



# Slide Compound Miter Saw LS1110F 255 - 260 mm (10 - 10-1/4")



LED job light with cut line guide function

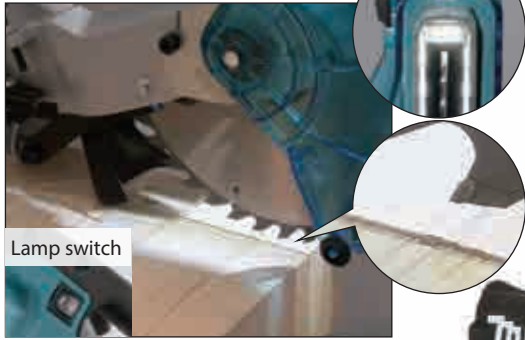


\*Max cutting width:  
**310 mm**

\*Max cutting height:  
**91 mm**

\*with 260mm (10-1/4") saw blade

### LED job light with cut line guide function



Lamp switch

LED job light casts a shadow of the saw blade onto the workpiece as an exact cutting line. By aligning the shadow with the ink line on the workpiece, you can make an exact cut.

**Carrying handle**  
for easy transportation to job site

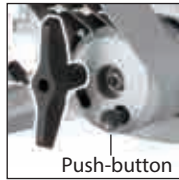
**Soft grip**

**Sub base**  
can be pulled out for more stable cutting of wide workpiece.

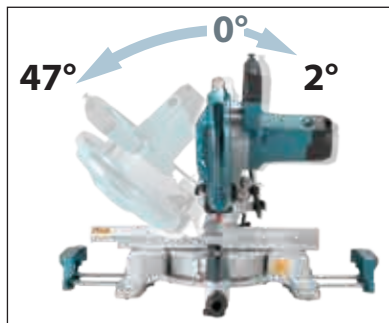
### Bevel range of 47° left and 2° right

Easy bevel angle change from 45° to 47° left and from 0° to 2° right with simple operation of a push-button

**Lever**  
(for bevel angle)



Push-button



### Slide style sub fence



(left side only)

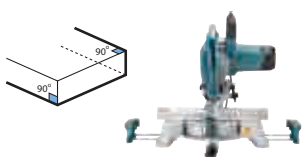
### Miter range of 47° left and 47° right



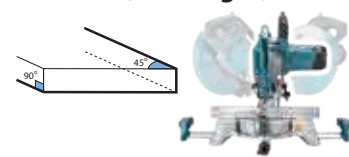
### Cutting capacity (height x width)

with 260mm (10-1/4") saw blade

#### Cross Cut

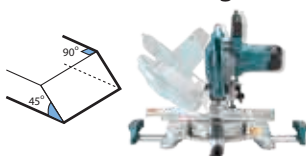


#### Miter Cut (left & right)



Miter 0° Bevel 0°	91 x 310 mm (3-5/8 x 12-1/4")	Miter 45° left / right Bevel 0°	91 x 220mm (3-5/8 x 8-5/8")
----------------------	----------------------------------	------------------------------------	--------------------------------

#### Bevel Cut (left & right)



#### Compound Cut



Miter 0° Bevel 45° left	50 x 310mm (2 x 12-1/4")	Miter 45° left / right Bevel 45° left	50 x 220mm (2 x 8-5/8")
Miter 0° Bevel 2° right	85 x 310mm (3-3/8 x 12-1/4")		

### Accessories

#### Miter Saw Stand WST06



### Slide Compound Miter Saw

#### LS1110F 255 - 260 mm (10 - 10-1/4")

Double Insulation	Continuous rating Input	1,450W
Brake	Wheel diameter	255 - 260 mm (10 - 10-1/4")
Soft Start	Bevel angle	Left: 47° / Right: 2°
Dust Collection	Miter angle	Left: 47° / Right: 47°
Built-in Job Light	No load speed (RPM)	4,500 min <sup>-1</sup>
	Sound pressure level	91 dB (A)
	Sound power level	102 dB (A)
	Dimensions (L x W x H)	745 x 497 x 565 mm (29-1/4 x 19-1/2 x 22-1/4")
	Net weight	16.4 kg (36.2 lbs.)
	Power supply cord	2.0 m (6.6 ft)

Standard Equipment : TCT saw blade, Vertical vise, Dust bag, Hex wrench

Weight according to EPTA-Procedure 01/2014

Items of standard equipment and specifications may vary by country or area.

# Makita Corporation

3-11-8 Sumiyoshi-cho, Anjo, Aichi, 446-8502 Japan

PRINTED IN JAPAN 202312