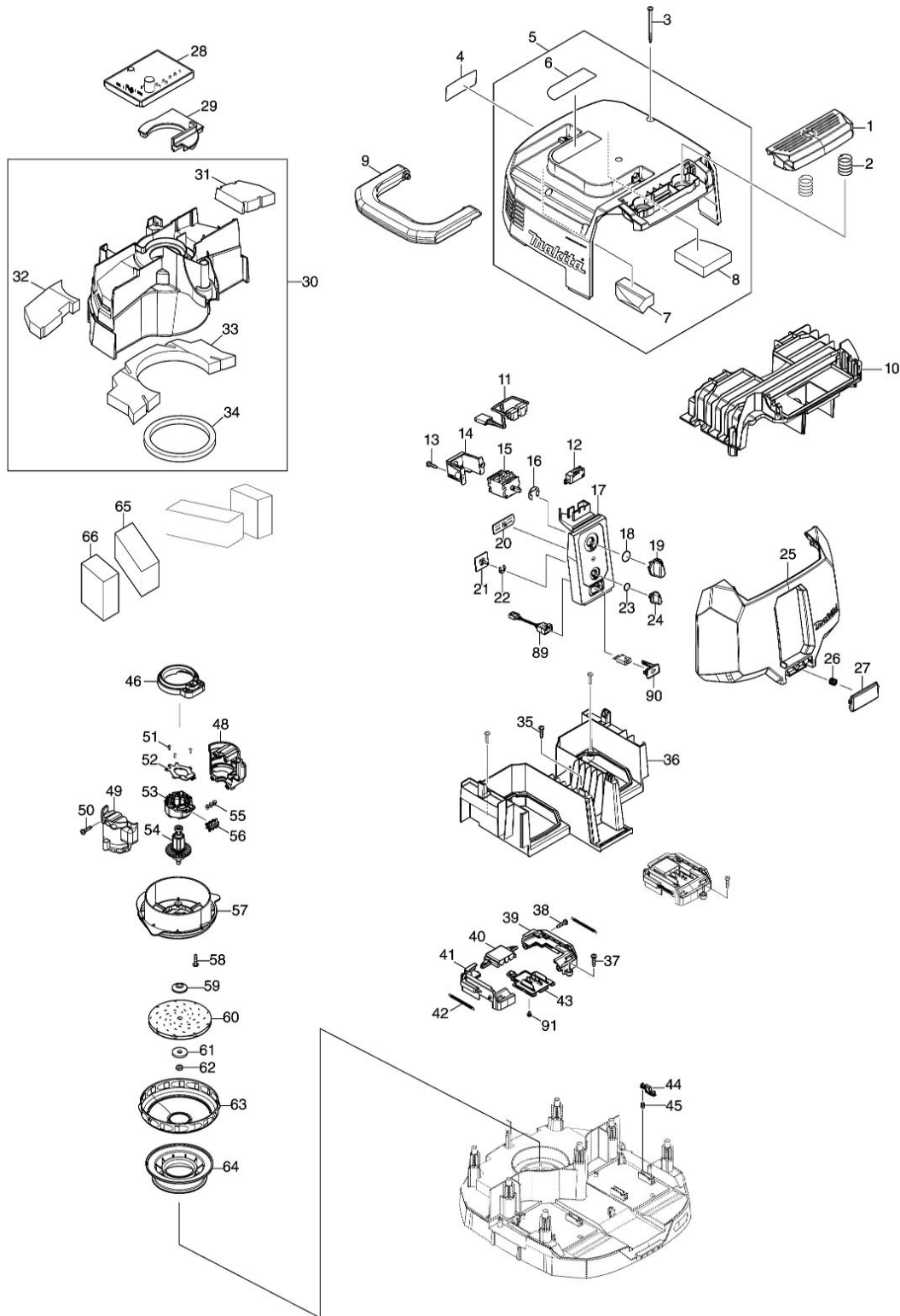


Model No.VC004GL CORDLESS VACUUM CLEANER



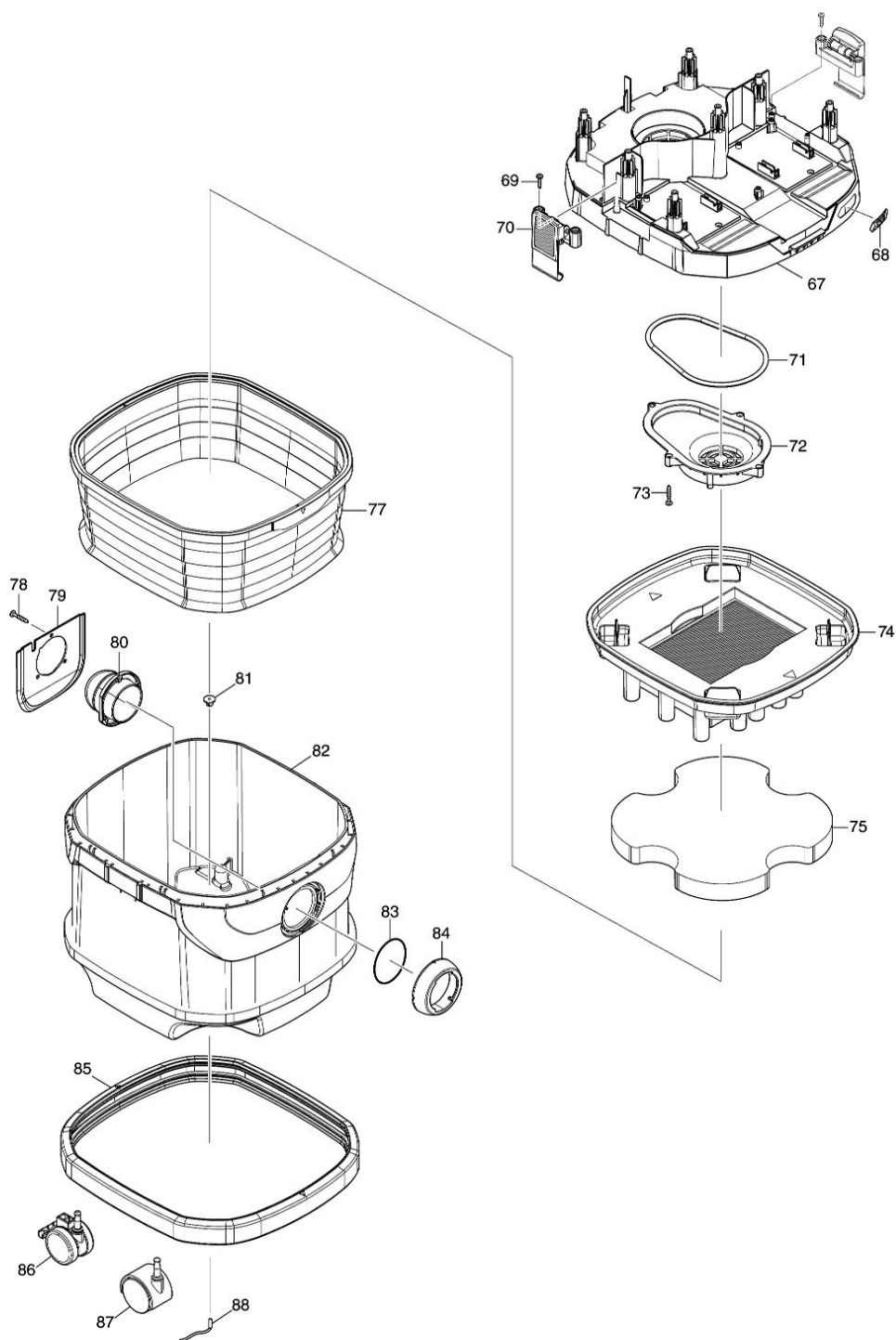
| Nr. | Part nr. | Name |
|--------|----------|--------------------------------|
| 001 | 413B26-9 | Schakelknop VC001GL |
| 002 | 234273-5 | Drukveer 20Mm Vc3211M |
| 003 | 266340-8 | Tap Schroef 4X65Mm |
| 004 | 8112M5-6 | Naamplaat VC004GL |
| 005 | 141F80-4 | Koppeling cpl VC002GL |
| 006 | 813A18-6 | Label waarschuw VC001GL |
| 007 | 422796-7 | Dempring A VC001GL |
| 008 | 422797-5 | Dempring B VC001GL |
| 009 | 413B27-7 | Handgreep VC001GL |
| 010 | 413B33-2 | Bovenhuis VC001GL |
| 011 | 638A19-1 | Kabelboom VC002GL |
| 012 | 651910-0 | Schakelaar D2Vw-01-3Hs |
| 013 | 266326-2 | Tap Schroef 4X18mm P |
| 014 | 451343-7 | Schakelaar Houder Vc2510L |
| 015 | 650014-5 | Schakelaar VC002GL |
| 016 | 961062-2 | Borg Ring E12 Vc2510L |
| 017 | 141F76-5 | Schakelaarbasis VC002GL |
| 017C10 | 8040N0-8 | Label indicatie VC002 |
| 018 | 213176-6 | O-Ring 14 Hm1214C |
| 019 | 455733-6 | Schakelhendel Dvc860 |
| 020 | 620F40-4 | Indicatielabel circuit VC001GL |
| 021 | 620D39-7 | Controller sub DVC157L |
| 022 | 961013-5 | Stopring E-7 |
| 023 | 213054-0 | O-Ring 9 |
| 024 | 451344-5 | Schakelknop Vc2510L |
| 025 | 413B29-3 | Batterijdeksel VC002GL |
| 026 | 231456-8 | Drukveer 7 9629/39S * |
| 027 | 413B30-8 | Batterijdekselhaak VC001GL |
| 028 | 620F38-1 | Controller VC002GL |
| 029 | 422795-9 | Afdekkap VC001GL |
| 030 | 141F84-6 | Wisselaar cpl VC001GL |
| 031 | 422802-8 | Stootbuffer E VC001GL |
| 032 | 422801-0 | Stootbuffer D VC001GL |
| 033 | 422799-1 | Stootbuffer B VC001GL |
| 034 | 422804-4 | Pakking A VC001GL |
| 035 | 266326-2 | Tap Schroef 4X18mm P |
| 036 | 413B31-6 | Onderhuis VC001GL |
| 037 | 266326-2 | Tap Schroef 4X18mm P |
| 038 | 266326-2 | Tap Schroef 4X18mm P |
| 039 | 183U06-0 | Behuizingset VC001GL |
| 040 | 413B40-5 | Afdekkap VC001GL |
| 041 | 183U06-0 | Behuizingset VC001GL |
| 042 | 232722-6 | Stelveer 4 VC001GL |
| 043 | 632T08-2 | Circuitunit VC001GL |
| 044 | 413B41-3 | Borghendel VC001GL |
| 045 | 232472-3 | Drukveer 2mm JR001G |

| Nr. | Part nr. | Name |
|--------|----------|------------------------------|
| 046 | 422794-1 | Ring VC001GL |
| 048 | 183U05-2 | Motorhuis VC001GL |
| 049 | 183U05-2 | Motorhuis VC001GL |
| 050 | 266326-2 | Tap Schroef 4X18mm P |
| 051 | 266490-9 | Parker Ck 2X6Mm DDF483 P |
| 052 | 620F39-9 | Controller B VC001GL |
| 053 | 629A83-3 | Veld VC001GL |
| 054 | 619704-9 | Anker assy VC001GL |
| 055 | 652069-6 | Kruiskop Schroef M3X6 |
| 056 | 632S88-2 | Kabelboom VC001GL |
| 057 | 413B45-5 | Waaierplaat VC001GL |
| 058 | 266326-2 | Tap Schroef 4X18mm P |
| 059 | 313062-2 | Tussenflens Dvc260 |
| 060 | 240178-9 | Waaier 104 Dvc862 |
| 061 | 253752-4 | Sluistring 8 |
| 062 | 252268-6 | Moer M6 DVC660 A |
| 063 | 347171-5 | Waaierkap 104 Dvc862 |
| 064 | 422793-3 | Hulpring VC001GL |
| 065 | 422803-6 | Blokfilter A VC001GL |
| 066 | 422819-1 | Blokfilter B VC001GL |
| 067 | 141F83-8 | Afdekkap cpl VC001GL |
| 067C10 | 422798-3 | Stootbuffer A VC001GL |
| 068 | 8030S0-0 | Label XGT UB001G |
| 069 | 266326-2 | Tap Schroef 4X18mm P |
| 070 | 162A10-2 | Sluiting VC001GL |
| 071 | 422805-2 | Pakking VC001GL |
| 072 | 413B22-7 | Onderketel VC001GL |
| 073 | 266374-1 | Tapschroef 4X25 Ga7020 |
| 074 | 191V70-3 | Poederfilter VC002GL |
| 075 | 191V68-0 | Buffer VC002GL |
| 077 | 191V69-8 | Voorfilterset VC002GL |
| 078 | 266374-1 | Tapschroef 4X25 Ga7020 |
| 079 | 457853-2 | Plaathouder VC001GL |
| 080 | 457852-4 | Houder VC001GL |
| 081 | 421468-1 | Klem Vc2510L |
| 082 | 457855-8 | Ketel VC003GL |
| 083 | 213655-4 | O-Ring 56 |
| 084 | 457851-6 | Inlaat VC001GL |
| 085 | 422176-7 | Buffer VC001GL |
| 086 | 168535-8 | Zwenkwiel 50Mm M/Rem Vc1310L |
| 087 | 168434-4 | Zwenkwiel 50Mm Vc1310L |
| 088 | 649150-2 | Aardleiding 430Y |
| 089 | 632L47-4 | Stekker DHR400 |
| 090 | 140G18-2 | Kap DVC265 |
| 090C10 | 213A05-9 | O-ring 16 SP001G |
| 090C20 | 818F57-1 | Label kap DVC265 |



| Nr. | Part nr. | Name |
|-----|----------|--------------|
| 091 | 652031-1 | Schroef M3X6 |

Model No.VC004GL CORDLESS VACUUM CLEANER



| Nr. | Part nr. | Name |
|--------|----------|--------------------------------|
| 001 | 413B26-9 | Schakelknop VC001GL |
| 002 | 234273-5 | Drukveer 20Mm Vc3211M |
| 003 | 266340-8 | Tap Schroef 4X65Mm |
| 004 | 8112M5-6 | Naamplaat VC004GL |
| 005 | 141F80-4 | Koppeling cpl VC002GL |
| 006 | 813A18-6 | Label waarschuw VC001GL |
| 007 | 422796-7 | Dempring A VC001GL |
| 008 | 422797-5 | Dempring B VC001GL |
| 009 | 413B27-7 | Handgreep VC001GL |
| 010 | 413B33-2 | Bovenhuis VC001GL |
| 011 | 638A19-1 | Kabelboom VC002GL |
| 012 | 651910-0 | Schakelaar D2Vw-01-3Hs |
| 013 | 266326-2 | Tap Schroef 4X18mm P |
| 014 | 451343-7 | Schakelaar Houder Vc2510L |
| 015 | 650014-5 | Schakelaar VC002GL |
| 016 | 961062-2 | Borg Ring E12 Vc2510L |
| 017 | 141F76-5 | Schakelaarbasis VC002GL |
| 017C10 | 8040N0-8 | Label indicatie VC002 |
| 018 | 213176-6 | O-Ring 14 Hm1214C |
| 019 | 455733-6 | Schakelhendel Dvc860 |
| 020 | 620F40-4 | Indicatielabel circuit VC001GL |
| 021 | 620D39-7 | Controller sub DVC157L |
| 022 | 961013-5 | Stopring E-7 |
| 023 | 213054-0 | O-Ring 9 |
| 024 | 451344-5 | Schakelknop Vc2510L |
| 025 | 413B29-3 | Batterijdeksel VC002GL |
| 026 | 231456-8 | Drukveer 7 9629/39S * |
| 027 | 413B30-8 | Batterijdekselhaak VC001GL |
| 028 | 620F38-1 | Controller VC002GL |
| 029 | 422795-9 | Afdekkap VC001GL |
| 030 | 141F84-6 | Wisselaar cpl VC001GL |
| 031 | 422802-8 | Stootbuffer E VC001GL |
| 032 | 422801-0 | Stootbuffer D VC001GL |
| 033 | 422799-1 | Stootbuffer B VC001GL |
| 034 | 422804-4 | Pakking A VC001GL |
| 035 | 266326-2 | Tap Schroef 4X18mm P |
| 036 | 413B31-6 | Onderhuis VC001GL |
| 037 | 266326-2 | Tap Schroef 4X18mm P |
| 038 | 266326-2 | Tap Schroef 4X18mm P |
| 039 | 183U06-0 | Behuizingset VC001GL |
| 040 | 413B40-5 | Afdekkap VC001GL |
| 041 | 183U06-0 | Behuizingset VC001GL |
| 042 | 232722-6 | Stelveer 4 VC001GL |
| 043 | 632T08-2 | Circuitunit VC001GL |
| 044 | 413B41-3 | Borghendel VC001GL |
| 045 | 232472-3 | Drukveer 2mm JR001G |

| Nr. | Part nr. | Name |
|--------|----------|------------------------------|
| 046 | 422794-1 | Ring VC001GL |
| 048 | 183U05-2 | Motorhuis VC001GL |
| 049 | 183U05-2 | Motorhuis VC001GL |
| 050 | 266326-2 | Tap Schroef 4X18mm P |
| 051 | 266490-9 | Parker Ck 2X6Mm DDF483 P |
| 052 | 620F39-9 | Controller B VC001GL |
| 053 | 629A83-3 | Veld VC001GL |
| 054 | 619704-9 | Anker assy VC001GL |
| 055 | 652069-6 | Kruiskop Schroef M3X6 |
| 056 | 632S88-2 | Kabelboom VC001GL |
| 057 | 413B45-5 | Waaierplaat VC001GL |
| 058 | 266326-2 | Tap Schroef 4X18mm P |
| 059 | 313062-2 | Tussenflens Dvc260 |
| 060 | 240178-9 | Waaier 104 Dvc862 |
| 061 | 253752-4 | Sluiring 8 |
| 062 | 252268-6 | Moer M6 DVC660 A |
| 063 | 347171-5 | Waaierkap 104 Dvc862 |
| 064 | 422793-3 | Hulpring VC001GL |
| 065 | 422803-6 | Blokfilter A VC001GL |
| 066 | 422819-1 | Blokfilter B VC001GL |
| 067 | 141F83-8 | Afdekkap cpl VC001GL |
| 067C10 | 422798-3 | Stootbuffer A VC001GL |
| 068 | 8030S0-0 | Label XGT UB001G |
| 069 | 266326-2 | Tap Schroef 4X18mm P |
| 070 | 162A10-2 | Sluiting VC001GL |
| 071 | 422805-2 | Pakking VC001GL |
| 072 | 413B22-7 | Onderketel VC001GL |
| 073 | 266374-1 | Tapschroef 4X25 Ga7020 |
| 074 | 191V70-3 | Poederfilter VC002GL |
| 075 | 191V68-0 | Buffer VC002GL |
| 077 | 191V69-8 | Voorfilterset VC002GL |
| 078 | 266374-1 | Tapschroef 4X25 Ga7020 |
| 079 | 457853-2 | Plaathouder VC001GL |
| 080 | 457852-4 | Houder VC001GL |
| 081 | 421468-1 | Klem Vc2510L |
| 082 | 457855-8 | Ketel VC003GL |
| 083 | 213655-4 | O-Ring 56 |
| 084 | 457851-6 | Inlaat VC001GL |
| 085 | 422176-7 | Buffer VC001GL |
| 086 | 168535-8 | Zwenkwiel 50Mm M/Rem Vc1310L |
| 087 | 168434-4 | Zwenkwiel 50Mm Vc1310L |
| 088 | 649150-2 | Aardleiding 430Y |
| 089 | 632L47-4 | Stekker DHR400 |
| 090 | 140G18-2 | Kap DVC265 |
| 090C10 | 213A05-9 | O-ring 16 SP001G |
| 090C20 | 818F57-1 | Label kap DVC265 |



| Nr. | Part nr. | Name |
|-----|----------|--------------|
| 091 | 652031-1 | Schroef M3X6 |