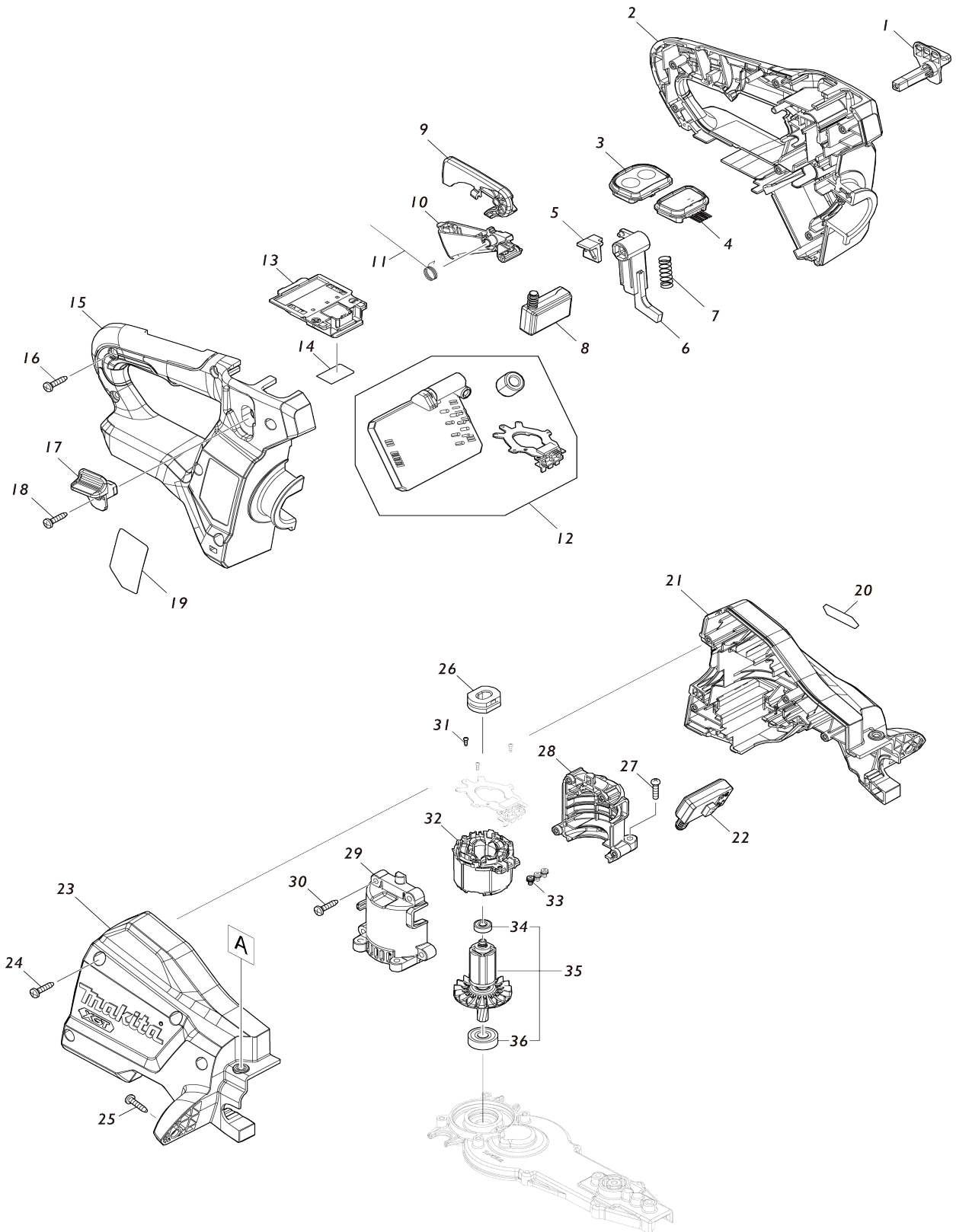
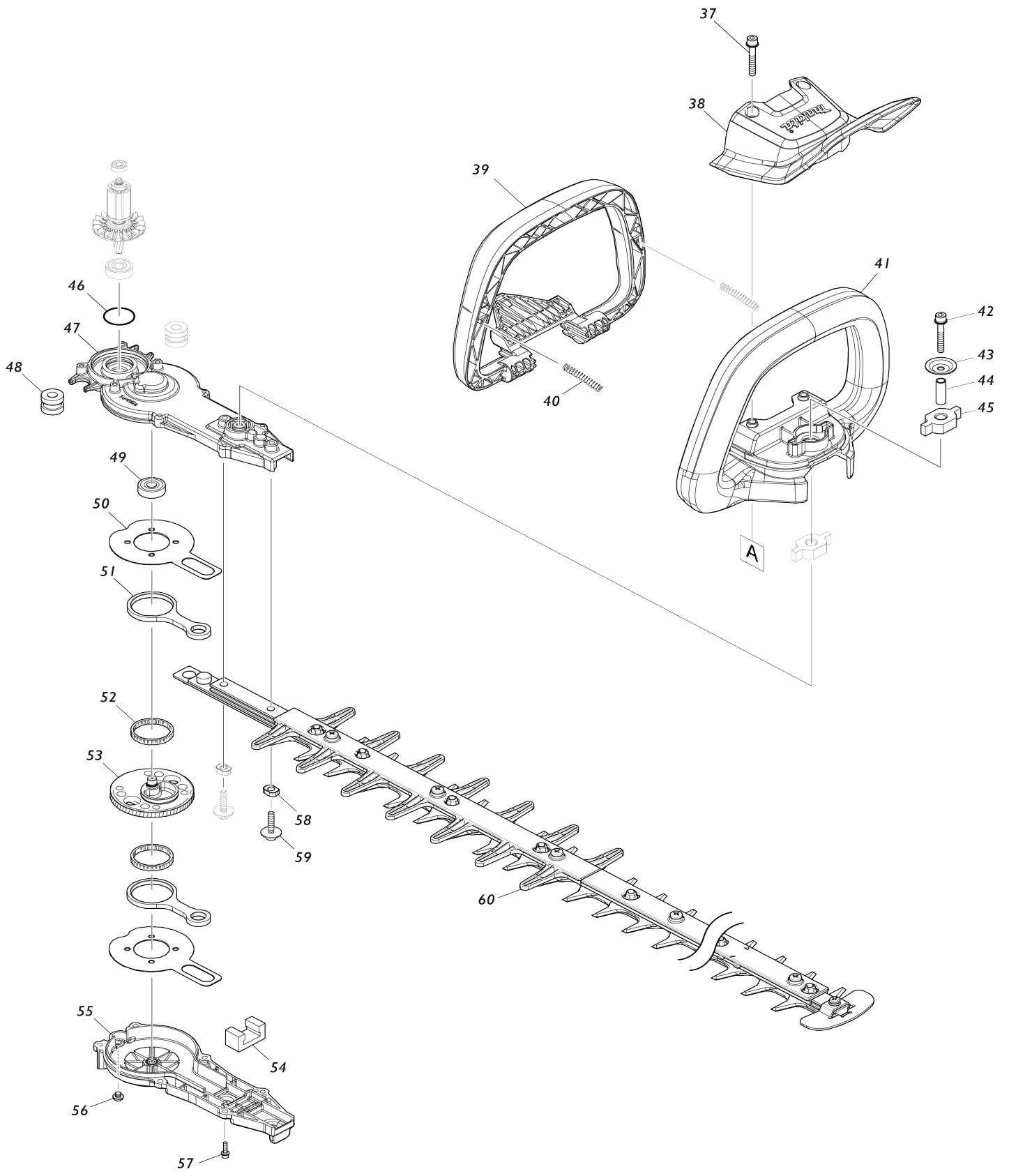


# Model No.UH006G Cordless Hedge Trimmer



# Model No.UH006G Cordless Hedge Trimmer



# Model No.UH006G Cordless Hedge Trimmer

Item No.	Parts No.	Description	Interchangeability	Q'ty	New/Old	Note1	Note2
001	458406-0	Lock lever L		1			
002	183T66-6	Handle set		1	*		
C10	263005-3	Rubber pin 6		2	*		
C20	8034N8-3	Caution label		1	*		
002		INC. 15			*		
002-1	1830P7-4	Handle set	O	1	*		
C10	263005-3	Rubber pin 6		2	*		
C20	8074J9-5	Caution label		1	*		
002-1		INC. 15			*		
002-2	1830P7-4	Handle set	O	1			
C10	263005-3	Rubber pin 6		2			
C20	8074J9-5	Caution label		1			
002-2		INC. 15					
003	141D66-6	Switch circuit complete E		1			
C10	8034K3-2	Switch label		1			
004	140W63-3	Indication circuit complete		1			
005	458570-7	Slider		1			
006	458405-2	Lock arm		1			
007	234204-4	Compression spring 8		1			
008	651083-9	Switch C3XA-1PSPM		1			
009	458403-6	Lock off lever		1			
010	413792-6	Switch lever R		1			
011	232454-5	Torsion spring 10		1			
012	620E56-3	Controller		1	*		
C10	688163-8	Line filter		1	*		
C20	688164-6	Line filter		1	*		
012-1	620N07-0	Controller	<	1			
C10	688163-8	Line filter		1			
C20	688164-6	Line filter		1			
013	632P64-8	Terminal unit		1			
014	811J28-1	Serial No. label UH006G		1			
015	183T66-6	Handle set		1	*		
C10	263005-3	Rubber pin 6		2	*		
C20	8034N8-3	Caution label		1	*		
015		INC. 2			*		
015-1	1830P7-4	Handle set	O	1	*		
C10	263005-3	Rubber pin 6		2	*		
C20	8074J9-5	Caution label		1	*		
015-1		INC. 2			*		
015-2	1830P7-4	Handle set	O	1			
C10	263005-3	Rubber pin 6		2			
C20	8074J9-5	Caution label		1			
015-2		INC. 2					
016	266326-2	Binding head tapping screw 4X18		6			
017	458407-8	Lock lever R		1			
018	266326-2	Binding head tapping screw 4X18		1			

019	811J22-3	Name plate UH006G		1		
020	8025F3-0	XGT logo label		1		
021	183S95-3	Housing set		1		
C10	424344-8	Damper		4		
021		INC. 23				
022	651083-9	Switch C3XA-1PSPM		1		
023	183S95-3	Housing set		1		
C10	424344-8	Damper		4		
023		INC. 21				
024	266326-2	Binding head tapping screw 4X1 8		4		
025	266326-2	Binding head tapping screw 4X1 8		2		
026	422261-6	Rubber sleeve		1		
027	911128-8	Pan head screw M4X16 WR		4		
028	183S94-5	Motor housing set		1		
028		INC. 29				
029	183S94-5	Motor housing set		1		
029		INC. 28				
030	266326-2	Binding head tapping screw 4X1 8		4		
031	266490-9	Pan head tapping screw 2X6		3		
032	629A75-2	Stator		1		
033	652069-6	Flat head screw M3X6		3		
034	211157-4	Ball bearing 695ZZ		1		
035	519695-3	Rotor assembly		1		
035		INC. 34,36				
036	210005-4	Ball bearing 608DDW		1		
037	265182-7	Pan head screw M5X25		2		
038	458399-1	Protector		1		
039	458402-8	Switch lever F		1		
040	233222-9	Compression spring 5		2		
041	413791-8	Front grip E		1		
042	251476-6	Hex. socket head bolt M5X35 WR		1	*	
042-1	265D13-4	Hex. socket head bolt M5X35 WR M	O	1	*	
042-2	265E44-9	Hex. socket head bolt M5X35 WR M	<	1		
043	253416-0	Dish washer 5		1		
044	257678-2	Sleeve 6		1		
045	422260-8	Rubber sleeve 8		2		
046	213961-7	O-ring 22		1		
047	141C50-5	Gear housing complete		1	*	
C10	263002-9	Rubber pin 4		1	*	
C20	424344-8	Damper		1	*	
047-1	141C50-5	Gear housing complete	O	1		
C10	263002-9	Rubber pin 4		1		
C20	424344-8	Damper		1		
048	422725-0	Rubber sleeve 8		2		
049	211032-4	Ball bearing 608ZZ		1		
050	347361-0	Friction plate		2		
051	347662-6	Connecting rod		2		
052	212229-8	Needle cage 315		2		

053	141C49-0	Gear complete		1		
054	443159-4	Seal		1		
055	141C46-6	Gear housing cover complete		1	*	
055-1	141H42-4	Gear housing cover complete	O	1		
056	266559-9	Hex. socket button head bolt M6 X4		1		
057	922128-3	Hex. socket head bolt M4X16 WR		6		
058	257859-8	Sleeve 5		2		
059	265A89-3	Hex. socket head bolt M5X25 WR		2		
060	191R55-5	Shear blade 600 R set		1	*	
C10	199450-5	Grease vessel set		1	*	
C20	413794-2	Guard R		1	*	
C30	413795-0	Spacer 600R		1	*	
C40	915211-3	Binding head screw M5X12		5	*	
060		INC, 58			*	
060-1	191R55-5	Shear blade 600 R set	O	1		
C10	199450-5	Grease vessel set		1		
C20	413794-2	Guard R		1		
C30	413795-0	Spacer 600R		1		
C40	915211-3	Binding head screw M5X12		5		
C50	347B07-0	Branch catcher		1		
C60	911208-0	Pan head screw M5X10 WR		1	*	
C61	911208-0	Pan head screw M5X10 WR	<	1		
C70	265C92-6	Collared hex. lock nut M5-8		7		
C80	257899-6	Sleeve 5		7		
C85	253553-0	Flat washer 5		7		
C90	265C91-8	Truss head screw M5X22		7		
060-1		INC, 58				
A01	412911-1	Blade cover 600		1		
A04B	***DC40RA	DC40RA FAST CHARGER		1		
A04B		COMPO-PARTS				
A05B	191B36-3	Battery BL4025 set		2		
A06B	412393-7	Battery cover		1		
E01	800A66-4	Sound 91dB label		1	*	
E01-1	807949-3	Sound 94dB label	<	1		
F01	191R51-3	Chip receiver 600E set		1		
F02	191R55-5	Shear blade 600 R set		1		
F03	199450-5	Grease vessel set		1		

Please state Parts No. when your order.

Print Date 03/23/2026