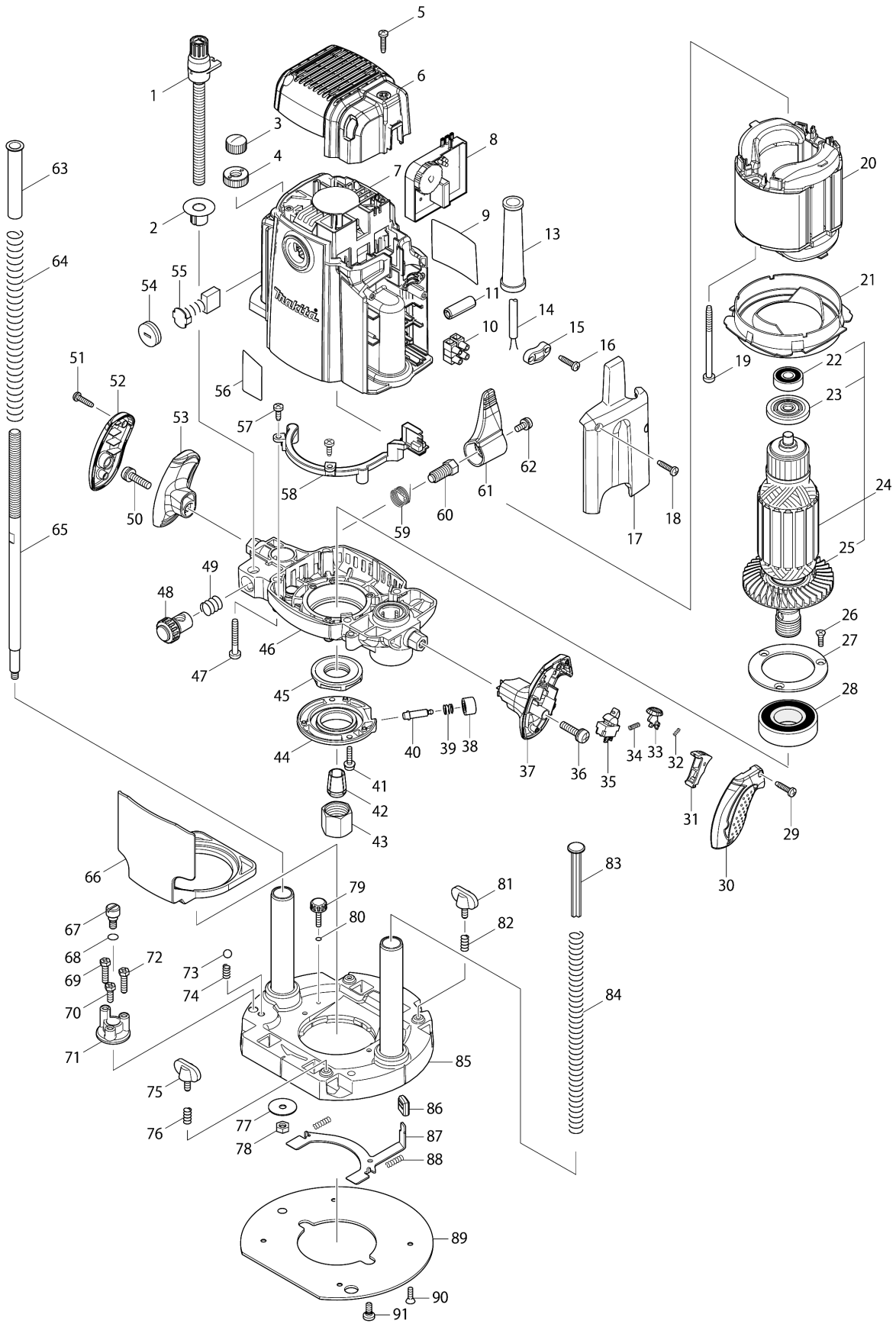


Model No.RP2302FC ROUTER



Model No.RP2302FC ROUTER

| Item | Parts No. | Description | I/C | Qty | New/Old | Opt. 1 | Opt. 2 | Note |
|------|-----------|--------------------------------|-----|-----|---------|--------|--------|------|
| 001 | 125542-4 | THUMB SCREW M10X115 ASS'Y | | 1 | | | | |
| 002 | 450946-4 | DEPTH POINTER | | 1 | | | | |
| 003 | 252643-6 | WING NUT M10 | | 1 | | | | |
| 004 | 410129-8 | NYLON NUT M10 | | 1 | | | | |
| 005 | 265995-6 | TAPPING SCREW 4X18 | | 2 | | | | |
| 006 | 413B16-2 | REAR COVER | | 1 | | | | |
| 007 | 141F97-7 | MOTOR HOUSING COMPLETE | | 1 | | | | |
| C10 | 643707-1 | BRUSH HOLDER | | 2 | | | | |
| C20 | 816923-0 | SCALE PLATE | | 1 | | | | |
| 008 | 620H06-6 | CONTROLLER | | 1 | | | | |
| 009 | 8113F5-3 | RP2302FC NAME PLATE | | 1 | | | | |
| 010 | 654531-7 | TERMINAL BLOCK 2P | | 1 | | | | |
| 013 | 682505-8 | CORD GUARD 10-90 | | 1 | | | | |
| 014 | 695123-3 | POWER SUPPLY CORD 1.5-2-4.0 | | 1 | | | | |
| 015 | 687053-2 | STRAIN RELIEF | | 1 | | | | |
| 016 | 265995-6 | TAPPING SCREW 4X18 | | 2 | | | | |
| 017 | 450949-8 | COVER | | 1 | | | | |
| 018 | 265995-6 | TAPPING SCREW 4X18 | | 2 | | | | |
| 019 | 266059-9 | TAPPING SCREW 5X75 | | 2 | | | | |
| 020 | 636344-8 | FIELD 240V | | 1 | | | | |
| 021 | 450944-8 | BUFFLE PLATE | | 1 | | | | |
| 022 | 211092-6 | BALL BEARING 629DDW | | 1 | | | | |
| 023 | 681631-0 | INSULATION WASHER | | 1 | | | | |
| 024 | 517808-0 | ARMATURE ASS'Y 220-240V | | 1 | | | | |
| D10 | | INC. 22,23,25 | | | | | | |
| 025 | 240112-9 | FAN 80 | | 1 | | | | |
| 026 | 251295-0 | + COUNTERSUNK HEAD SCREW M4X14 | | 3 | | | | |
| 027 | 285731-4 | BEARING RETAINER 60 | | 1 | | | | |
| 028 | 211380-1 | BALL BEARING 6205DDW | | 1 | | | | |
| 029 | 265995-6 | TAPPING SCREW 4X18 | | 2 | | | | |
| 030 | 450937-5 | GRIP COVER R | | 1 | | | | |
| 031 | 450940-6 | SWITCH LEVER | | 1 | | | | |
| 032 | 233024-3 | COMPRESSION SPRING 4 | | 1 | | | | |
| 033 | 450941-4 | LOCK OFF BUTTON | | 1 | | | | |
| 034 | 231372-4 | COMPRESSION SPRING 5 | | 1 | | | | |
| 035 | 651432-0 | SWITCH | | 1 | | | | |
| 036 | 911343-4 | PAN HEAD SCREW M6X25 | | 1 | | | | |
| 037 | 450936-7 | GRIP R | | 1 | | | | |
| 038 | 450942-2 | PUSH BUTTON | | 1 | | | | |
| 039 | 233072-2 | COMPRESSION SPRING 8 | | 1 | | | | |
| 040 | 268234-3 | COLLARED PIN 6 | | 1 | | | | |
| 041 | 911133-5 | PAN HEAD SCREW M4X18 | | 2 | | | | |
| 042 | 763628-2 | COLLET CONE 12MM | | 1 | | | | |
| 043 | 763674-5 | COLLET NUT | | 1 | | | | |

Please order the parts with part number.

Print Date 6/11/2023

Model No.RP2302FC ROUTER

| Item | Parts No. | Description | I/C | Qty | New/Old | Opt. 1 | Opt. 2 | Note |
|--------|-----------|-------------------------------|-----|-----|---------|--------|--------|------|
| 044 | 318382-9 | RETAINER COVER | | 1 | | | | |
| 045 | 285849-1 | RETAINER | | 1 | | | | |
| 046 | 158972-4 | MOTOR BRACKET COMPLETE | | 1 | | | | |
| 047 | 266012-5 | TAPPING SCREW 5X35 | | 4 | | | | |
| 048 | 153476-1 | HALF NUT COMPLETE | | 1 | | | | |
| 049 | 231231-2 | COMPRESSION SPRING 12 | | 1 | | | | |
| 050 | 911343-4 | PAN HEAD SCREW M6X25 | | 1 | | | | |
| 051 | 265995-6 | TAPPING SCREW 4X18 | | 2 | | | | |
| 052 | 450939-1 | GRIP COVER L | | 1 | | | | |
| 053 | 450938-3 | GRIP L | | 1 | | | | |
| 054 | 643700-5 | BRUSH HOLDER CAP 7-18 | | 2 | | | | |
| 055 | 191953-5 | CARBON BRUSH CB-203 | | 1 | | | | |
| 056 | 8119E8-6 | INDICATION LABEL | | 1 | | | | |
| 057 | 266026-4 | TAPPING SCREW BIND CT 4X12 | | 2 | | | | |
| 058 | 631862-1 | LED CIRCUIT | | 1 | | | | |
| 059 | 233538-2 | TORSION SPRING 15 | | 1 | | | | |
| 060A | 266015-9 | SET BOLT M10 | | 1 | * | | | |
| 060-1A | 265C75-6 | SET BOLT M10 | O | 1 | | | | |
| 060-1B | 265C75-6 | SET BOLT M10 | | 1 | | | | |
| 061 | 450950-3 | LOCK LEVER | | 1 | | | | |
| 062 | 911213-7 | PAN HEAD SCREW M5X12 | | 1 | | | | |
| 063 | 450943-0 | SILENT POLE | | 1 | | | | |
| 064 | 234106-4 | COMPRESSION SPRING 13 | | 1 | | | | |
| 065 | 325652-9 | SCREW M10 | | 1 | | | | |
| 066 | 450953-7 | TIP DEFLECTOR | | 1 | | | | |
| 067 | 251467-7 | - FLAT HEAD SCREW M6 | | 1 | | | | |
| 068 | 213030-4 | O RING 8 | | 1 | | | | |
| 069 | 265587-1 | +HEX. BOLT M5X20 | | 1 | | | | |
| 070 | 265586-3 | +HEX. BOLT M5X14 | | 1 | | | | |
| 071 | 315931-3 | STOPPER | | 1 | | | | |
| 072 | 265587-1 | +HEX. BOLT M5X20 | | 1 | | | | |
| 073 | 216009-4 | STEEL BALL 7.1 | | 1 | | | | |
| 074 | 231419-4 | COMPRESSION SPRING 5 | | 1 | | | | |
| 075 | 265720-5 | THUMB SCREW M5X14 | | 1 | | | | |
| 076 | 231240-1 | COMPRESSION SPRING 7 | | 1 | | | | |
| 077 | 253783-3 | FLAT WASHER 6 | | 1 | | | | |
| 078 | 931303-0 | HEX. NUT M6 | | 1 | | | | |
| 079 | 265774-2 | THUMB SCREW M4X19 | | 1 | | | | |
| 080 | 213022-3 | O RING 3 | | 1 | | | | |
| 081 | 265720-5 | THUMB SCREW M5X14 | | 1 | | | | |
| 082 | 231240-1 | COMPRESSION SPRING 7 | | 1 | | | | |
| 083 | 417252-0 | POLE | | 1 | | | | |
| 084 | 234105-6 | COMPRESSION SPRING 11 | | 1 | | | | |
| 085 | 158973-2 | BASE COMPLETE | | 1 | | | | |
| 086 | 424176-3 | CAP 14 | | 1 | | | | |

Please order the parts with part number.

Print Date 6/11/2023

Model No.RP2302FC ROUTER

| Item | Parts No. | Description | I/C | Qty | New/Old | Opt. 1 | Opt. 2 | Note |
|--------|-----------|--------------------------------|-----|-----|---------|--------|--------|------|
| 087 | 346032-6 | LOCK PLATE | | 1 | | | | |
| 088 | 233105-3 | COMPRESSION SPRING 4 | | 2 | | | | |
| 089 | 450951-1 | BASE PLATE | | 1 | | | | |
| 090 | 912112-6 | COUNTERSUNK HEAD SCREW M4X10 | | 4 | | | | |
| 091 | 266016-7 | SET BOLT M5X10 | | 2 | | | | |
| A01 | 122850-4 | DUST NOZZLE ASS'Y | | 1 | | | | |
| C10 | 213022-3 | O RING 3 | | 1 | | | | |
| C20 | 265774-2 | THUMB SCREW M4X19 | | 1 | | | | |
| A02A | 266491-7 | +PAN HEAD SCREW M6X135 | | 1 | * | | | |
| A02-1A | 265C70-6 | +PAN HEAD SCREW M6X135 WITH R | S | 1 | | | | |
| A02-1B | 265C70-6 | +PAN HEAD SCREW M6X135 WITH R | | 1 | | | | |
| A03 | 763801-4 | COLLET SLEEVE FOR 6 MM BIT | | 1 | | | | |
| A04 | 763804-8 | COLLET SLEEVE FOR 8 MM BIT | | 1 | | | | |
| A05 | 781030-7 | WRENCH 24 | | 1 | | | | |
| A06A | 941152-7 | FLAT WASHER 6 | | 1 | * | | | |
| A07 | 194935-6 | STRAIGHT GUIDE SET | | 1 | | | | |
| C11 | 125582-2 | THUMB SCREW M10X52 ASS'Y | | 1 | | | | |
| C16 | 231399-4 | COMPRESSION SPRING 15 | | 1 | | | | |
| C21 | 251870-2 | SCREW M6X50 | | 1 | | | | |
| C26 | 256864-2 | ROD 10 | | 2 | | | | |
| C31 | 257284-3 | RING 10 | | 1 | | | | |
| C36 | 265720-5 | THUMB SCREW M5X14 | | 2 | | | | |
| C41 | 266035-3 | TAPPING SCREW BIND CT 5X12 | | 1 | | | | |
| C46 | 267070-4 | FLAT WASHER 10 | | 1 | | | | |
| C51 | 267209-9 | FLAT WASHER 5 | | 1 | | | | |
| C56 | 318383-7 | STRAIGHT GUIDE | | 1 | | | | |
| C61 | 318384-5 | GUIDE HOLDER | | 1 | | | | |
| C66 | 346069-3 | PRESSURE PLATE | | 1 | | | | |
| C71 | 450954-5 | GUIDE SHOE | | 2 | | | | |
| C76 | 819284-7 | MAKITA LOGO LABEL | | 1 | | | | |
| C81 | 911129-6 | PAN HEAD SCREW M4X16 | | 4 | | | | |
| C86 | 941251-5 | FLAT WASHER 10 | | 1 | | | | |
| C91 | 961012-7 | STOP RING E-6 | | 1 | | | | |
| A08 | 821552-6 | CONNECTOR PLASTIC CASE (TYPE4) | | 1 | | | | |
| C10 | 453974-8 | LATCH | | 4 | | | | |
| A09 | 8352F0-3 | INNER TRAY | | 1 | | | | |
| A10A | 8044L9-0 | RP2302FCXJ INDICATION LABEL | | 1 | | | | |
| A10B | 8070D1-5 | RP2302FC07 INDICATION LABEL | | 1 | | | | |
| A11A | 8044M1-3 | RP2302FCXJ PLASTIC CASE LABEL | | 2 | | | | |
| A11B | 8070D2-3 | RP2302FC07 PLASTIC CASE LABEL | | 2 | | | | |
| A13B | 344364-5 | TEMPLER GUIDE 16 | | 1 | | | | |

Please order the parts with part number.

Print Date 6/11/2023

Model No.RP2302FC ROUTER

| Item | Parts No. | Description | I/C | Qty | New/Old | Opt. 1 | Opt. 2 | Note |
|------|-----------|---------------------|-----|-----|---------|--------|--------|------|
| F01 | 199140-0 | GUIDE RAIL 1000 SET | | 1 | | | | |
| F69 | 194934-8 | DUST NOZZLE SET | | 1 | | | | |
| F72 | 195136-9 | STRAIGHT GUIDE SET | | 1 | | | | |
| F73 | 195137-7 | ROD 8 SET | | 1 | | | | |

Please order the parts with part number.

Print Date 6/11/2023