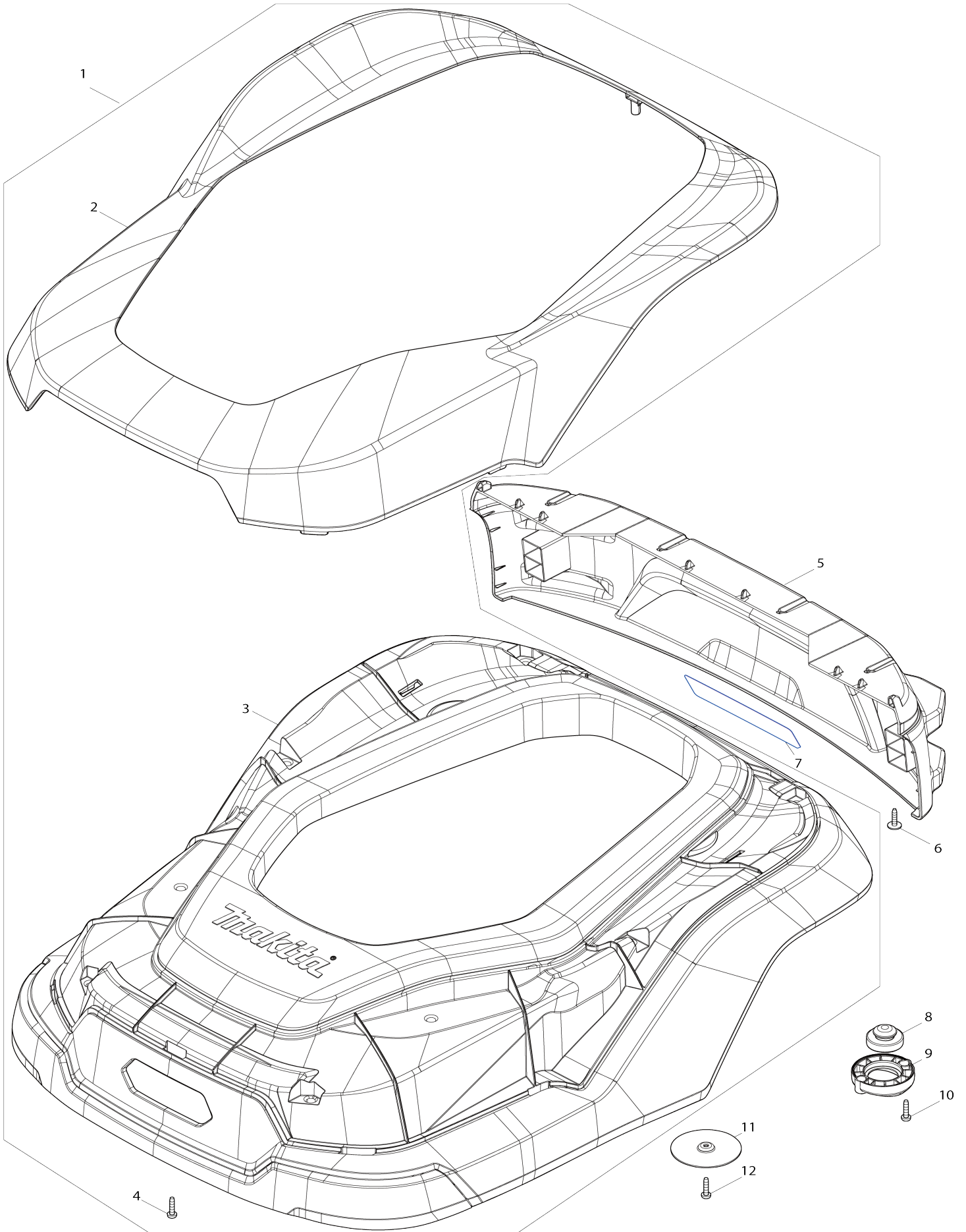
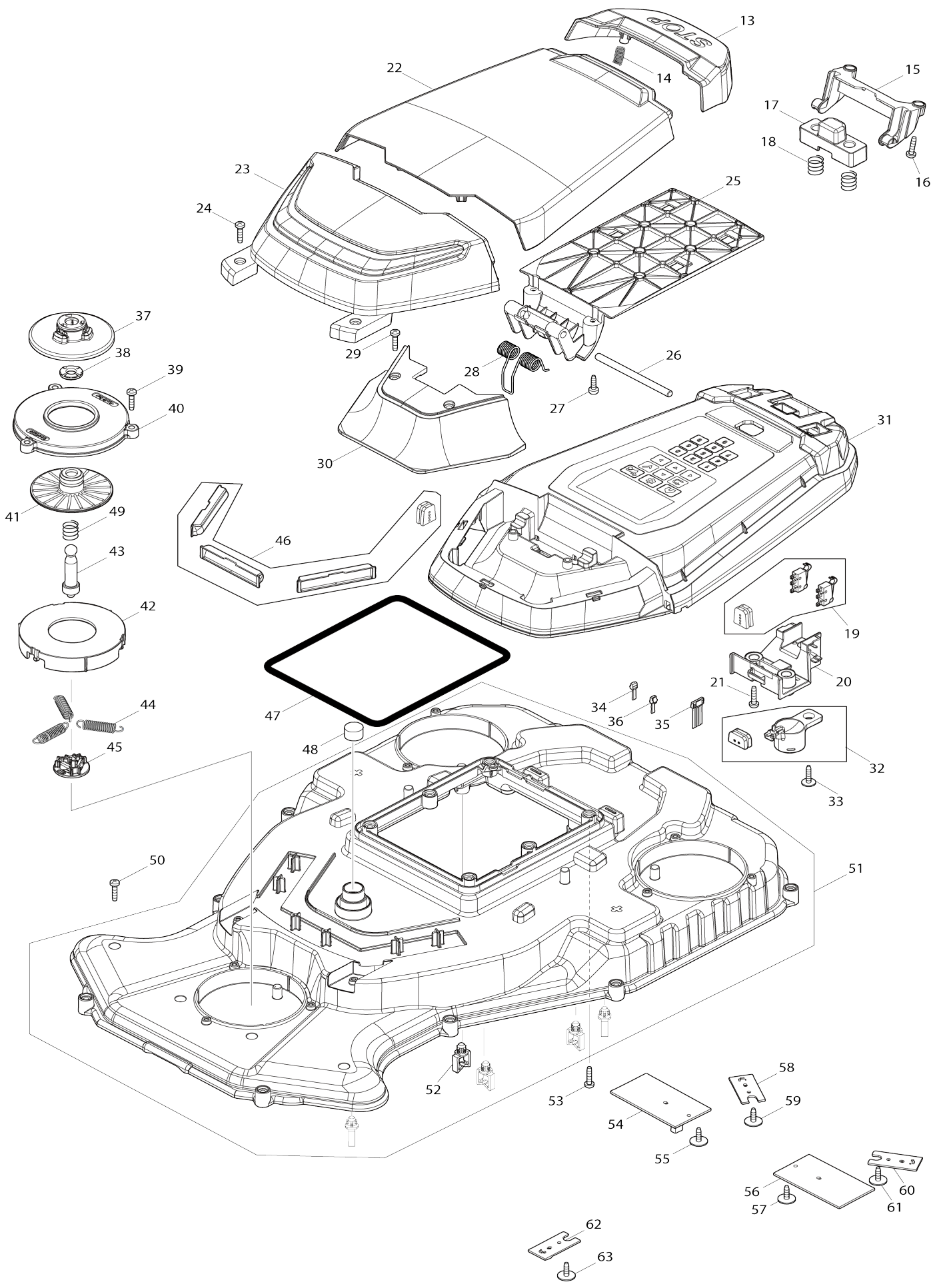


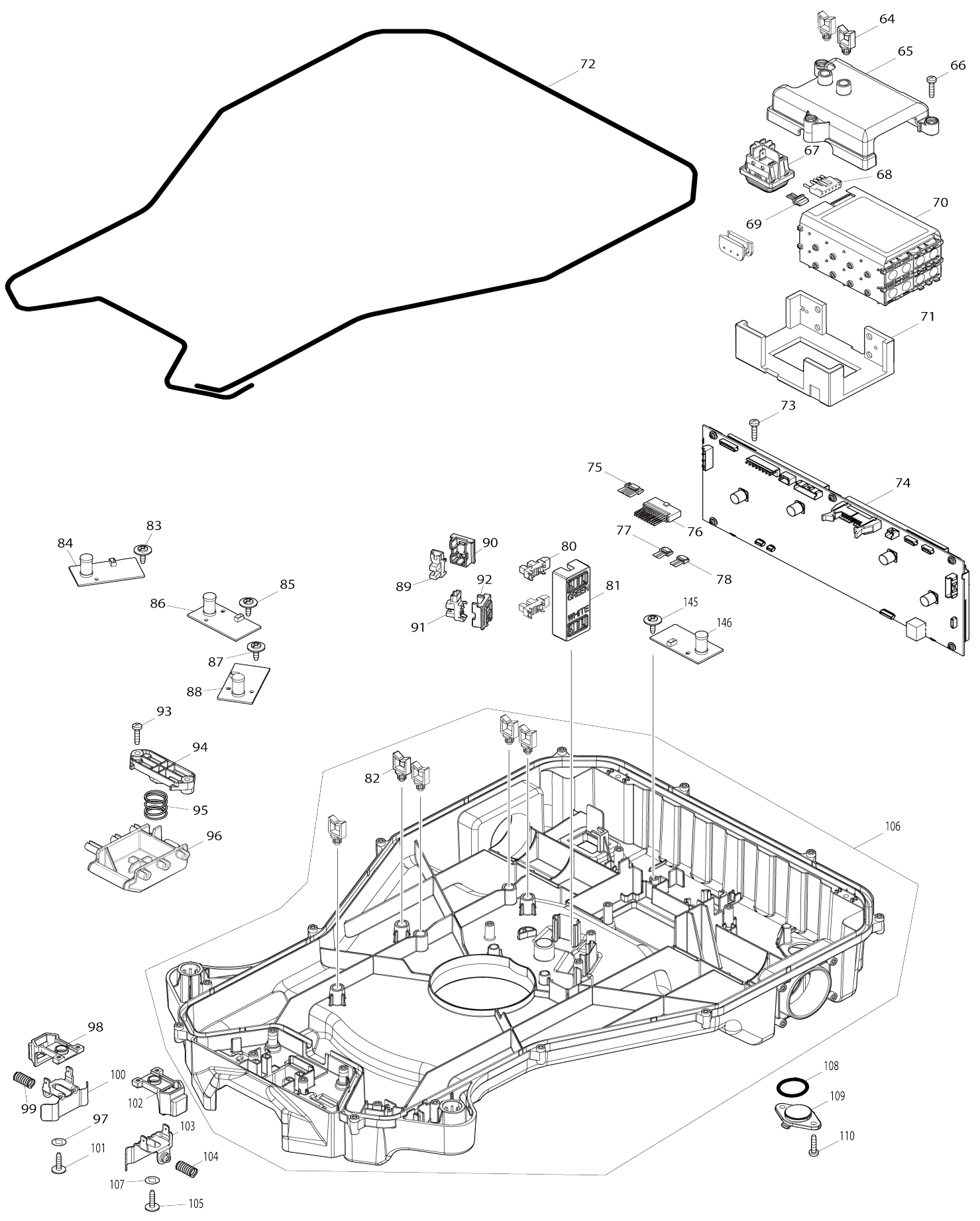
Model No.RM350D Robotic Mower



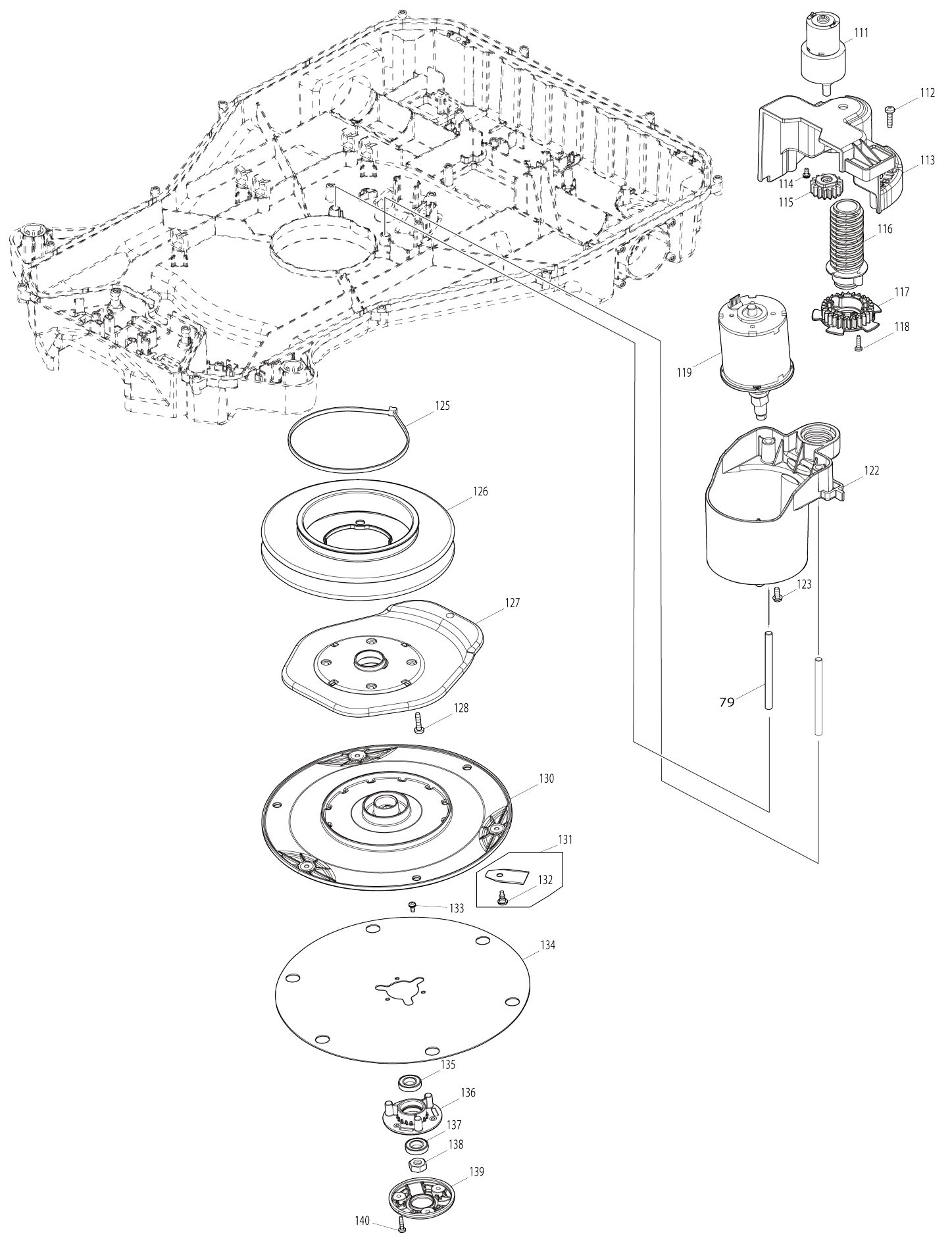
Model No. RM350D Robotic Mower



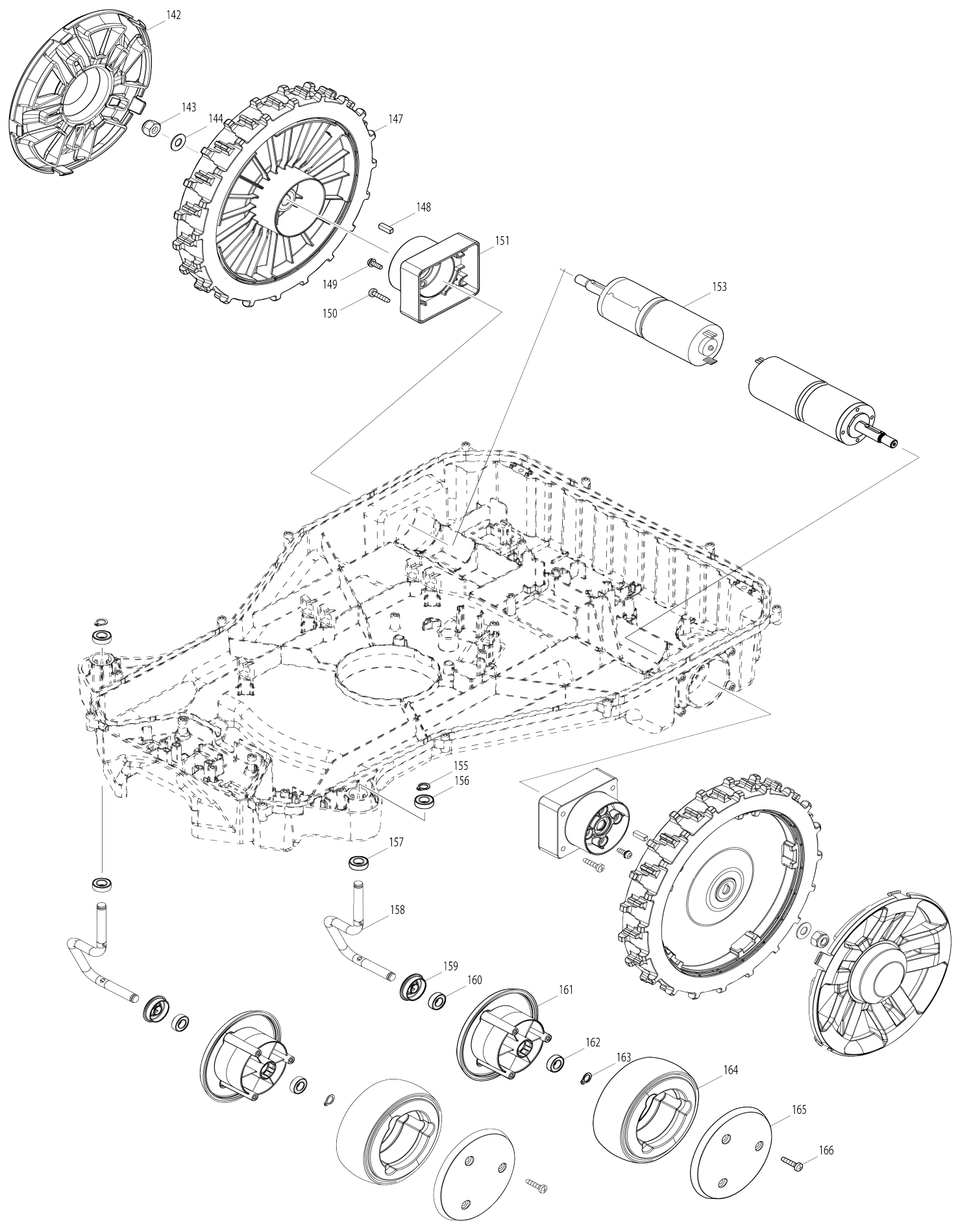
Model No.RM350D Robotic Mower

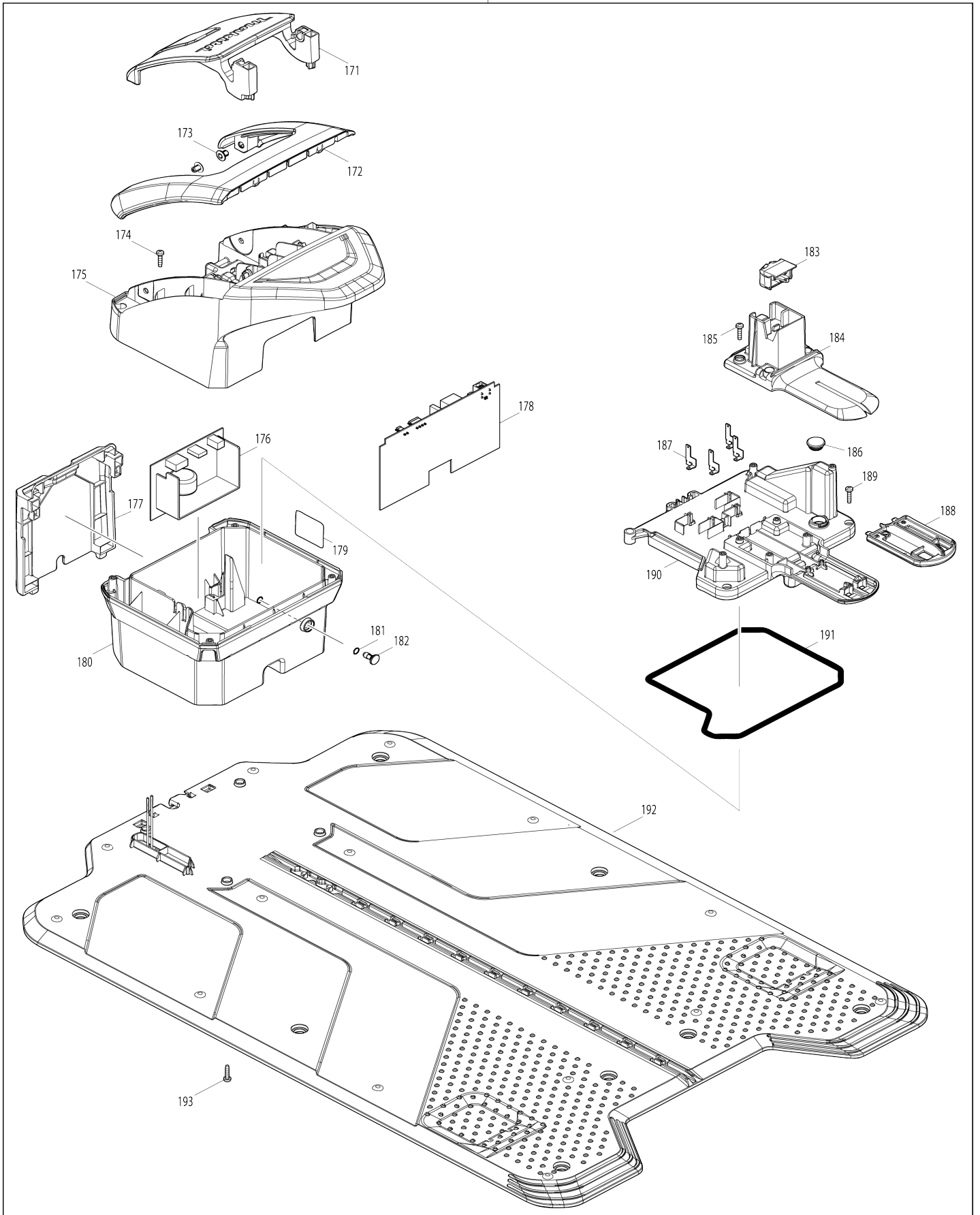


Model No.RM350D Robotic Mower



Model No.RM350D Robotic Mower





Model No.RM350D Robotic Mower

Item No.	Parts No.	Description	Interchangeability	Q'ty	New/Old	Note1	Note2
001	122E85-7	Top cover assembly		1			
001		INC. 2-4					
002	413S26-1	Cover		1			
003	141R82-2	Top cover complete		1			
004	266045-0	Binding head tapping screw 4X20		9			
005	141V18-5	Rear bumper complete		1	*		
C10	8073R6-1	Caution label		1	*		
005-1	137243-2	Rear bumper assembly	<	1			
C10	8073R6-1	Caution label		1			
C20	8087N1-0	Indication label		1			
006	265620-9	Flange tapping screw 4X18		4			
007	8143H9-8	Name plate RM350D		1			
008	422A40-8	Rubber retainer		3			
009	413S28-7	Rubber holder		3			
010	266045-0	Binding head tapping screw 4X20		6			
011	347B51-7	Sensor plate		2			
012	266045-0	Binding head tapping screw 4X20		2			
013	413S11-4	Stop button		1			
014	232836-1	Compression spring 6		2			
015	413S12-2	Stop button arm		1			
016	266045-0	Binding head tapping screw 4X20		2			
017	413S13-0	Lock off button		1			
018	234347-2	Compression spring 11		2			
019	632U81-8	Switch unit		1			
020	413S14-8	Switch holder		1			
021	266045-0	Binding head tapping screw 4X20		2			
022	413S09-1	Display cover A		1			
023	162C59-4	Front cover complete		1	*		
C10	413S16-4	Lens		1	*		
023-1	162C59-4	Front cover complete	<	1			
024	266045-0	Binding head tapping screw 4X20		2			
025	413S10-6	Display cover B		1			
026	327C13-7	Rod 6		1			
027	266192-7	Binding head tapping screw 4X14		2			
028	232600-0	Torsion spring 8		1			
029	266045-0	Binding head tapping screw 4X20		2			
030	413S17-2	Reflector		1			
031	1914D5-4	UI controller repair set		1	*		
031-1	1914D5-4	UI controller repair set	O	1			
032	620M23-6	Buzzer circuit		1			
033	265620-9	Flange tapping screw 4X18		1			
034	638A52-3	Lead unit H		1			

035	638A51-5	Lead unit G		1		
036	638A52-3	Lead unit H		1		
037	413S45-7	Slider cover		3		
038	422A88-0	Felt ring 9		3		
039	266045-0	Binding head tapping screw 4X2 0		9		
040	413S44-9	Spring cover		3		
041	413S43-1	Slider		3		
042	413S42-3	Spring holder		3		
043	327C14-5	Shaft		3		
044	232809-4	Tension spring 7		9		
045	141R83-0	Slider base complete		3		
046	620M22-8	LED circuit		1		
047	422A46-6	Seal		1		
048	443129-3	Filter		1		
049	232858-1	Compression spring 11		3		
050	266045-0	Binding head tapping screw 4X2 0		14		
051	122E82-3	Upper housing assembly		1		
051		INC. 52				
052	687F91-0	Clamp		5		
053	266045-0	Binding head tapping screw 4X2 0		6		
054	620M20-2	Inductive sensor circuit		1		
055	265D18-4	Flange tapping screw 4X14		1		
056	620M20-2	Inductive sensor circuit		1		
057	265D18-4	Flange tapping screw 4X14		1		
058	620M21-0	Hall IC circuit		1		
059	265D18-4	Flange tapping screw 4X14		1		
060	620M21-0	Hall IC circuit		1		
061	265D18-4	Flange tapping screw 4X14		1		
062	620M21-0	Hall IC circuit		1		
063	265D18-4	Flange tapping screw 4X14		1		
064	687F91-0	Clamp		2		
065	413S21-1	Battery holder		1		
066	266045-0	Binding head tapping screw 4X2 0		3		
067	650047-0	Switch DRH-03S-DDK32-02R		1		
068	638A48-4	Lead unit D		1	*	
068-1	638A48-4	Lead unit D	O	1		
069	638A50-7	Lead unit F		1		
070	1914M2-3	Battery BL1850V set		1		
071	422A43-2	Cushion		1		
072	422A47-4	Seal		1		
073	266045-0	Binding head tapping screw 4X2 0		2		
074	1914D4-6	Controller repair set		1	*	
074-1	1914D4-6	Controller repair set	O	1		
075	638A47-6	Lead unit C		1		
076	638A49-2	Lead unit E		1		
077	638A46-8	Lead unit B		1		
078	638A45-0	Lead unit A		1		
079	327C13-7	Rod 6		2		

080	1910J8-6	Photo interrupter repair set		2		
081	413S40-7	Sensor base B		1		
082	687F91-0	Clamp		5		
083	265D18-4	Flange tapping screw 4X14		1		
084	620M19-7	Wire sensing circuit		1		
085	265D18-4	Flange tapping screw 4X14		1		
086	620M19-7	Wire sensing circuit		1		
087	265D18-4	Flange tapping screw 4X14		1		
088	620M19-7	Wire sensing circuit		1		
089	1910J8-6	Photo interrupter repair set		1		
090	413S39-2	Sensor base A		1		
091	1910J8-6	Photo interrupter repair set		1		
092	413S39-2	Sensor base A		1		
093	266045-0	Binding head tapping screw 4X2 0		2		
094	413S23-7	Terminal holder cover		1		
095	232849-2	Compression spring 17		1		
096	137070-7	Terminal holder assembly		1		
097	253608-1	Flat washer 8		1		
098	413U92-0	Terminal slider		1		
099	232837-9	Compression spring 8		1	*	
099-1	232972-3	Compression spring 8	<	1		
100	654896-7	Terminal A		1		
101	265620-9	Flange tapping screw 4X18		1		
102	413U92-0	Terminal slider		1		
103	654896-7	Terminal A		1		
104	232837-9	Compression spring 8		1	*	
104-1	232972-3	Compression spring 8	<	1		
105	265620-9	Flange tapping screw 4X18		1		
106	122E83-1	Lower housing assembly		1	*	
106		INC. 82			*	
106-1	122E83-1	Lower housing assembly	O	1		
106-1		INC. 82				
107	253608-1	Flat washer 8		1		
108	213382-3	O-ring 22		1		
109	413S22-9	USB cap		1		
110	266045-0	Binding head tapping screw 4X2 0		2		
111	629C26-7	DC motor		1		
112	266045-0	Binding head tapping screw 4X2 0		3		
113	413S35-0	Height adjust base		1		
114	911008-8	Pan head screw M3X8 WR		2		
115	227B09-1	Spur gear 16		1		
116	413S36-8	Height adjust screw		1		
117	227B10-6	Spur gear 27		1		
118	266404-8	Binding head tapping screw 3X1 4		2		
119	122G01-1	DC motor assembly		1	*	
C10	213159-6	O-ring 13		1	*	
C20	213382-3	O-ring 22		1	*	
119-1	122G01-1	DC motor assembly	O	1		
C10	213159-6	O-ring 13		1		

C20	213382-3	O-ring 22		1			
122	413S29-5	Motor case		1			
123	911118-1	Pan head screw M4X12 WR		4			
125	453714-4	Wire band		1	*		
125-1	457977-4	Band	O	1			
126	422A44-0	Bellows A		1			
127	413S31-8	Blade cover		1			
128	266045-0	Binding head tapping screw 4X2 0		4			
130	413S32-6	Blade base		1			
131	1913M9-3	Blade set G		1			
131		INC. 132					
132	265D19-2	Binding head screw M4X5		3			
133	911008-8	Pan head screw M3X8 WR		3			
134	347B52-5	Skid plate		1			
135	210171-7	Ball bearing 6800ZZ		1			
136	413S33-4	Hub		1			
137	210171-7	Ball bearing 6800ZZ		1			
138	931402-8	Hex. nut M8		1			
139	122G00-3	Nut cover assembly		1			
C10	213382-3	O-ring 22		1			
140	266404-8	Binding head tapping screw 3X1 4		3			
142	413S50-4	Rear wheel cover		2			
143	252105-4	Hex. lock nut M8-13		2			
144	941201-0	Flat washer 8		2			
145	265D18-4	Flange tapping screw 4X14		1			
146	620M19-7	Wire sensing circuit		1			
147	122E87-3	Rear wheel assembly		2			
148	254204-8	Key 4		2			
149	911118-1	Pan head screw M4X12 WR		8	*		
150	266045-0	Binding head tapping screw 4X2 0		8			
151	122F99-2	Motor bracket assembly		2	*		
C10	213615-6	O-ring 46		1	*		
153	629C25-9	DC motor		2	*		
153-1	1413N4-0	DC motor complete	S	2			
155	961004-6	Retaining ring (EXT) S-8		2	*		
155-1	259100-5	Retaining ring (EXT) S-8	S	2			
156	210211-1	Ball bearing 688LLU		2	*		
156-1	210338-7	Ball bearing 688LLU	<	2			
157	210211-1	Ball bearing 688LLU		2	*		
157-1	210338-7	Ball bearing 688LLU	<	2			
158	327C11-1	Front shaft		2	*		
158-1	327H52-7	Front shaft	S	2			
159	413S48-1	Front wheel cap		2	*		
159-1	4136U7-4	Front wheel cap	<	2			
160	210211-1	Ball bearing 688LLU		2	*		
160-1	210338-7	Ball bearing 688LLU	<	2			
161	413S46-5	Front wheel L		2			
162	210211-1	Ball bearing 688LLU		2	*		
162-1	210338-7	Ball bearing 688LLU	<	2			

163	961004-6	Retaining ring (EXT) S-8		2	*		
163-1	259100-5	Retaining ring (EXT) S-8	S	2			
164	422A41-6	Front tire		2			
165	413S47-3	Front wheel R		2			
166	266045-0	Binding head tapping screw 4X2 0		6			
170	1830U1-1	Charging station repair set		1	*		
170		INC.171-193			*		
170-1	1831N3-4	Charging station repair set	O	1	*		
170-1		INC.171-193			*		
170-2	1831N3-4	Charging station repair set	O	1			
C10	423351-8	Sponge sheet A		1			
170-2		INC.171-193					
171	413S62-7	Roof cover B		1			
172	413S61-9	Roof cover A		1			
173	412987-8	Rivet 7		2			
174	266045-0	Binding head tapping screw 4X2 0		4			
175	413S60-1	Roof		1			
176	1914D7-0	Charging circuit repair set		1			
177	413S63-5	Wire cover		1			
178	1914D6-2	Controller repair set ST		1			
179	8143J3-4	Name plate RM350D		1			
180	413S54-6	Station housing		1			
181	213005-3	O-ring 5		2	*		
181-1	213A98-6	O-ring 5	O	2			
182	413S65-1	Lens ST		1			
183	413S64-3	Plug adapter		1			
184	413S59-6	Terminal housing cover		1			
185	266045-0	Binding head tapping screw 4X2 0		4			
186	286238-3	Cap 19		1			
187	654899-1	Terminal C		4			
188	654898-3	Terminal		1			
189	266045-0	Binding head tapping screw 4X2 0		3			
190	413S55-4	Charging cover		1			
191	422A48-2	Seal		1			
192	141R84-8	Station base complete		1			
193	266045-0	Binding head tapping screw 4X2 0		4			
A01	413S66-9	Station peg		8	*		
A01-1	413S66-9	Station peg	O	8			
A02	1913N6-6	Peg set G		3			
A03	1913N2-4	Wire 150M set G		1			
A04	654902-8	Terminal		5			
A05	1913N8-2	Terminal block set G		3			
A06	1913M9-3	Blade set G		1			
A07	699234-6	Power supply cord unit		1			
A08	630E33-7	AC adapter		1			
A09	783204-6	Hex. wrench 6		1			
E01	638A54-9	Lead unit J		1			
E02	638A55-7	Lead unit K		1			

E03	638A56-5	Lead unit L		1		
F01	1913M9-3	Blade set G		1		
F02	1913N2-4	Wire 150M set G		1		
F03	1913N4-0	Wire repair set G		1		
F04	1913N6-6	Peg set G		1		
F05	1913N8-2	Terminal block set G		1		
F06	1913Y3-9	Wire 50M set G		1		

Please state Parts No. when your order.

Print Date 04/07/2026