



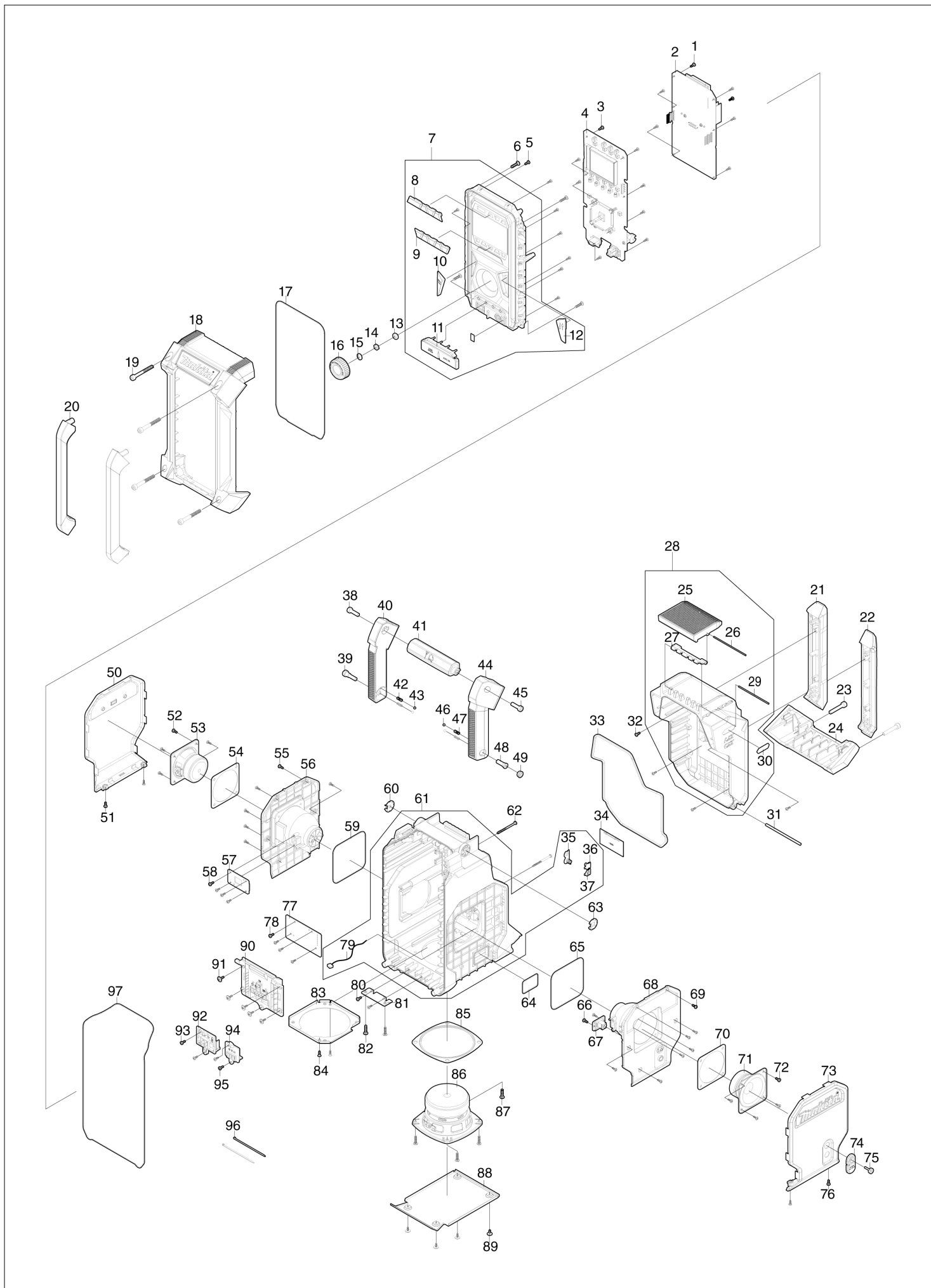
Robbantott ábra / Alkatrészlista

MR006G

AKKUMULÁTOROS MUNKARÁDIÓ



MR006G / AKKUMULÁTOROS MUNKARÁDIÓ



MR006G / AKKUMULÁTOROS MUNKARÁDIÓ

Item	Sub	Parts No.	Parts Description	Qty	I/C	E/C No.	Close No.	Remark
001		SE00000521	SCREW PTB 3X8(ZK) 29S16308001	6				
002		SE00001032	PCB A+M ASS'Y	1				
003		SE00000521	SCREW PTB 3X8(ZK) 29S16308001	8				
004		SE00001034	PCB C ASS'Y	1				
005		SE00000521	SCREW PTB 3X8(ZK) 29S16308001	8				
006		SE09064161	SCREW M4X16	4				
007		SE00001038	FRONT CABINET ASS'Y	1				
	D10		INC. 8-12					
008		SE00000968	POWER KEY	1				
009		SE00000969	PRESET KEY	1				
010		SE00000970	INFO KEY	1				
011		SE00001039	JACK RUBBER COVER	1				
012		SE00000973	EQ KEY	1				
013		SE00000754	EN/SW WASHER	1				
014		SE00000755	EN/SW NUT	1				
015		SE21B1110A	ROTARY KNOB RING	1				
016		SE00000698	ROTARY KNOB	1				
017		SE00000975	FRONT CABINET PACKING	1				
018		SE00000977	FRONT BUMPER	1				
019		SE00000160	SCREW PTHE6X47(CR)	4				
020		SE00000980	FRONT BAR	2				
021		SE00000981	BATTERY BUMPER L	1				
022		SE00000982	BATTERY BUMPER R	1				
023		SE00000709	SCREW PTHE 6X33(CR)	2				
024		SE00000983	REAR BUMPER	1				
025		SE00000984	LOCKER COVER	1				
026		SE00000985	PIN D2X89	1				
027		SE00000536	LOCKER HINGE 3300B30000010	1				
028		SE00000987	BATTERY COVER ASS'Y	1				
	D10		INC. 25-27,29,30					
029		SE00000539	PIN D2X77 2100B300200	1				
030		SE00000872	XGT PLATE	1				
031		SE00000990	BATTERY COVER FIXER PIN	1				
032		SE00000521	SCREW PTB 3X8(ZK) 29S16308001	4				
033		SE00000991	BATTERY COVER PACKING	1				
034		SE0307PC5Z	BACK UP BATTERY COVER	1				
035		SE021E9030	+/- BATTERY CONTACT ASS'Y	1				
036		SE00000467	BATTERY CONTACT (-)2100PL00200	1				
037		SE00000466	BATTERY CONTACT(+) 2100RA00700	1				
038		SE00000176	SCREW PTHE6X20(CR)	1				
039		SE00000715	SCREW PTHE 6X17(CR)	1				
040		SE00000993	HANDLE L	1				
041		SE00000994	HANDLE BAR	1				
042		SE00000184	SPRING	2				
043		SE09994007	STEEL BALL	2				
044		SE00000996	HANDLE R ASS'Y	1				
045		SE00000176	SCREW PTHE6X20(CR)	1				
046		SE09994007	STEEL BALL	2				
047		SE00000184	SPRING	2				
048		SE00000716	SCREW PTHE 7X16(CR)	1				
049		SE00000717	SCREW PTHE 10.8X4.5(CR)	1				
050		SE00000997	SPEAKER GRILL L ASS'Y	1				
051		SE00000521	SCREW PTB 3X8(ZK) 29S16308001	2				
052		SE00000521	SCREW PTB 3X8(ZK) 29S16308001	4				
053		SE00000728	SPEAKER ASS'Y 2.5"	1				
054		SE00000729	SPEAKER 2.5" PACKING	1				
055		SE00000521	SCREW PTB 3X8(ZK) 29S16308001	6				
056		SE00000998	SPEAKER HOLDER L	1				
057		SE00000999	PCB J ASS'Y	1				
058		SE00000521	SCREW PTB 3X8(ZK) 29S16308001	4				
059		SE00001000	SPEAKER HOLDER PACKING	1				
060		SE00000718	HANDLE SUS-PLATE L	1				
061		SE00001001	REAR CABINET ASS'Y	1			Y08747	
	D10		INC. 35-37,79				Y08747	
061-1		SE00001123	REAR CABINET ASS'Y	1	X	Y08747		

Interchange
O : Yes
X : No
< : the new part can be substituted for the current.
> : the current part can be substituted for the new.
S : Interchangeable as a set.

