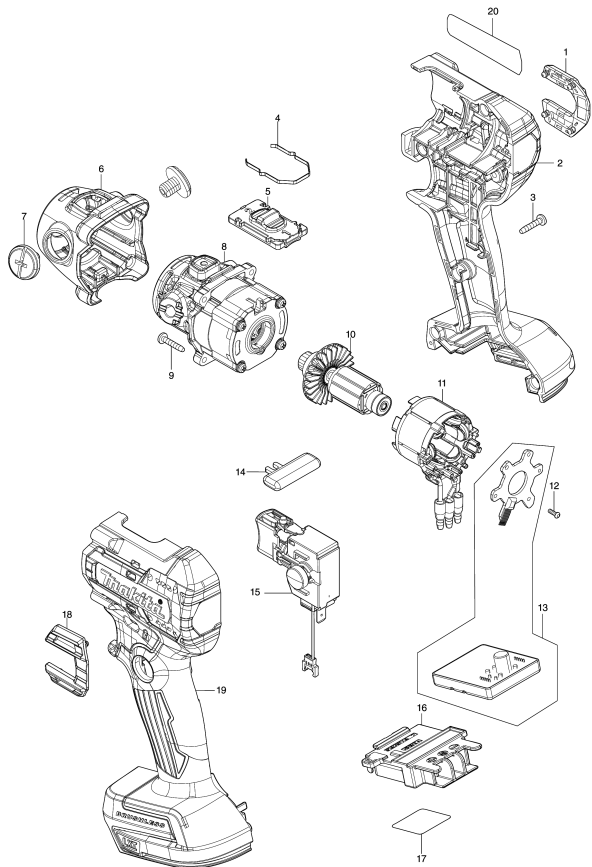


Model No.DPV300 75MM CORDLESS SANDER POLISHER



Model No.DPV300 75MM CORDLESS SANDER POLISHER

| Item | Parts No. | Description | I/C | Qty | New/Old | Opt. 1 | Opt. 2 | Note |
|------|-----------|-----------------------------|-----|-----|---------|--------|--------|------|
| 001 | 422613-1 | DUST COVER | | 1 | | | | |
| 002 | 191P12-1 | HOUSING SET | | 1 | | | | |
| C10 | 8028C3-7 | INDICATION LABEL | | 1 | | | | |
| C20 | 263005-3 | RUBBER PIN 6 | | 2 | | | | |
| D10 | | INC. 19 | | | | | | |
| 003 | 266130-9 | TAPPING SCREW BIND PT 3X16 | | 7 | | | | |
| 004 | 232659-7 | LEAF SPRING | | 1 | | | | |
| 005 | 127720-2 | SPEED CHANGE LEVER ASSEMBLY | | 1 | | | | |
| C10 | 232636-9 | COMPRESSION SPRING 3 | | 2 | | | | |
| 006 | 413228-5 | HEAD COVER | | 1 | | | | |
| 007 | 413229-3 | +ROUND HEAD SCREW M8X10 | | 2 | | | | |
| 008 | 127721-0 | GEAR ASSEMBLY | | 1 | | | | |
| 009 | 266130-9 | TAPPING SCREW BIND PT 3X16 | | 4 | | | | |
| 010 | 619663-7 | ROTOR | | 1 | | | | |
| 011 | 629A36-2 | STATOR | | 1 | | | | |
| 012 | 266490-9 | TAPPING SCREW PT 2X6 | | 3 | | | | |
| 013 | 620D22-4 | CONTROLLER | | 1 | | | | |
| 014 | 412697-7 | LOCK OFF BUTTON | | 1 | | | | |
| 015 | 651489-1 | SWITCH C3JW-4B-L6 | | 1 | | | | |
| 016 | 643874-2 | TERMINAL | | 1 | | | | |
| 017 | 858B92-3 | DPV300 SERIAL NO. LABEL | | 1 | | | | |
| 018 | 422613-1 | DUST COVER | | 1 | | | | |
| 019 | 191P12-1 | HOUSING SET | | 1 | | | | |
| C10 | 8028C3-7 | INDICATION LABEL | | 1 | | | | |
| C20 | 263005-3 | RUBBER PIN 6 | | 2 | | | | |
| D10 | | INC. 2 | | | | | | |
| 020 | 858B84-2 | DPV300 NAME PLATE | | 1 | | | | |
| A01 | 140X75-2 | GRIP 30 COMPLETE | | 1 | | | | |
| A02 | 191N90-9 | SPONGE PAD 80 SET | | 1 | | | | |
| A03 | 191N91-7 | SPONGE PAD 80 SET | | 1 | | | | |
| A04 | 191N92-5 | WOOL PAD 80 SET | | 1 | | | | |
| A05 | 743124-6 | PAD 50 | | 1 | | | | |
| A06 | 743125-4 | PAD 75 | | 1 | | | | |
| A07 | 743126-2 | ADAPTER | | 1 | | | | |

Please order the parts with part number.

Print Date 18/11/2020