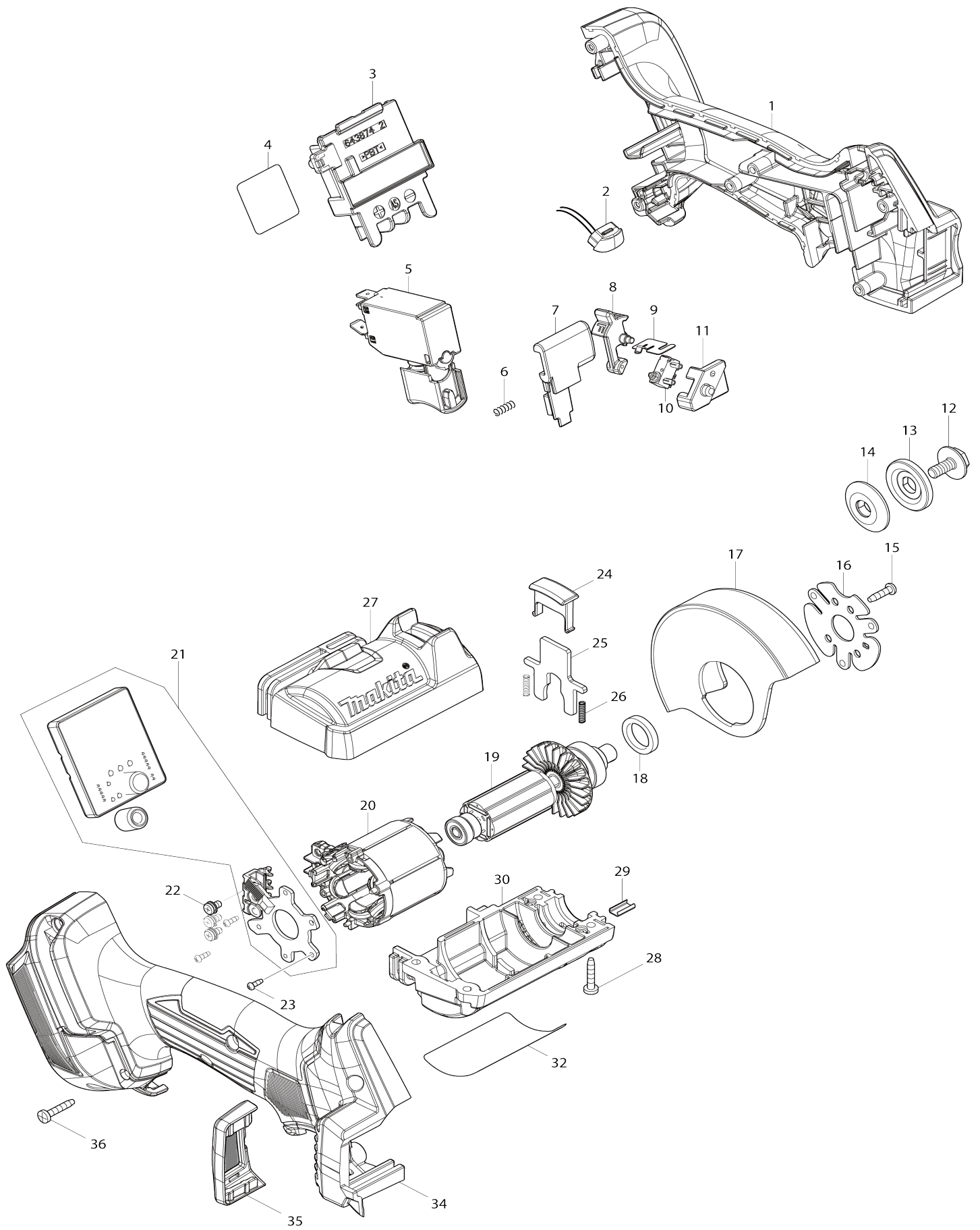


# Model No.DMC300 76MM CORDLESS COMPACT CUT OFF



Model No.DMC300 76MM CORDLESS COMPACT CUT OFF

| Item No. | Parts No. | Description                   | Interchangability | Q'ty | New/Old | Note1 | Note2 |
|----------|-----------|-------------------------------|-------------------|------|---------|-------|-------|
| 001      | 183V87-0  | HANDLE SET                    |                   | 1    |         |       |       |
| D10      |           | INC. 34                       |                   |      |         |       |       |
| 002      | 620549-0  | LED CIRCUIT                   |                   | 1    |         |       |       |
| 003      | 643874-2  | TERMINAL                      |                   | 1    |         |       |       |
| 004      | 8119H1-1  | DMC300 SERIAL NO. LABEL       |                   | 1    |         |       |       |
| 005      | 650027-6  | SWITCH C3JW-4CM-R             |                   | 1    |         |       |       |
| 006      | 231433-0  | COMPRESSION SPRING 4          |                   | 1    |         |       |       |
| 007      | 413F56-4  | LOCK OFF BUTTON               |                   | 1    |         |       |       |
| 008      | 413F52-2  | F/R CHANGE LEVER              |                   | 1    |         |       |       |
| 009      | 232747-0  | LEAF SPRING                   |                   | 1    |         |       |       |
| 010      | 632T84-6  | SWITCH UNIT                   |                   | 1    |         |       |       |
| 011      | 413F55-6  | SWITCH BASE                   |                   | 1    |         |       |       |
| 012      | 265C51-0  | HEX. SOCKET HEAD BOLT M5X12   |                   | 1    |         |       |       |
| 013      | 224624-0  | OUTER FLANGE 25               |                   | 1    |         |       |       |
| 014      | 224623-2  | INNER FLANGE 25               |                   | 1    |         |       |       |
| 015      | 266556-5  | TAPPING SCREW 3X12            |                   | 4    |         |       |       |
| 016      | 347979-7  | PLATE A                       |                   | 1    |         |       |       |
| 017      | 162B46-7  | WHEEL COVER 76                |                   | 1    |         |       |       |
| 018      | 422870-1  | FELT RING 18                  |                   | 1    |         |       |       |
| 019      | 619755-2  | ROTOR                         |                   | 1    |         |       |       |
| 020      | 629B23-7  | STATOR                        |                   | 1    |         |       |       |
| 021      | 620J17-3  | CONTROLLER                    |                   | 1    |         |       |       |
| 022      | 652069-6  | FLAT HEAD SCREW M3X6          |                   | 3    |         |       |       |
| 023      | 266490-9  | TAPPING SCREW PT 2X6          |                   | 3    |         |       |       |
| 024      | 413F51-4  | CAP                           |                   | 1    |         |       |       |
| 025      | 347978-9  | SHAFT LOCK                    |                   | 1    |         |       |       |
| 026      | 232472-3  | COMPRESSION SPRING 2          |                   | 2    |         |       |       |
| 027      | 183X33-5  | MOTOR HOUSING SET             |                   | 1    |         |       |       |
| D10      |           | INC. 30                       |                   |      |         |       |       |
| 028      | 266429-2  | TAPPING SCREW 3X16            |                   | 4    |         |       |       |
| 029      | 347980-2  | PLATE B                       |                   | 1    |         |       |       |
| 030      | 183X33-5  | MOTOR HOUSING SET             |                   | 1    |         |       |       |
| D10      |           | INC. 27                       |                   |      |         |       |       |
| 032      | 8119G4-8  | DMC300 NAME PLATE             |                   | 1    |         |       |       |
| 034      | 183V87-0  | HANDLE SET                    |                   | 1    |         |       |       |
| D10      |           | INC. 1                        |                   |      |         |       |       |
| 035      | 422880-8  | DUST COVER                    |                   | 1    |         |       |       |
| 036      | 266429-2  | TAPPING SCREW 3X16            |                   | 6    |         |       |       |
| A01      | 122C54-6  | DUST COLLECT COVER ATTACHMENT |                   | 1    |         |       |       |
| C10      | 265760-3  | THUMB SCREW M5X10             |                   | 1    |         |       |       |
| C20      | 267010-2  | FLAT WASHER 5                 |                   | 1    |         |       |       |
| C30      | 413F54-8  | CLEAR COVER                   |                   | 1    |         |       |       |
| C40      | 265C71-4  | TAPPING SCREW 3X6             |                   | 2    |         |       |       |
| A02      | D-77263   | DIAMOND WHEEL 76X10 MM RIM    |                   | 1    | *       |       |       |
| A02-1    | D-77263   | DIAMOND WHEEL 76X10 MM RIM    | O                 | 1    |         |       |       |

|     |          |                                   |  |   |  |  |  |
|-----|----------|-----------------------------------|--|---|--|--|--|
| A03 | D-74837  | TUNGSTEN CARBIDE GRIT 76X10<br>MM |  | 1 |  |  |  |
| A04 | D-74815  | CUTTING WHEEL/THIN THICKNE<br>SS  |  | 1 |  |  |  |
| A05 | 783202-0 | HEX. WRENCH 4                     |  | 1 |  |  |  |

Please state Parts No. when your order.

Print Date 24/10/2023