

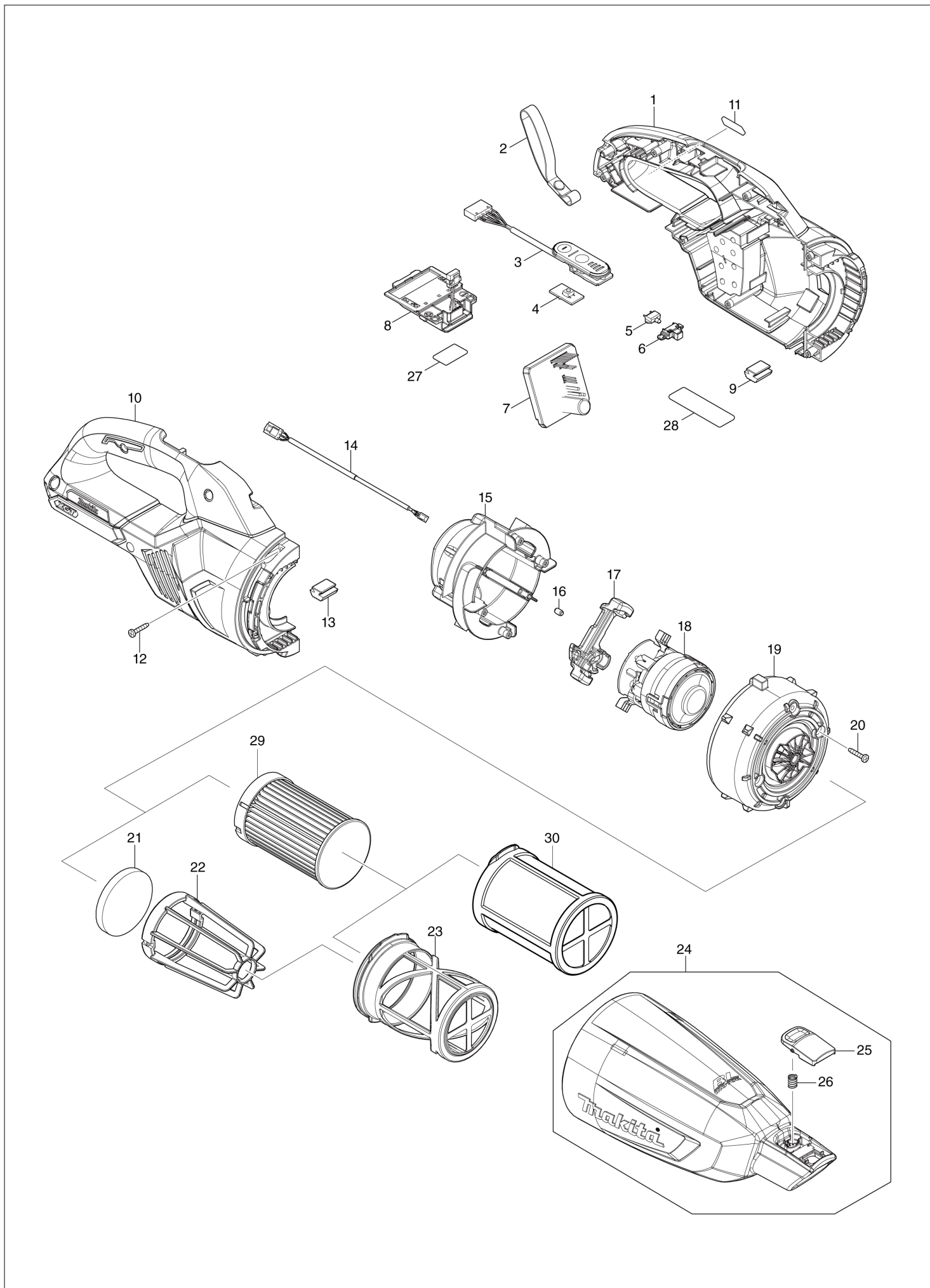


Robbantott ábra / Alkatrészlista

CL001G

Akkumulátoros porszívó

CL001G Akkumulátoros porszívó



CL001G Akkumulátoros porszívó

Item	Sub	Parts No.	Parts Description	Qty	I/C	E/C No.	Close No.	Remark
001A		183T43-8	HOUSING SET	1				
001B		183T43-8	HOUSING SET	1				
001C		183T18-7	HOUSING SET	1				
001D		183T18-7	HOUSING SET	1				
	C10	263005-3	RUBBER PIN 6	2				
	C20	422714-5	SPONGE SEAT	2				
	D10		INC. 9,10,13					
003		141B54-1	INDICATION CIRCUIT COMPLETE	1				
	C10	8031J2-9	SWITCH LABEL	1				
004		620E74-1	SWITCH UNIT	1				
005		620E82-2	LED CIRCUIT	1				
006		459478-8	LENS CASE	1				
007		620E90-3	CONTROLLER	1				
	C10	688163-8	LINE FILTER	1				
008		632P65-6	TERMINAL UNIT	1				
009		422460-0	RUBBER PLATE	1				
010A		183T43-8	HOUSING SET	1				
010B		183T43-8	HOUSING SET	1				
010C		183T18-7	HOUSING SET	1				
010D		183T18-7	HOUSING SET	1				
	C10	263005-3	RUBBER PIN 6	2				
	C20	422714-5	SPONGE SEAT	2				
	D10		INC. 1,9,13					
011		8005T5-8	XGT LOGO LABEL	1				
012		266429-2	TAPPING SCREW 3X16	7				
013		422460-0	RUBBER PLATE	1				
014		632S32-9	LEAD UNIT	1				
015		141E55-7	MOTOR COVER R COMPLETE	1				
	D10		INC. 16					
016		263002-9	RUBBER PIN 4	4				
017		422723-4	MOTOR COVER SEAL	1				
018		629A46-9	MOTOR ASSEMBLY	1				
019		413645-9	MOTOR COVER F	1				
020		266429-2	TAPPING SCREW 3X16	4				
021		422268-2	SPONGE SHEET 57	1				
022		458467-0	STAY	1				
023		199966-0	EASY SHAKE OFF FILTER B SET	1				
024A		136449-9	CAPSULE ASSY	1				
024B		136449-9	CAPSULE ASSY	1				
024C		136400-9	CAPSULE ASS'Y	1				
024D		136400-9	CAPSULE ASS'Y	1				
	C10	266326-2	TAPPING SCREW 4X18	1				
	C20	941051-3	FLAT WASHER 4	1				
	C30	424208-6	VALVE	1				
	D10		INC. 25,26					
025		458939-5	BUTTON A	1				
026		232485-4	COMPRESSION SPRING 5	1				
027		811M37-8	CL001G SERIAL NO. LABEL	1				
028		811M30-2	CL001G NAME PLATE	1				
A01A		127828-2	NOZZLE ASSEMBLY	1				
A01B		127828-2	NOZZLE ASSEMBLY	1				
A01C		127825-8	NOZZLE ASSEMBLY	1				
A01D		127825-8	NOZZLE ASSEMBLY	1				
A02A		413809-5	SASH NOZZLE	1				
A02B		413809-5	SASH NOZZLE	1				
A02C		413770-6	SASH NOZZLE	1				
A02D		413770-6	SASH NOZZLE	1				
A03A		456585-8	SASH NOZZLE HOLDER	1			DB541	
A03B		456585-8	SASH NOZZLE HOLDER	1			DB541	
A03C		459354-6	NOZZLE HOLDER	1				
A03D		459354-6	NOZZLE HOLDER	1				
A03-1A		459038-6	NOZZLE HOLDER	1	<	DB541		
A03-1B		459038-6	NOZZLE HOLDER	1	<	DB541		
A04A		458942-6	PIPE	1				
A04B		458942-6	PIPE	1				
A:CL001GZ04(N) B:CL001GA109(H) C:CL001GZ10(N) D:CL001GD217(H)						Interchange O : Yes X : No < : the new part can be substituted for the current. > : the current part can be substituted for the new. S : Interchangeable as a set.		

