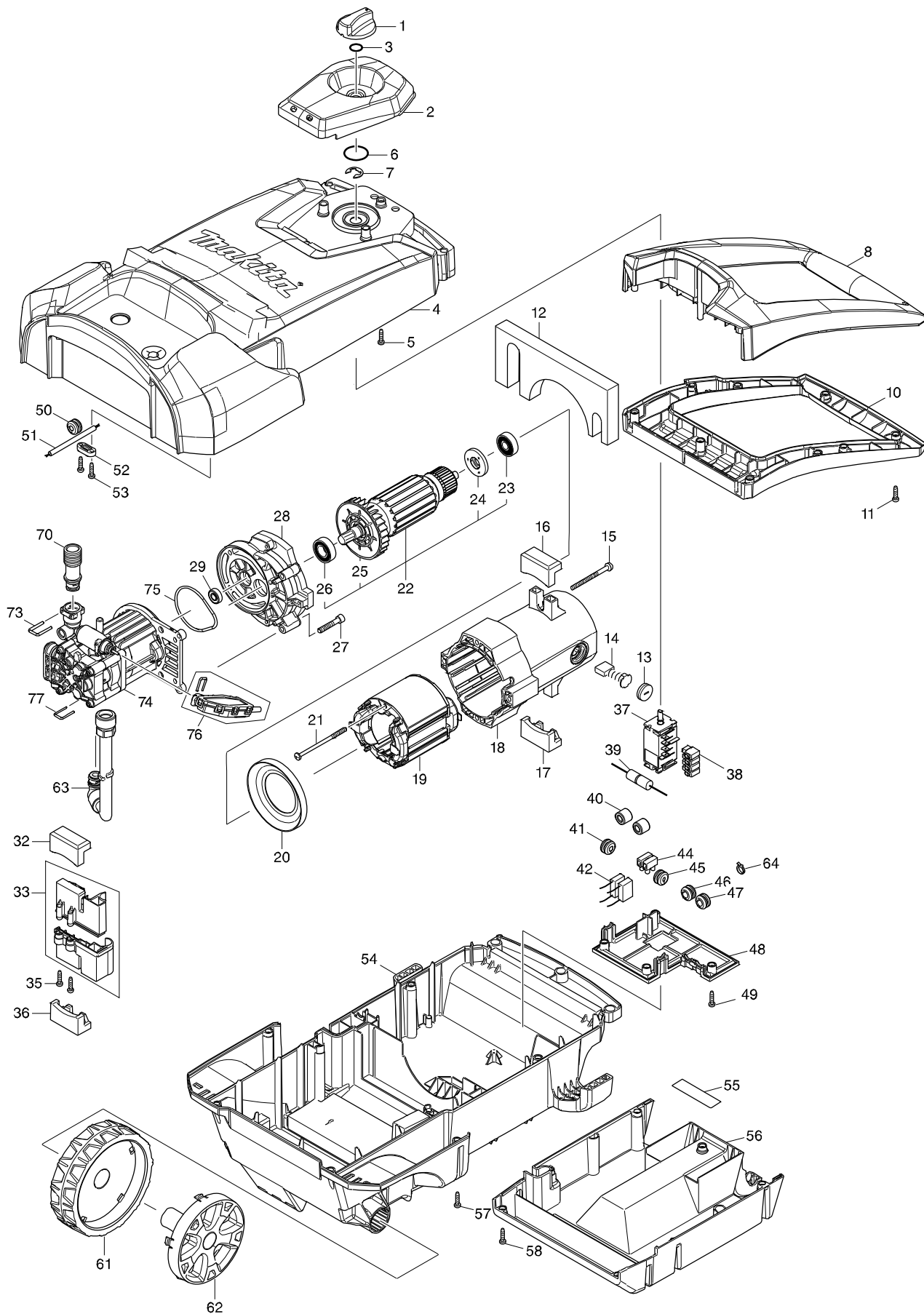


# Modellszám HW1200 HIGH PRESSURE WASHER



| Tétel | Cikkszám | Megnevezés                      | Átala | Menny. | N/O | Opc 1 | Opc 2 | Megjegyzés |
|-------|----------|---------------------------------|-------|--------|-----|-------|-------|------------|
| 001   | 456837-7 | SWITCH DIAL 50                  |       | 1      |     |       |       |            |
| 002   | 456953-5 | FRONT COVER                     |       | 1      |     |       |       |            |
| 003   | 213176-6 | O RING 14                       |       | 1      |     |       |       |            |
| 004   | 143817-9 | FRONT HOUSING COMPLETE          |       | 1      |     |       |       |            |
| 005   | 266045-0 | ÖNMETSZŐ CSAVAR M4X20           |       | 4      |     |       |       |            |
| 006   | 213412-0 | O-GYŰRŰ 29 SR2300               |       | 1      |     |       |       |            |
| 007   | 961062-2 | STOP RING E-12                  |       | 1      |     |       |       |            |
| 008   | 456841-6 | FRONT HANDLE                    |       | 1      |     |       |       |            |
| 010   | 456843-2 | REAR HANDLE                     |       | 1      |     |       |       |            |
| 011   | 266045-0 | ÖNMETSZŐ CSAVAR M4X20           |       | 7      |     |       |       |            |
| 012   | 424856-1 | SCREEN SPONGE F                 |       | 1      |     |       |       |            |
| 013   | 643700-5 | SZÉNKEFETARTÓ-SAPKA 7-18 64370  |       | 2      |     |       |       |            |
| 014   | 191953-5 | SZÉNKEFE CB-203 191953-5*       |       | 1      |     |       |       |            |
| 015   | 911288-6 | TRAPÉZFEJŰ CSAVAR M5X65 911288  |       | 4      |     |       |       |            |
| 016   | 424852-9 | RUBBER CUSHION                  |       | 1      |     |       |       |            |
| 017   | 424852-9 | RUBBER CUSHION                  |       | 1      |     |       |       |            |
| 018   | 143813-7 | MOTOR HOUSING COMPLETE          |       | 1      |     |       |       |            |
| C10   | 643712-8 | SZÉNKEFETARTÓ 9077-79F/SF       |       | 2      |     |       |       |            |
| 019   | 639092-8 | FIELD ASSY 240V                 |       | 1      |     |       |       |            |
| C10   | 654197-3 | GYŰRŰ SZÉNKEFETARTÓHOZ 9077-7   |       | 2      |     |       |       |            |
| C20   | 654502-4 | CSATLAKOZÓ P-2 654502-4         |       | 2      |     |       |       |            |
| 020   | 416131-9 | LÉGTERELŐ LAP 9047F-9079F       |       | 1      |     |       |       |            |
| 021   | 265A13-6 | TAPPING SCREW 5X85              |       | 2      |     |       |       |            |
| 022   | 513474-1 | ARMATURE ASSEMBLY 240V          |       | 1      |     |       |       |            |
| D10   |          | INC. 23-26                      |       |        |     |       |       |            |
| 023   | 211067-5 | BALL BEARING 6200ZZ             |       | 1      |     |       |       |            |
| 024   | 681630-2 | SZIGETELŐ ALÁTÉT 681630-2       |       | 1      |     |       |       |            |
| 025   | 241908-1 | VENTILÁTOR KERÉK 80 9047F/SF/HM |       | 1      |     |       |       |            |
| 026   | 211236-8 | GOLYÓCSAPÁGY*                   |       | 1      |     |       |       |            |
| 027   | 266586-6 | H.S.H.BOLT M6X35                |       | 4      |     |       |       |            |
| 028   | 143822-6 | GEAR HOUSING COMPLETE           |       | 1      |     |       |       |            |
| C10   | 263005-3 | GUMI CSAPSZEG 6 263005-3        |       | 1      |     |       |       |            |
| 029   | 211166-3 | BALL BEARING 698DDW             |       | 1      |     |       |       |            |
| 032   | 424852-9 | RUBBER CUSHION                  |       | 1      |     |       |       |            |
| 033   | 183D72-5 | PUMP RETAINER SET               |       | 1      |     |       |       |            |
| 035   | 266045-0 | ÖNMETSZŐ CSAVAR M4X20           |       | 2      |     |       |       |            |
| 036   | 424852-9 | RUBBER CUSHION                  |       | 1      |     |       |       |            |
| 037   | 650780-4 | SWITCH                          |       | 1      |     |       |       |            |
| 038   | 686035-1 | DUGASZOLÓ ALJZAT                |       | 4      |     |       |       |            |
| 039   | 632G71-7 | CURRENT FUSE UNIT               |       | 1      |     |       |       |            |
| 040   | 688163-8 | LINE FILTER                     |       | 2      |     |       |       |            |
| 041   | 682100-4 | GROMMET                         |       | 1      |     |       |       |            |
| 042   | 645089-7 | NOISE SUPPRESSOR                |       | 1      |     |       |       |            |
| 044   | 654531-7 | CSATLAKOZÓSÁV N910/4305/4305T   |       | 1      |     |       |       |            |
| 045   | 682098-5 | GROMMET                         |       | 1      |     |       |       |            |
| 046   | 682100-4 | GROMMET                         |       | 1      |     |       |       |            |
| 047   | 682100-4 | GROMMET                         |       | 1      |     |       |       |            |
| 048   | 456833-5 | SWITCH BOX COVER                |       | 1      |     |       |       |            |

| Tétel | Cikkszám   | Megnevezés               | Átala | Menny. | N/O | Opc 1 | Opc 2 | Megjegyzés |
|-------|------------|--------------------------|-------|--------|-----|-------|-------|------------|
| 049   | 266045-0   | ÖNMETSZŐ CSAVAR M4X20    |       | 4      |     |       |       |            |
| 050   | 682100-4   | GROMMET                  |       | 1      |     |       |       |            |
| 051   | 665883-1   | FILC GYŰRŰ               |       | 1      |     |       |       |            |
| 052   | 687124-5   | TÖRÉSGÁTLÓ               |       | 1      |     |       |       |            |
| 053   | 266045-0   | ÖNMETSZŐ CSAVAR M4X20    |       | 2      |     |       |       |            |
| 054   | 143820-0   | REAR HOUSING COMPLETE    |       | 1      |     |       |       |            |
| C10   | 809R02-9   | CAUTION LABEL            |       | 1      |     |       |       |            |
| 055   | 852W47-6   | HW1200 NAME PLATE        |       | 1      |     |       |       |            |
| 056   | 456838-5   | REAR BOX                 |       | 1      |     |       |       |            |
| 057   | 266045-0   | ÖNMETSZŐ CSAVAR M4X20    |       | 8      |     |       |       |            |
| 058   | 266045-0   | ÖNMETSZŐ CSAVAR M4X20    |       | 7      |     |       |       |            |
| 061   | 456835-1   | WHEEL                    |       | 2      |     |       |       |            |
| 062   | 456836-9   | WHEEL CAP                |       | 2      |     |       |       |            |
| 063   | 123649-0   | ABSORPTION JOINT         |       | 1      |     |       |       |            |
| 064   | 687010-0   | PÁNT 687010-0            |       | 1      |     |       |       |            |
| 070   | TG00000007 | DISCHARGE PORT JOINT     |       | 1      |     |       |       |            |
| 073   | TG00000002 | U TYPE PIN 3             |       | 1      |     |       |       |            |
| 074   | TG00000001 | PUMP COMPLETE            |       | 1      |     |       |       |            |
| 075   | TG00000006 | SEAL RING 62             |       | 1      |     |       |       |            |
| 076   | TG00000005 | PRESSURE SWITCH COMPLETE |       | 1      |     |       |       |            |
| 077   | TG00000003 | U TYPE PIN 2             |       | 1      |     |       |       |            |
| A01   | 197842-2   | TRIGGER GUN SET          |       | 1      |     |       |       |            |
| A02   | 197886-2   | FOAM NOZZLE SET          |       | 1      |     |       |       |            |
| A03   | 197876-5   | VARIOSPRAY LANCE SET     |       | 1      |     |       |       |            |
| A04   | 197824-4   | CYCLONE JET NOZZLE SET   |       | 1      |     |       |       |            |
| A05   | 123784-4   | HIGH PRESSURE HOSE 10M   |       | 1      |     |       |       |            |
| A06   | 197935-5   | CONNECTOR SET            |       | 1      |     |       |       |            |
| C10   | 197883-8   | ONE TOUCH JOINT SET      |       | 1      |     |       |       |            |
| C20   | 197881-2   | ABSORPTION CONNECTOR SET |       | 1      |     |       |       |            |
| C30   | 123660-2   | CLEANING PIN             |       | 1      |     |       |       |            |
| C40   | 266045-0   | ÖNMETSZŐ CSAVAR M4X20    |       | 7      |     |       |       |            |
| E01   | 800A41-0   | SOUND 89DB LABEL         |       | 1      |     |       |       |            |
|       |            |                          |       |        |     |       |       |            |
|       |            |                          |       |        |     |       |       |            |
|       |            |                          |       |        |     |       |       |            |
|       |            |                          |       |        |     |       |       |            |
|       |            |                          |       |        |     |       |       |            |
|       |            |                          |       |        |     |       |       |            |
|       |            |                          |       |        |     |       |       |            |
|       |            |                          |       |        |     |       |       |            |
|       |            |                          |       |        |     |       |       |            |
|       |            |                          |       |        |     |       |       |            |
|       |            |                          |       |        |     |       |       |            |
|       |            |                          |       |        |     |       |       |            |
|       |            |                          |       |        |     |       |       |            |
|       |            |                          |       |        |     |       |       |            |
|       |            |                          |       |        |     |       |       |            |
|       |            |                          |       |        |     |       |       |            |
|       |            |                          |       |        |     |       |       |            |
|       |            |                          |       |        |     |       |       |            |
|       |            |                          |       |        |     |       |       |            |
|       |            |                          |       |        |     |       |       |            |
|       |            |                          |       |        |     |       |       |            |
|       |            |                          |       |        |     |       |       |            |