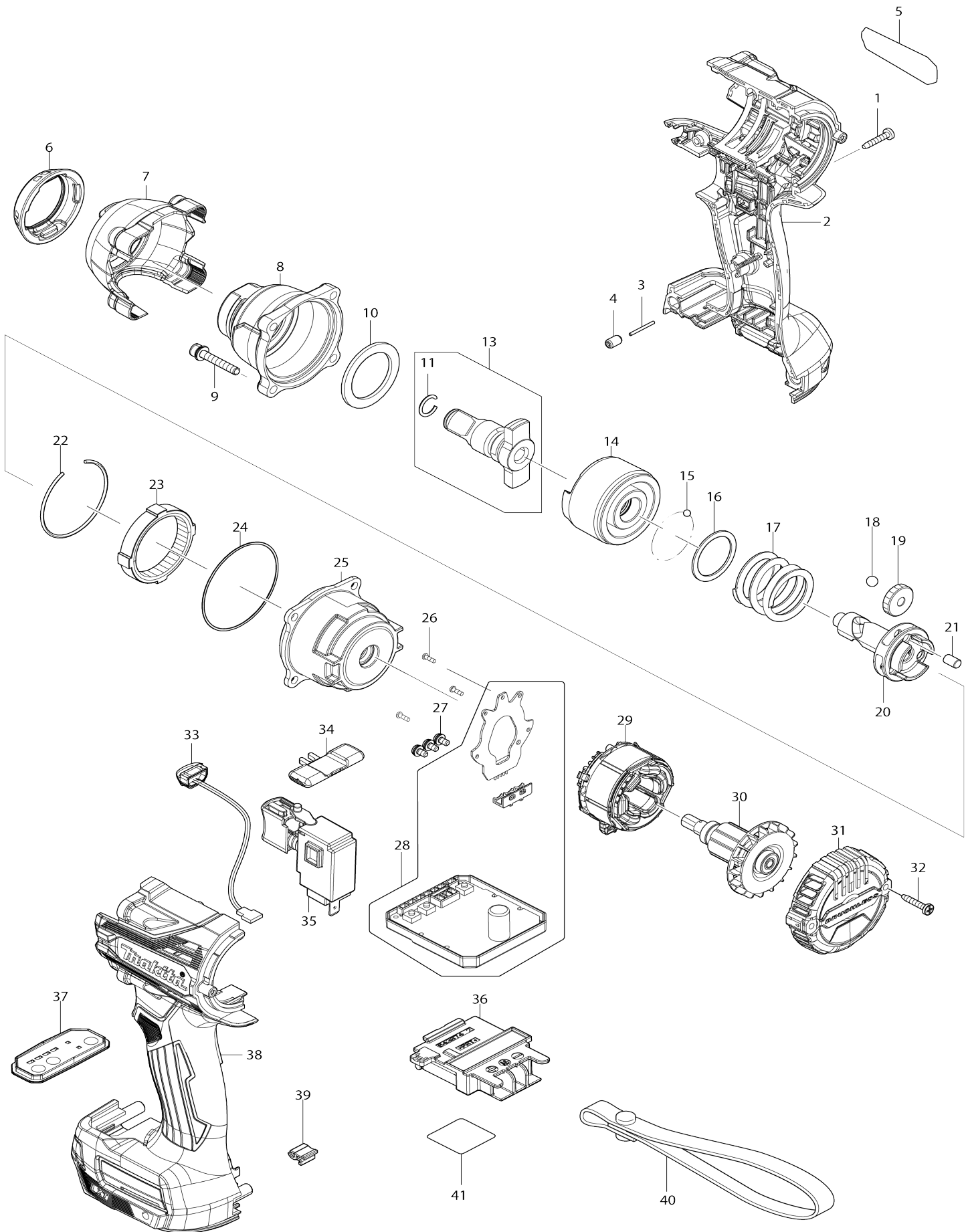


Model No.DTW300 CORDLESS IMPACT WRENCH



Model No.DTW300 CORDLESS IMPACT WRENCH

Item No.	Parts No.	Description	Interchangability	Q'ty	New/Old	Note1	Note2
001	266130-9	Binding head tapping screw 3X16		8			
002	183P27-2	Housing set		1			
C10	263005-3	Rubber pin 6		2			
C20	252126-6	Hex. lock nut M4-7		2			
002		INC. 38					
003	268284-8	Pin 1.5		1			
004	263036-2	Rubber pin 5		1			
005	857A18-6	Name plate DTW300		1			
006	422584-2	Bumper		1			
007	412556-5	Hammer case cover		1			
008	140T36-8	Hammer case complete		1	*		
008-1	1410F7-0	Hammer case complete	O	1	*		
008-2	140T36-8	Hammer case complete	O	1			
009	265472-8	Hex. socket head bolt M4X25		4	*		
009-1	265D40-1	Hex. socket head bolt M4X25 WR	O	4	*		
009-2	265472-8	Hex. socket head bolt M4X25	O	4			
010	261154-0	Nylon washer 28		1			
011	231907-1	Ring spring 10		1			
013	136223-5	Anvil E assembly		1	*		
013		INC. 11			*		
013-1	136223-5	Anvil E assembly	O	1	*		
013-1		INC. 11			*		
013-2	136223-5	Anvil E assembly	O	1	*		
013-2		INC. 11			*		
013-3	137253-9	Anvil E assembly	<	1			
013-3		INC. 11					
014	327572-3	Hammer		1			
015	216001-0	Steel ball 3.5		24			
016	267175-0	Flat washer 24		1			
017	232615-7	Compression spring 25		1			
018	216011-7	Steel ball 5.6		2			
019	227338-0	Spur gear 22		3			
020	327573-1	Spindle		1			
021	268311-1	Pin 5		3			
022	233910-8	Ring spring 43		1			
023	227337-2	Internal gear 51		1			
024	213785-1	O-ring 49		1			
025	140T37-6	Internal gear case complete		1			
026	266490-9	Pan head tapping screw 2X6		3			
027	652069-6	Flat head screw M3X6		3			
028	620C64-2	Controller		1			
029	629477-6	Stator		1	*		
029-1	629A98-0	Stator	O	1			
030	619626-3	Rotor		1			
031	412555-7	Rear cover		1			
032	266130-9	Binding head tapping screw 3X16		2			

033	620521-2	LED circuit		1		
034	455053-8	F/R change lever		1		
035	651443-5	Switch C3JR-4B		1		
036	643874-2	Terminal		1		
037	140T43-1	Switch plate complete		1	*	
C10	8012S9-8	Switch label		1	*	
037-1	141Y82-4	Switch plate complete	<	1		
C10	8012S9-8	Switch label		1		
038	183P27-2	Housing set		1		
C10	263005-3	Rubber pin 6		2		
C20	252126-6	Hex. lock nut M4-7		2		
038		INC. 2				
039	424517-3	Cushion		1		
041	857A26-7	Serial No. label DTW300		1		
A01	266622-8	Truss head screw M4X12		1		
A02	346317-0	Hook		1		
A03B	821550-0	Connector plastic case (type 2)		1		
C10	453974-8	Latch		4		
A04B	835L10-8	Inner tray		1		
A05B	8013Y9-6	Plastic case label DTW300RTJ		2	*	
A06B	8013Y8-8	Indication label DTW300RTJ		1		
A07B	***DC18RC	DC18RC FAST CHARGER		1		
A07B		COMPO-PARTS				
A08B	450128-8	Battery cover		1		
A09B	197280-8	Battery BL1850B set		2		
F02	197941-0	Tool catcher set (with strap)		1		
F03	191K57-9	Tool hanger set		1		

Please state Parts No. when your order.

Print Date 11/17/2025