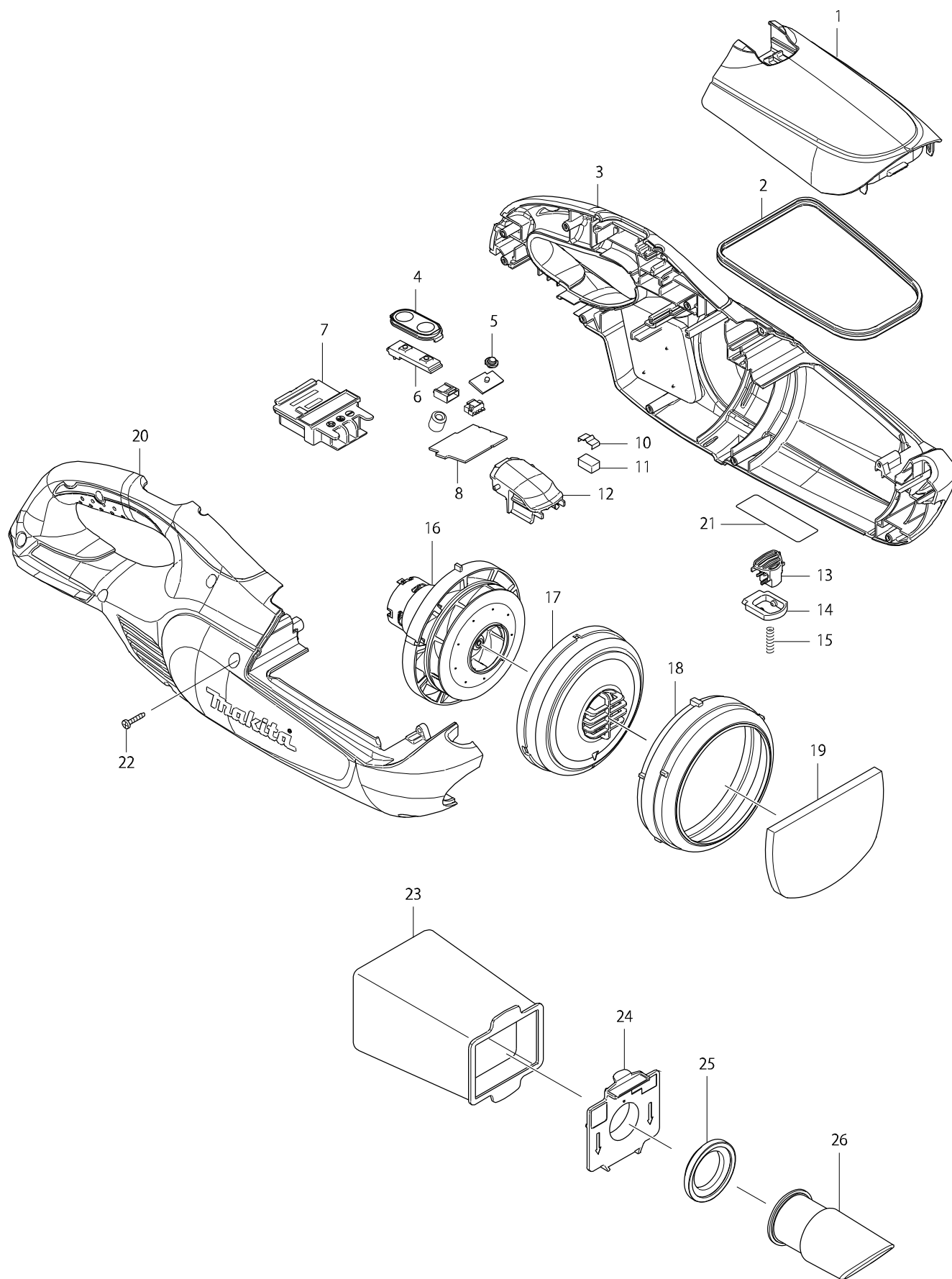


Modellszám DCL182 CORDLESS CLEANER



Tétel	Cikkszám	Megnevezés	Átala	Menny.	N/O	Opc 1	Opc 2	Megjegyzés
001C	452348-0	FRONT COVER		1				
001D	452349-8	FRONT COVER		1				
002	424093-7	SEAL		1				
C10	424209-4	SPONGE SHEET 50-50		2				
D10		INC. 20						
003C	188991-6	HOUSING SET		1				
003D	188998-2	HOUSING SET		1				
004	140463-9	SWITCH PLATE COMPLETE		1				
C10	816528-6	SWITCH LABEL		1				
005	450522-4	LENS		1				
006	631973-2	SWITCH UNIT		1				
007	643860-3	TERMINAL		1				
008	638866-4	CONTROLLER UNIT		1				
C10	688164-6	LINE FILTER		1	*			
C11	688161-2	LINE FILTER	<	1				
C20	654069-2	RECEPTACLE		2				
010	232264-0	LEAF SPRING		1				
011	424367-6	RUBBER		1				
012C	452346-4	FRONT COVER JOINT		1				
012D	452347-2	FRONT COVER JOINT		1				
013C	452350-3	BUTTON		1				
013D	452351-1	BUTTON		1				
014	452352-9	STOPPER		1				
015	234205-2	COMPRESSION SPRING 4		1	*			
015-1	233344-5	COMPRESSION SPRING 4	<	1				
016	125932-1	MOTOR ASSEMBLY		1				
C10	240102-2	FAN 82		1				
C20	265199-0	+ PAN HEAD SCREW M3X8		2				
C30	452455-9	BASE		1				
017	416030-5	FAN COVER		1				
018	424320-2	RUBBER RING		1				
019	423287-1	SPONGE SHEET 70-106		1	*			
019-1	424804-0	SUPONGE SHEET 76-110	<	1				
C10	424209-4	SPONGE SHEET 50-50		2				
D10		INC. 3						
020C	188991-6	HOUSING SET		1				
020D	188998-2	HOUSING SET		1				
021	815G97-6	DCL182 NAME PLATE		1				
022	266429-2	TAPPING SCREW 3X16		9				
023	166084-9	DUST BAG		1				
024	141088-2	VALVE STAY COMPLETE		1				
025	424094-5	PACKING		1				
026C	452344-8	INLET		1				
026D	452345-6	INLET		1				
027	268271-7	PIN 3		1				
028	233580-3	TORSION SPRING 4		1				
C10	451410-8	ROLLER		4	*			
C20	268208-4	PIN 3		4	*			

