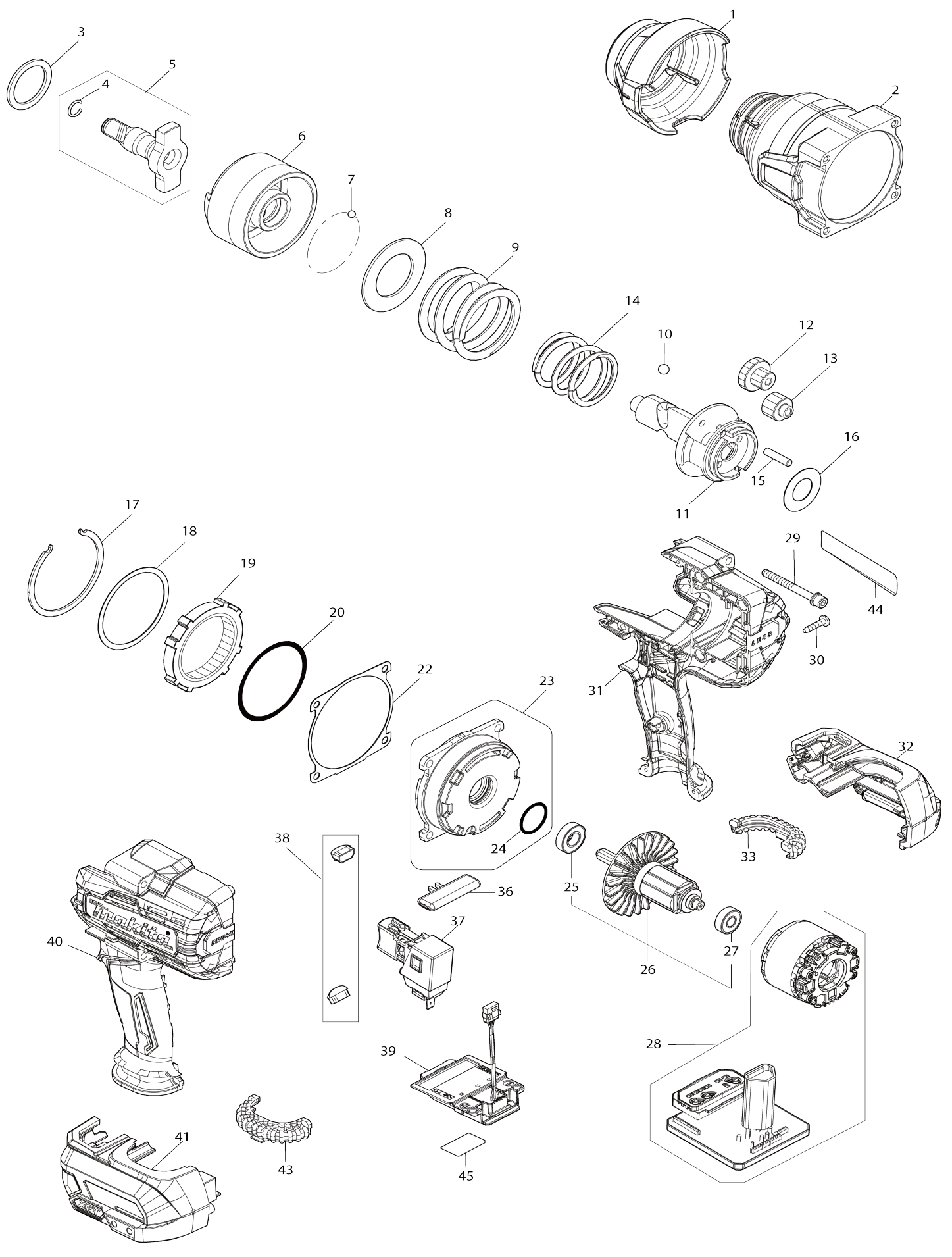


Model No.TW002G CORDLESS IMPACT WRENCH



Model No.TW002G CORDLESS IMPACT WRENCH

Item No.	Parts No.	Description	Interchangability	Q'ty	New/Old	Note1	Note2
001	422594-9	BUMPER		1			
002	141V80-0	Hammer case complete		1			
003	267250-2	FLAT WASHER 30		1			
004	232323-0	RING SPRING 10		1			
005	137152-5	ANVIL W ASS'Y		1			
005		INC. 4					
006	327D63-8	Hammer		1			
007	216002-8	STEEL BALL 4.8		27			
008	253604-9	Flat washer 35		1			
009	232869-6	Compression spring 46		1			
010	216009-4	STEEL BALL 7.1		2			
011	327D62-0	Spindle		1			
012	226990-1	SPUR GEAR 11-22		2			
013	227935-2	SPUR GEAR 15		2			
014	232870-1	Compression spring 34		1			
015	268238-5	PIN 5		4			
016	267235-8	FLAT WASHER 18		1			
017	346947-7	RETAINER		1			
018	253479-6	FLAT WASHER 57		1	*		
019	226991-9	INTERNAL GEAR 50		1			
020	213663-5	O RING 55		1			
022	422595-7	GASKET		1			
023	136279-8	INTERNAL GEAR CASE ASS'Y		1	*		
023		INC. 24			*		
023-1	137326-8	INTERNAL GEAR CASE ASS'Y	S	1			
023-1		INC. 24					
024	213961-7	O RING 22		1			
025	210069-8	BALL BEARING 6900DDW		1			
026	510604-5	ROTOR ASSY		1			
026		INC. 25,27					
027	210169-4	BALL BEARING 607LLB		1			
028	520195-8	STATOR ASSY 36V		1			
C10	8012S9-8	SWITCH LABEL		1			
029	265B38-6	H. S. HEAD BOLT M5X50 WITH WRM		4			
030	265995-6	TAPPING SCREW 4X18		9	*		
030-1	265E16-4	Tapping screw 4X18	<	9			
031	1830R8-6	HOUSING SET		1	*		
031		INC. 40			*		
031-1	1831B9-8	HOUSING SET	<	1			
031-1		INC. 40					
032	183S33-5	BATTERY HOUSING SET		1			
C10	263005-3	RUBBER PIN 6		2			
C20	252126-6	HEX. LOCK NUT M4-7		4			
032		INC. 41					
033	422A55-5	CUSHION RUBBER		1			
036	456268-0	F/R CHANGE LEVER		1			
037	141V82-6	Switch complete		1			

C10	424774-3	SWITCH COVER		1		
038	620N85-0	LED circuit		1		
039	632P49-4	TERMINAL UNIT		1	*	
039-1	632W77-1	TERMINAL UNIT	<	1		
040	1830R8-6	HOUSING SET		1	*	
040		INC. 31			*	
040-1	1831B9-8	HOUSING SET	<	1		
040-1		INC. 31				
041	183S33-5	BATTERY HOUSING SET		1		
C10	263005-3	RUBBER PIN 6		2		
C20	252126-6	HEX. LOCK NUT M4-7		4		
041		INC. 32				
043	422A55-5	CUSHION RUBBER		1		
044	8145L6-4	TW002G NAME PLATE		1		
045	8145L8-0	TW002G SERIAL NO. LABEL		1		
A01	251314-2	+ TRUSS HEAD SCREW M4X12		2		
A02	346949-3	HOOK		1		
A03B	821551-8	CONNECTOR PLASTIC CASE (TYP E3)		1		
C10	453974-8	LATCH		4		
A04B	835K85-1	INNER TRAY		1		
A05B	***DC40RA	DC40RA FAST CHARGER		1		
A05B		COMPO-PARTS				
A06B	412393-7	BATTERY COVER		2		
A07B	191B26-6	BATTERY BL4040 SET		2		
F01	191G67-2	EXTENSION HANDLE SET		1		

Please state Parts No. when your order.

Print Date 06/09/2025