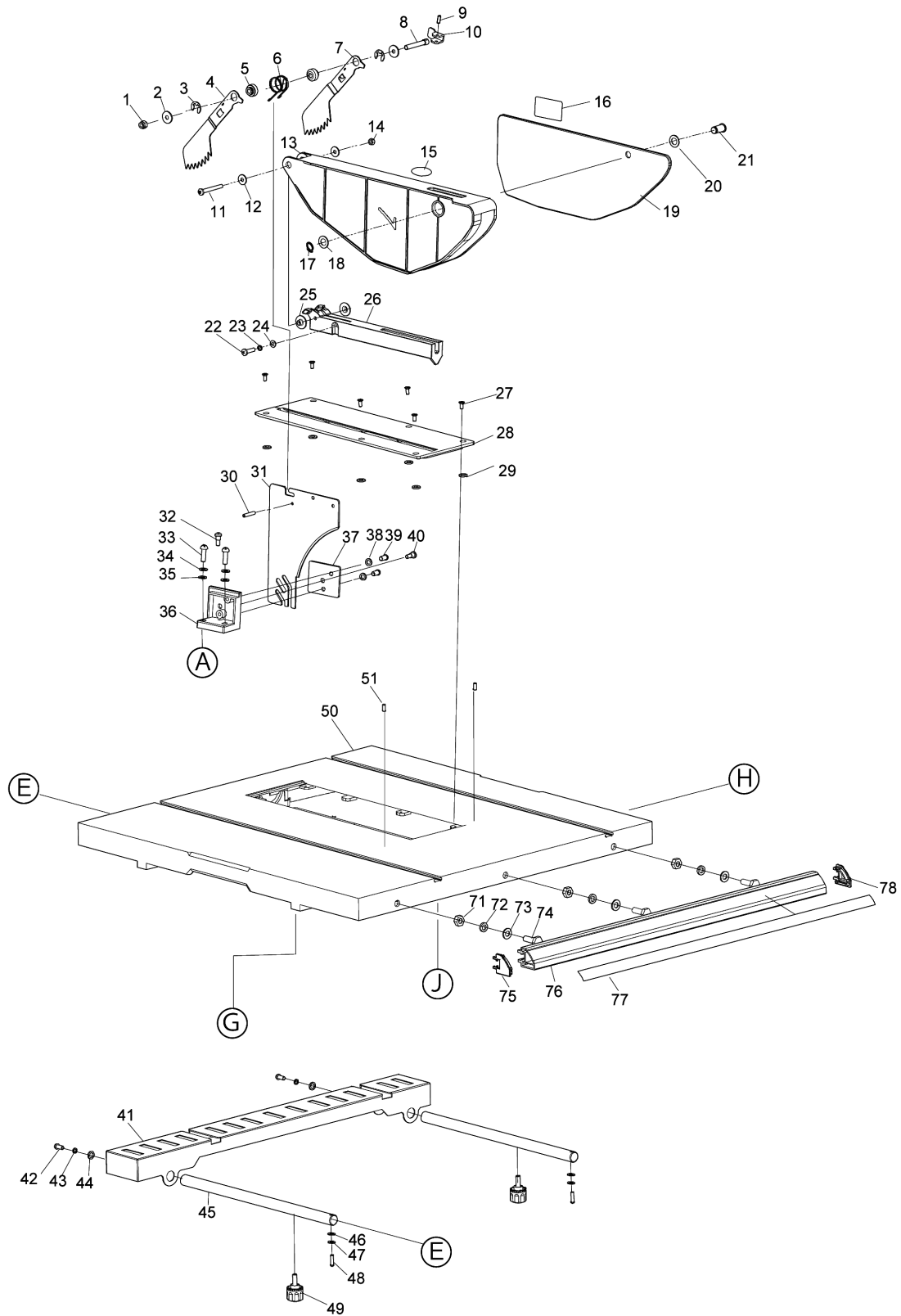
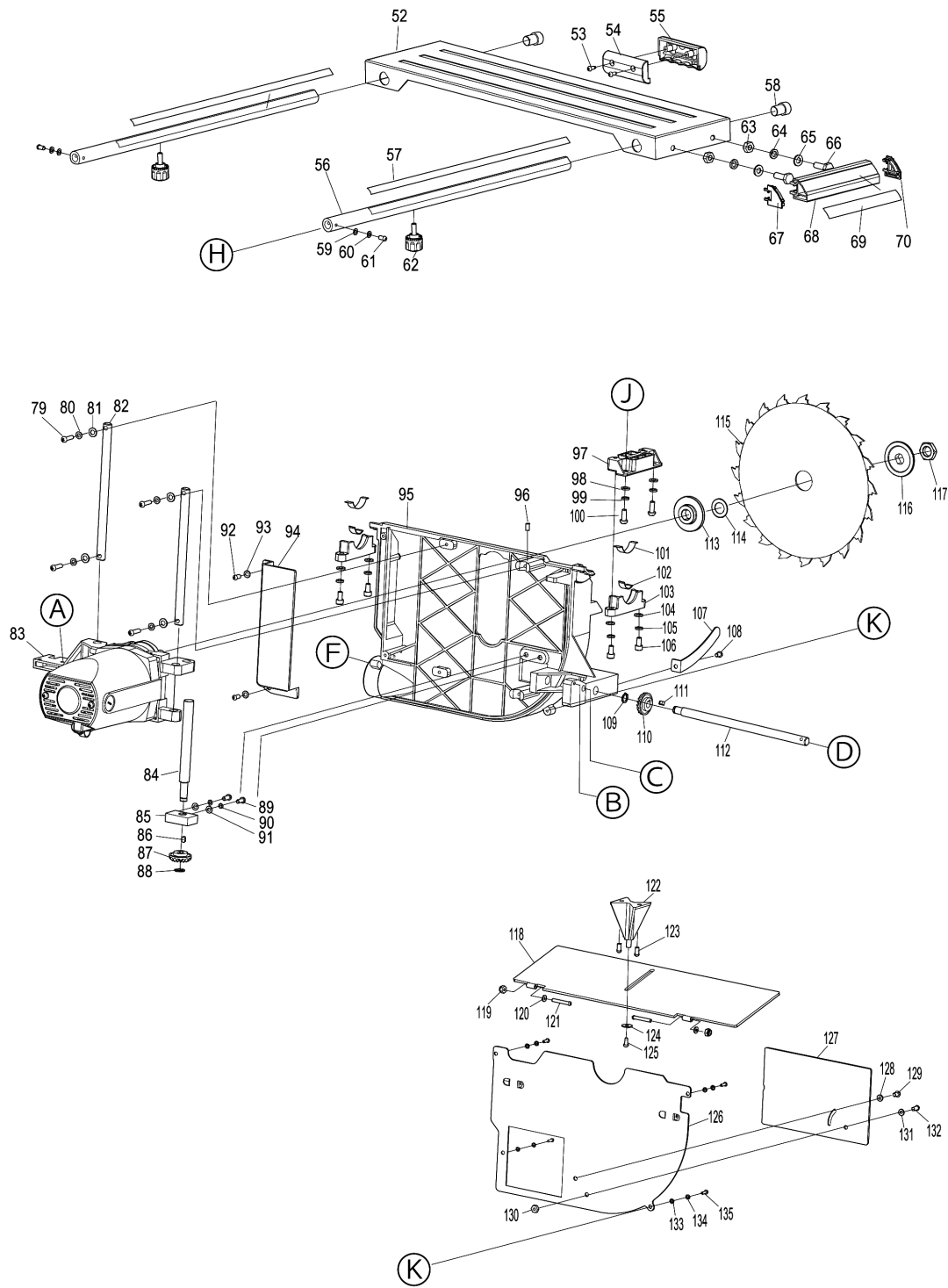


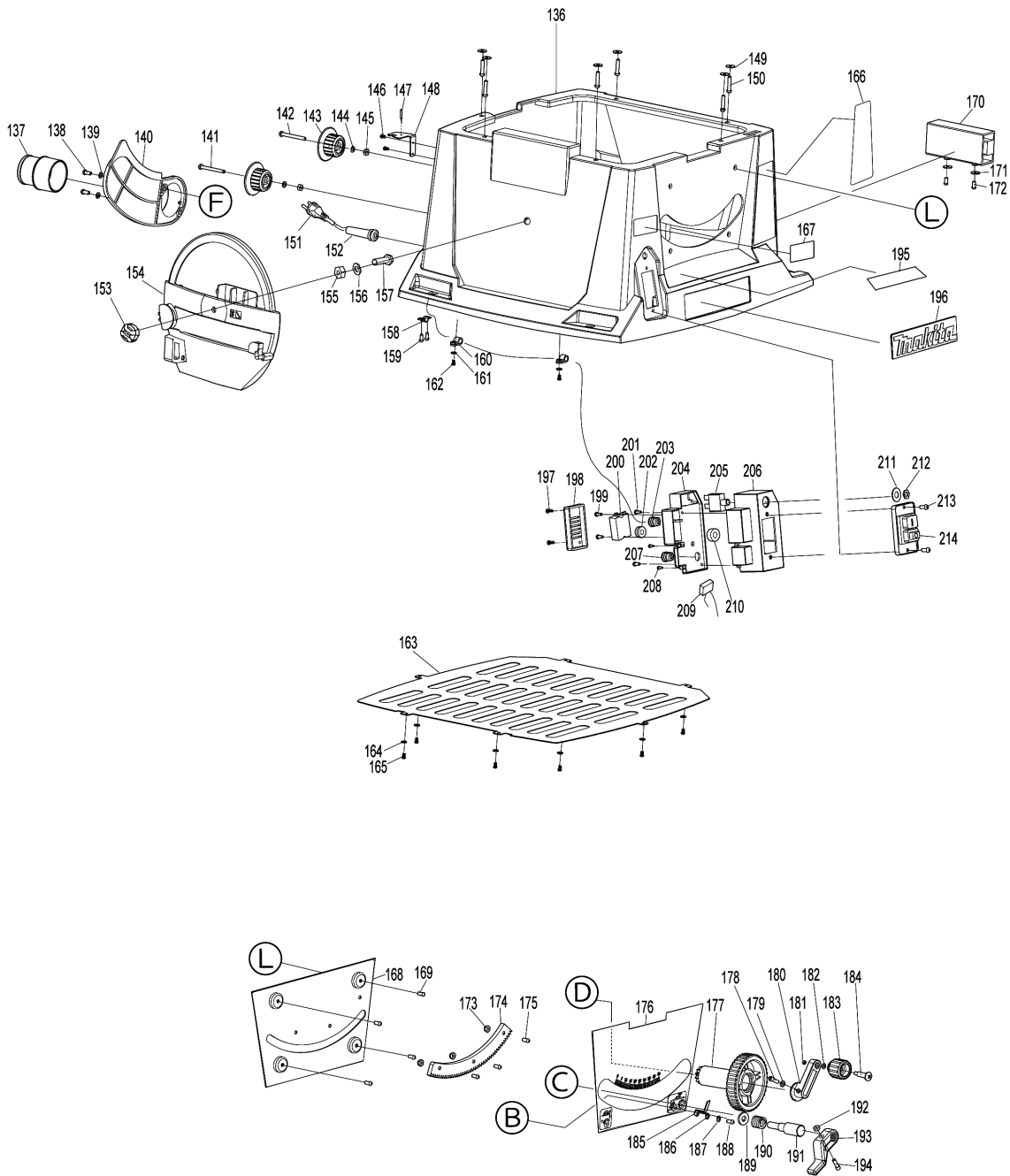
Model No.MLT100N 260MM TABLE SAW



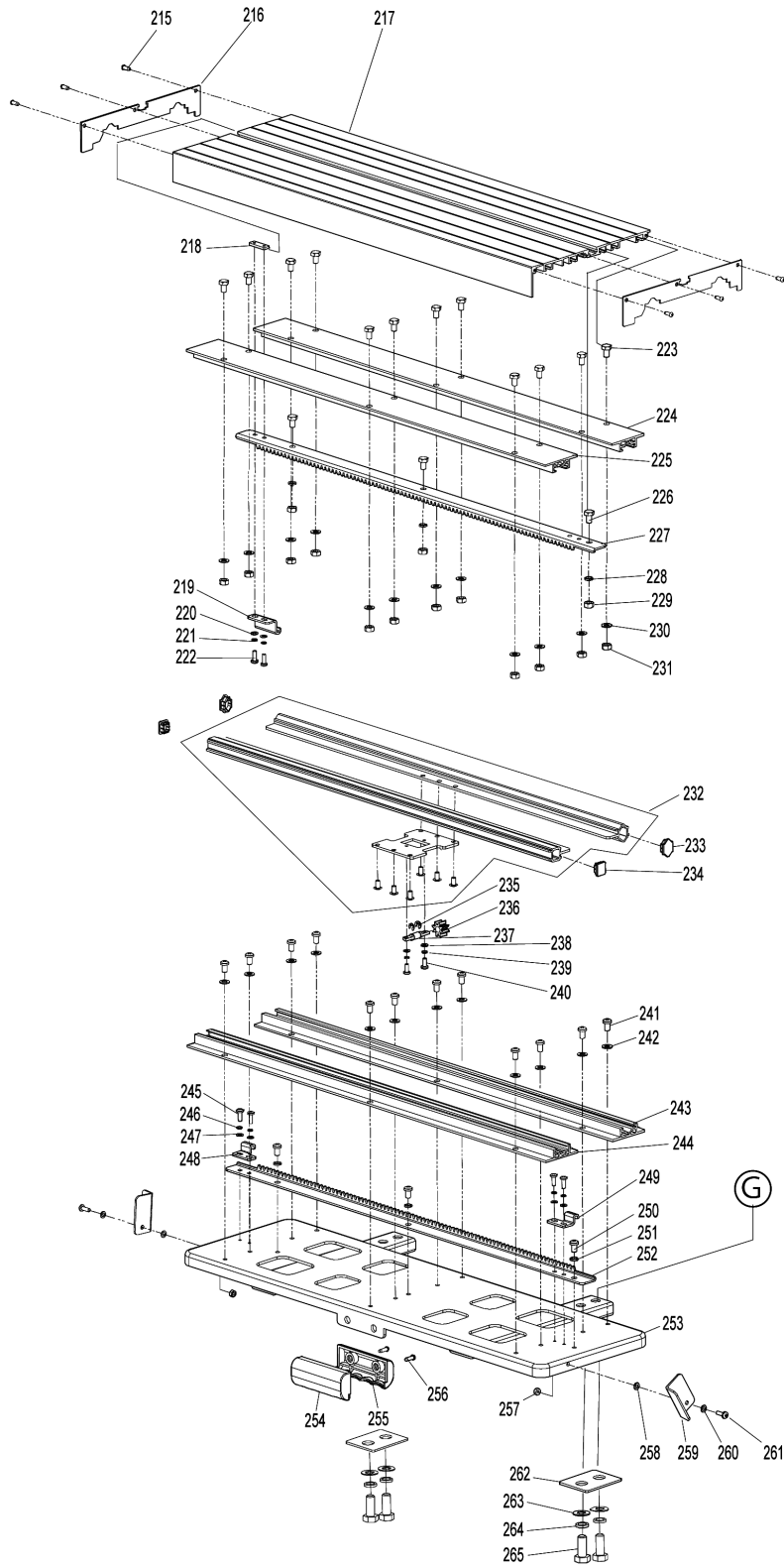
Model No.MLT100N 260MM TABLE SAW



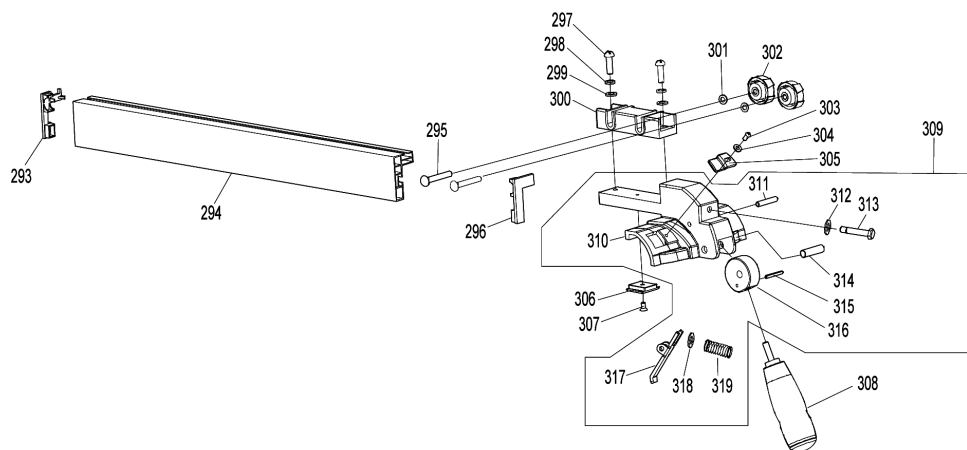
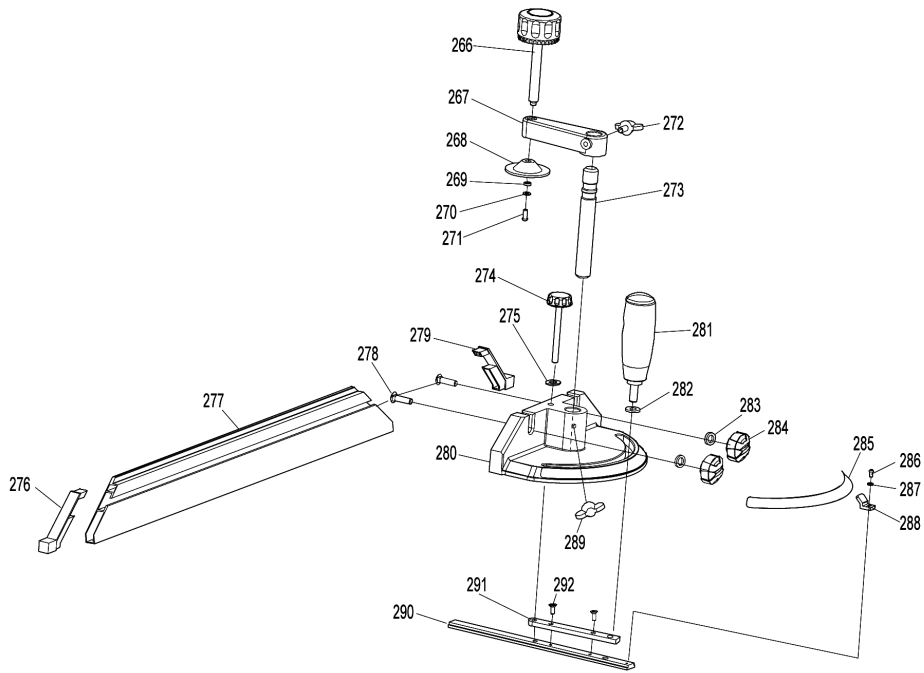
Model No.MLT100N 260MM TABLE SAW



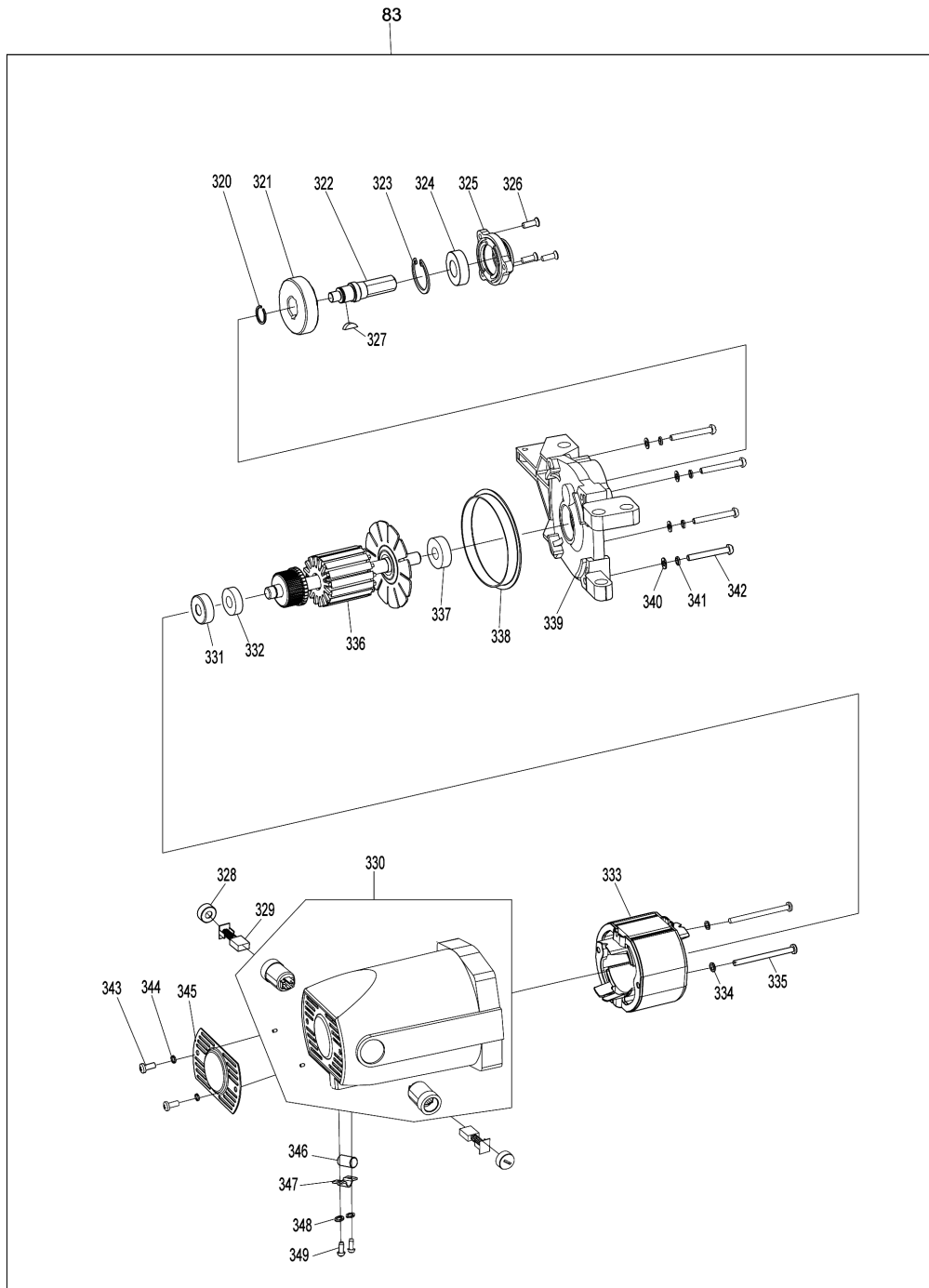
Model No.MLT100N 260MM TABLE SAW



Model No.MLT100N 260MM TABLE SAW



Model No.MLT100N 260MM TABLE SAW



Model No.MLT100N 260MM TABLE SAW

| Tétel | Cikkszám | Megnevezés | Átalakulás | Menny. | New/Old | Eladás | Vásárlás | Megjegyzés |
|-------|------------|--------------------------------|------------|--------|---------|----------|----------|------------|
| 001 | JM27000051 | HEX LOCK NUT M6 | | 1 | | | | |
| 002 | JM27000055 | WASHER 6 (21.5) | | 2 | | | | |
| 003 | JM00000198 | E SHAPE RETAINING RING E-10 | | 2 | | | | |
| 004 | JM00000059 | ANTI KICKBACK PAWL LEFT | | 1 | | | | |
| 005 | JM00000057 | SPACER RING 6 | | 2 | | | | |
| 006 | JM00000058 | TORSION SPRING | | 1 | | | | |
| 007 | JM00000056 | ANTI KICKBACK PAWL RIGHT | | 1 | | | | |
| 008 | JM00000055 | TENSION BOLT M6X47 | | 1 | | | | |
| 009 | JM27000059 | PIN 4X12 | | 1 | | | | |
| 010 | JM27000061 | QUICK FIXING LEVER | | 1 | | | | |
| 011 | JM00000052 | TAMPERPROOF STEPPED BOLT M5X47 | | 1 | | | | |
| 012 | JM27000055 | WASHER 6 (21.5) | | 2 | | | | |
| 013 | JM00000054 | BLADE GUARD | | 1 | | | | |
| 014 | JM27000183 | HEX LOCK NUT M5 | | 1 | | | | |
| 015 | JM2708B060 | WARNING LABEL | | 1 | | | | |
| 016 | JM27080108 | CAUTION LABEL | | 1 | | | | |
| 017 | JM27000163 | RETAINING RING S-10 | | 1 | | 130,00 | | |
| 018 | JM27000064 | FLAT WASHER 10 | | 1 | | | | |
| 019 | JM00000053 | SUB BLADE GUARD | | 1 | | | | |
| 020 | JM27000064 | FLAT WASHER 10 | | 1 | | | | |
| 021 | JM27000063 | PIN 10X21.5 | | 1 | | | | |
| 022 | JM27000156 | PAN HEAD SCREW M5X20 | | 1 | | | | |
| 023 | JM27000048 | SPRING WASHER 5 | | 1 | | | | |
| 024 | JM27000155 | FLAT WASHER 5 | | 1 | | | | |
| 025 | JM27000352 | FLANGED WASHER | | 2 | | | | |
| 026 | JM00000051 | BLADE GUARD STAND | | 1 | | | | |
| 027 | JM27000066 | FLAT HEAD SCREW M4X8 | | 6 | | 130,00 | | |
| 028 | JM27000067 | TABLE INSERT (PLASTIC) | | 1 | | 1.800,00 | | |
| 029 | JM27000453 | O-RING 2.5X1.5 | | 6 | | | | |
| 030 | JM00000049 | SPRING PIN 4X25 | | 1 | | | | |
| 031 | JM00000048 | RIVING KNIFE | | 1 | | | | |
| 032 | JM00000047 | TAMPERPROOF STEPPED BOLT M5X20 | | 1 | | | | |
| 033 | JM27000149 | HEX SOCKET HEAD BOLT M6X20 | | 2 | | 150,00 | | |
| 034 | JM27000017 | SPRING WASHER 6 | | 2 | | 130,00 | | |
| 035 | JM27000024 | FLAT WASHER 6 | | 2 | | 130,00 | | |
| 036 | JM27000148 | BRACKET FOR RIVING KNIFE | | 1 | | 850,00 | | |
| 037 | JM27000151 | FIX PLATE FOR RIVING KNIFE | | 1 | | 425,00 | | |
| 038 | JM27000017 | SPRING WASHER 6 | | 2 | | 130,00 | | |

Please order the parts with part number.

Print Date 2019/11/26

Model No.MLT100N 260MM TABLE SAW

| Tétel | Cikkszám | Megnevezés | Átalakulás | Menny. | New/Old | Eladás | Vásárlás | Megjegyzés |
|-------|------------|--------------------------------|------------|--------|---------|--------|----------|------------|
| 039 | JM27000149 | HEX SOCKET HEAD BOLT M6X20 | | 2 | | 150,00 | | |
| 040 | JM00000046 | TAMPERPROOF STEPPED BOLT M5X15 | | 1 | | | | |
| 041 | JM27000045 | REAR EXTENSION TABLE | | 1 | | | | |
| 042 | JM27000167 | PAN HEAD SCREW M5X12 | | 2 | | | | |
| 043 | JM27000048 | SPRING WASHER 5 | | 2 | | | | |
| 044 | JM27000047 | WASHER 5 (L) | | 2 | | 130,00 | | |
| 045 | JM27000044 | SLIDE SHAFT 330 | | 2 | | | | |
| 046 | JM27000155 | FLAT WASHER 5 | | 2 | | | | |
| 047 | JM27000048 | SPRING WASHER 5 | | 2 | | | | |
| 048 | JM27000167 | PAN HEAD SCREW M5X12 | | 2 | | | | |
| 049 | JM27000043 | KNOB BOLT M6X20 | | 2 | | 340,00 | | |
| 050 | JM00000003 | MAIN TABLE B COMPLETE | | 1 | | | | |
| 051 | JM27000339 | H.S.SET SCREW M6X20 WITH GLUE | | 2 | | | | |
| 052 | JM27000068 | RIGHT EXTENSION TABLE | | 1 | | | | |
| 053 | JM27000004 | TAPPING SCREW ST3.9X12 | | 2 | | 130,00 | | |
| 054 | JM27000006 | GRIP (INSIDE) | | 1 | | 460,00 | | |
| 055 | JM27000005 | GRIP (OUTSIDE) | | 1 | | 460,00 | | |
| 056 | JM27000425 | SLIDE PIPE 630 | | 2 | | | | |
| 057 | JM27000428 | SCALE LABEL SL-PIPE (METRIC) | | 2 | | | | |
| 058 | JM27000069 | HEX SOCKET HEAD BOLT M14X20 | | 2 | | 280,00 | | |
| 059 | JM27000155 | FLAT WASHER 5 | | 2 | | | | |
| 060 | JM27000048 | SPRING WASHER 5 | | 2 | | | | |
| 061 | JM27000167 | PAN HEAD SCREW M5X12 | | 2 | | | | |
| 062 | JM27000043 | KNOB BOLT M6X20 | | 2 | | 340,00 | | |
| 063 | JM27000070 | HEX NUT M8 | | 2 | | | | |
| 064 | JM27000071 | SPRING WASHER 8 | | 2 | | | | |
| 065 | JM27000072 | FLAT WASHER 8 | | 2 | | | | |
| 066 | JM27000073 | SQUARE NECK BOLT M8X25 | | 2 | | | | |
| 067 | JM27000078 | FRONT RAIL END CAP LEFT | | 1 | | 110,00 | | |
| 068 | JM27000075 | FRONT RAIL FOR RIGHT EX-TABLE | | 1 | | | | |
| 069 | JM27000335 | SCALE LABEL EX-TABLE (METRIC) | | 1 | | | | |
| 070 | JM27000074 | FRONT RAIL END CAP RIGHT | | 1 | | 110,00 | | |
| 071 | JM27000070 | HEX NUT M8 | | 3 | | | | |
| 072 | JM27000071 | SPRING WASHER 8 | | 3 | | | | |
| 073 | JM27000072 | FLAT WASHER 8 | | 3 | | | | |
| 074 | JM27000073 | SQUARE NECK BOLT M8X25 | | 3 | | | | |
| 075 | JM27000078 | FRONT RAIL END CAP LEFT | | 1 | | 110,00 | | |

Please order the parts with part number.

Print Date 2019/11/26

Model No.MLT100N 260MM TABLE SAW

| Tétel | Cikkszám | Megnevezés | Átalakulás | Menny. | New/Old | Eladás | Vásárlás | Megjegyzés |
|-------|------------|-------------------------------|------------|--------|---------|-----------|----------|------------|
| 076 | JM27000082 | FRONT RAIL | | 1 | | | | |
| 077 | JM27000333 | SCALE LABEL (METRIC) | | 1 | | | | |
| 078 | JM27000074 | FRONT RAIL END CAP RIGHT | | 1 | | 110,00 | | |
| 079 | JM27000156 | PAN HEAD SCREW M5X20 | | 4 | | | | |
| 080 | JM27000048 | SPRING WASHER 5 | | 4 | | | | |
| 081 | JM27000155 | FLAT WASHER 5 | | 4 | | | | |
| 082 | JM27000157 | SLIDE SHAFT FOR BLADE LIFTING | | 2 | | 980,00 | | |
| 083 | JM27000147 | MOTOR ASSEMBLY 230V | | 1 | | 57.190,00 | | |
| D10 | | INC. 320-349 | | | | | | |
| 084 | JM27000158 | SLIDE SCREW FOR BLADE LIFTING | | 1 | | 730,00 | | |
| 085 | JM27000160 | BRACKET FOR SLIDE SCREW | | 1 | | 925,00 | | |
| 086 | JM27000159 | KEY 4X8 | | 1 | | 515,00 | | |
| 087 | JM27000162 | BEVEL GEAR FOR BLADE LIFTING | | 1 | | 380,00 | | |
| 088 | JM27000163 | RETAINING RING S-10 | | 1 | | 130,00 | | |
| 089 | JM27000161 | HEX SOCKET HEAD BOLT M5X20 | | 2 | | | | |
| 090 | JM27000048 | SPRING WASHER 5 | | 2 | | | | |
| 091 | JM27000155 | FLAT WASHER 5 | | 2 | | | | |
| 092 | JM27000042 | PAN HEAD SCREW M5X10 | | 2 | | | | |
| 093 | JM27000155 | FLAT WASHER 5 | | 2 | | | | |
| 094 | JM27000154 | COVER PLATE FOR BLADE CASE | | 1 | | | | |
| 095 | JM27000153 | BLADE CASE LEFT SIDE | | 1 | | 12.370,00 | | |
| 096 | JM27000172 | H.S.SET SCREW M6X12 WITH GLUE | | 1 | | | | |
| 097 | JM27000112 | BLADE CASE FIX BRACKET SPACER | | 1 | | | | |
| 098 | JM27000024 | FLAT WASHER 6 | | 2 | | 130,00 | | |
| 099 | JM27000017 | SPRING WASHER 6 | | 2 | | 130,00 | | |
| 100 | JM27000111 | HEX BOLT M6X16 | | 2 | | | | |
| 101 | JM27000152 | RETAINER PLATE FOR BLADE CASE | | 2 | | 130,00 | | |
| 102 | JM27000173 | SPRING FOR BLADE CASE BRACKET | | 2 | | 130,00 | | |
| 103 | JM27000039 | FIX BRACKET FOR BLADE CASE | | 2 | | 310,00 | | |
| 104 | JM27000024 | FLAT WASHER 6 | | 4 | | 130,00 | | |
| 105 | JM27000017 | SPRING WASHER 6 | | 4 | | 130,00 | | |
| 106 | JM27000038 | PAN HEAD SCREW M6X16 | | 4 | | 110,00 | | |
| 107 | JM27000170 | PROTECTION PLATE | | 1 | | | | |
| 108 | JM27000042 | PAN HEAD SCREW M5X10 | | 1 | | | | |
| 109 | JM27000163 | RETAINING RING S-10 | | 1 | | 130,00 | | |
| 110 | JM27000162 | BEVEL GEAR FOR BLADE LIFTING | | 1 | | 380,00 | | |

Please order the parts with part number.

Print Date 2019/11/26

Model No.MLT100N 260MM TABLE SAW

| Tétel | Cikkszám | Megnevezés | Átalakulás | Menny. | New/Old | Eladás | Vásárlás | Megjegyzés |
|-------|------------|-------------------------------|------------|--------|---------|-----------|----------|------------|
| 111 | JM27000159 | KEY 4X8 | | 1 | | 515,00 | | |
| 112 | JM27000165 | HANDLE AXLE FOR BLADE LIFTING | | 1 | | | | |
| 113 | JM27000171 | INNER FLANGE 52 | | 1 | | 470,00 | | |
| 114 | JM27000100 | BLADE INNER LING 30.0 | | 1 | | | | |
| 115 | JM27000097 | SAW BLADE 260X30 | | 1 | | | | |
| 116 | JM27000179 | OUTER FLANGE 52 | | 1 | | 430,00 | | |
| 117 | JM27000180 | HEX NUT M16 | | 1 | | 190,00 | | |
| 118 | JM27000178 | PROTECTION PLATE 397X123 | | 1 | | 1.710,00 | | |
| 119 | JM27000176 | HEX LOCK NUT M3 | | 2 | | | | |
| 120 | JM27000175 | WASHER 3 (L) | | 2 | | | | |
| 121 | JM27000174 | PAN HEAD SCREW M3X25 | | 2 | | | | |
| 122 | JM27000184 | SUPPORT BRACKET | | 1 | | 320,00 | | |
| 123 | JM27000042 | PAN HEAD SCREW M5X10 | | 2 | | | | |
| 124 | JM27000109 | WASHER 4 (L) | | 1 | | | | |
| 125 | JM27000177 | TAPPING SCREW ST3.9X10 | | 1 | | 130,00 | | |
| 126 | JM27000181 | BLADE CASE RIGHT SIDE | | 1 | | 1.770,00 | | |
| 127 | JM27000182 | BLADE CASE PLATE | | 1 | | 710,00 | | |
| 128 | JM27000047 | WASHER 5 (L) | | 1 | | 130,00 | | |
| 129 | JM27000042 | PAN HEAD SCREW M5X10 | | 1 | | | | |
| 130 | JM27000183 | HEX LOCK NUT M5 | | 1 | | | | |
| 131 | JM27000047 | WASHER 5 (L) | | 1 | | 130,00 | | |
| 132 | JM27000042 | PAN HEAD SCREW M5X10 | | 1 | | | | |
| 133 | JM27000009 | FLAT WASHER 4 | | 4 | | 130,00 | | |
| 134 | JM27000013 | SPRING WASHER 4 | | 4 | | 130,00 | | |
| 135 | JM27000027 | PAN HEAD SCREW M4X10 | | 4 | | 130,00 | | |
| 136 | JM27000106 | CABINET | | 1 | | 25.690,00 | | |
| 137 | JM27000090 | CUFFS 57-45 | | 1 | | 270,00 | | |
| 138 | JM27000011 | PAN HEAD SCREW M4X12 | | 2 | | 130,00 | | |
| 139 | JM27000009 | FLAT WASHER 4 | | 2 | | 130,00 | | |
| 140 | JM27000089 | SAW DUST OUTLET | | 1 | | | | |
| 141 | JM27000092 | HEX BOLT M6X55 | | 1 | | | | |
| 142 | JM27000091 | HEX BOLT M6X65 | | 1 | | | | |
| 143 | JM27000093 | CORD HANGER | | 2 | | | | |
| 144 | JM27000024 | FLAT WASHER 6 | | 2 | | 130,00 | | |
| 145 | JM27000032 | HEX NUT M6 | | 2 | | 130,00 | | |
| 146 | JM27000177 | TAPPING SCREW ST3.9X10 | | 2 | | 130,00 | | |
| 147 | JM00000049 | SPRING PIN 4X25 | | 1 | | | | |
| 148 | JM00000050 | ANTI KICKBACK PAWL HANGER | | 1 | | | | |
| 149 | JM27000047 | WASHER 5 (L) | | 6 | | 130,00 | | |
| 150 | JM27000156 | PAN HEAD SCREW M5X20 | | 6 | | | | |

Please order the parts with part number.

Print Date 2019/11/26

Model No.MLT100N 260MM TABLE SAW

| Tétel | Cikkszám | Megnevezés | Átalakulás | Menny. | New/Old | Eladás | Vásárlás | Megjegyzés |
|-------|------------|--------------------------------|------------|--------|---------|----------|----------|------------|
| 151 | JM23000156 | POWER SUPPLY CORD ASSY EURO | | 1 | | | | |
| 152 | JM27000094 | CORD GUARD | | 1 | | | | |
| 153 | JM27000085 | KNOB NUT M10 | | 1 | | 455,00 | | |
| 154 | JM00000147 | TOOL CASE ASSY | | 1 | | | | |
| 155 | JM00000135 | HEX NUT M10 | | 1 | | | | |
| 156 | JM27000003 | FLAT WASHER 10 | | 1 | | | | |
| 157 | JM27000104 | HEX BOLT M10X45 | | 1 | | | | |
| 158 | JM27000102 | CORD CLAMP | | 1 | | | | |
| 159 | JM27000103 | TAPPING SCREW ST3.9X16 | | 2 | | | | |
| 160 | JM27000332 | R-TYPE CABLE CLAMP | | 2 | | | | |
| 161 | JM27000109 | WASHER 4 (L) | | 2 | | | | |
| 162 | JM27000004 | TAPPING SCREW ST3.9X12 | | 2 | | 130,00 | | |
| 163 | JM27000108 | UNDER PANEL | | 1 | | 6.890,00 | | |
| 164 | JM27000109 | WASHER 4 (L) | | 6 | | | | |
| 165 | JM27000004 | TAPPING SCREW ST3.9X12 | | 6 | | 130,00 | | |
| 167 | JM00000009 | NAME PLATE | | 1 | | | | |
| 168 | JM27000143 | SUPPORT PLATE FOR ADJUST RACK | | 1 | | | | |
| 169 | JM27000144 | FLAT HEAD SCREW M5X8 | | 4 | | | | |
| 170 | JM27000145 | RIP FENCE HOLDER | | 1 | | | | |
| 171 | JM27000109 | WASHER 4 (L) | | 2 | | | | |
| 172 | JM27000004 | TAPPING SCREW ST3.9X12 | | 2 | | 130,00 | | |
| 173 | JM27000183 | HEX LOCK NUT M5 | | 3 | | | | |
| 174 | JM27000142 | BLADE ANGLE ADJUSTING RACK | | 1 | | 660,00 | | |
| 175 | JM27000317 | FLAT HEAD SCREW M5X16 | | 3 | | | | |
| 176 | JM27000110 | FRONT PANEL LABEL | | 1 | | 600,00 | | |
| 177 | JM27000166 | ADJUSTING GRIP FOR BLADE ANGLE | | 1 | | 900,00 | | |
| 178 | JM27000167 | PAN HEAD SCREW M5X12 | | 1 | | | | |
| 179 | JM27000155 | FLAT WASHER 5 | | 1 | | | | |
| 180 | JM00000152 | CRANK FOR BLADE LIFTING | | 1 | | | | |
| 181 | JM00000151 | HEX NUT M5 | | 1 | | | | |
| 182 | JM27000155 | FLAT WASHER 5 | | 1 | | | | |
| 183 | JM00000153 | GRIP FOR BLADE LIFTING | | 1 | | | | |
| 184 | JM27000169 | PAN HEAD STEPPED SCREW M5X37 | | 1 | | 130,00 | | |
| 185 | JM27000164 | BLADE ANGLE POINTER | | 1 | | | | |
| 186 | JM27000009 | FLAT WASHER 4 | | 1 | | 130,00 | | |
| 187 | JM27000013 | SPRING WASHER 4 | | 1 | | 130,00 | | |
| 188 | JM27000027 | PAN HEAD SCREW M4X10 | | 1 | | 130,00 | | |
| 189 | JM27000141 | FLAT WASHER 10 | | 1 | | | | |
| 190 | JM27000140 | COMPRESSION SPRING | | 1 | | | | |

Please order the parts with part number.

Print Date 2019/11/26

Model No.MLT100N 260MM TABLE SAW

| Tétel | Cikkszám | Megnevezés | Átalakulás | Menny. | New/Old | Eladás | Vásárlás | Megjegyzés |
|-------|------------|------------------------------|------------|--------|---------|-----------|----------|------------|
| 191 | JM27000139 | BLADE ANGLE LOCKING BOLT | | 1 | | | | |
| 192 | JM27000032 | HEX NUT M6 | | 1 | | 130,00 | | |
| 193 | JM27000138 | LOCK HANDLE FOR BLADE ANGLE | | 1 | | 210,00 | | |
| 194 | JM27000137 | HEX SOCKET HEAD BOLT M6X12 | | 1 | | | | |
| 195 | JM27080020 | WARNING LABEL | | 1 | | | | |
| 196 | JM27000113 | MAKITA LOGO PLATE | | 1 | | | | |
| 197 | JM27000114 | TAPPING SCREW ST2.9X10 | | 2 | | | | |
| 198 | JM27000115 | SOFT START DEVICE COVER | | 1 | | | | |
| 199 | JM27000117 | TAPPING SCREW ST2.9X8 | | 2 | | | | |
| 200 | JM27000116 | SOFT START DEVICE | | 1 | | 3.380,00 | | |
| 201 | JM27000004 | TAPPING SCREW ST3.9X12 | | 2 | | 130,00 | | |
| 202 | JM00000157 | GROMMET | | 1 | | | | |
| 203 | JM27000118 | CORD CLAMP | | 1 | | | | |
| 204 | JM27000119 | SWITCH BOX COVER | | 1 | | | | |
| 205 | JM27000121 | CIRCUIT BREAKER 220-240V | | 1 | | 1.400,00 | | |
| 206 | JM27000120 | SWITCH BOX | | 1 | | | | |
| 207 | JM00000155 | CORD CLAMP | | 1 | | | | |
| 208 | JM27000114 | TAPPING SCREW ST2.9X10 | | 2 | | | | |
| 209 | JM27000342 | CAPACITOR | | 1 | | | | |
| 210 | JM00000134 | FERRITE RING | | 1 | | | | |
| 211 | JM27000122 | LABEL FOR CIRCUIT BREAKER | | 1 | | | | |
| 212 | JM27000123 | NUT FOR CIRCUIT BREAKER | | 1 | | 110,00 | | |
| 213 | JM27000136 | PAN HEAD SCREW M4X14 | | 2 | | | | |
| 214 | JM27000443 | ANTI RESTART SWITCH 220-240V | | 1 | | 3.900,00 | | |
| 215 | JM27000037 | TAPPING SCREW ST3.9X8 | | 6 | | 130,00 | | |
| 216 | JM27000036 | SLIDING TABLE COVER | | 2 | | 1.660,00 | | |
| 217 | JM27000035 | SLIDING TABLE | | 1 | | 13.280,00 | | |
| 218 | JM27000034 | PLATE NUT M4 | | 1 | | 140,00 | | |
| 219 | JM27000031 | SLIDE LIMITER LOWER REAR | | 1 | | 840,00 | | |
| 220 | JM27000009 | FLAT WASHER 4 | | 2 | | 130,00 | | |
| 221 | JM27000013 | SPRING WASHER 4 | | 2 | | 130,00 | | |
| 222 | JM27000011 | PAN HEAD SCREW M4X12 | | 2 | | 130,00 | | |
| 223 | JM27000033 | HEX BOLT M6X10 | | 12 | | 130,00 | | |
| 224 | JM27000022 | V-SLIDER RAIL OUTSIDE | | 1 | | 2.390,00 | | |
| 225 | JM27000014 | SQUARE SLIDER RAIL OUTSIDE | | 1 | | 6.240,00 | | |
| 226 | JM27000033 | HEX BOLT M6X10 | | 3 | | 130,00 | | |
| 227 | JM27000018 | RACK FOR SLIDE TABLE | | 1 | | 600,00 | | |

Please order the parts with part number.

Print Date 2019/11/26

Model No.MLT100N 260MM TABLE SAW

| Tétel | Cikkszám | Megnevezés | Átalakulás | Menny. | New/Old | Eladás | Vásárlás | Megjegyzés |
|-------|------------|------------------------------|------------|--------|---------|-----------|----------|------------|
| 228 | JM27000024 | FLAT WASHER 6 | | 3 | | 130,00 | | |
| 229 | JM27000032 | HEX NUT M6 | | 3 | | 130,00 | | |
| 230 | JM27000024 | FLAT WASHER 6 | | 12 | | 130,00 | | |
| 231 | JM27000032 | HEX NUT M6 | | 12 | | 130,00 | | |
| 232 | JM00000149 | SLIDE RAIL ASSY | | 1 | | | | |
| 233 | JM27000021 | V-SLIDER RAIL END CAP | | 2 | | 140,00 | | |
| 234 | JM27000020 | SQUARE SLIDER RAIL END CAP | | 2 | | 140,00 | | |
| 235 | JM27000029 | E SHAPE RETAINING RING 6 | | 2 | | 190,00 | | |
| 236 | JM27000025 | PINION GEAR FOR SLIDE TABLE | | 1 | | 730,00 | | |
| 237 | JM27000028 | PINION GEAR AXLE | | 1 | | 270,00 | | |
| 238 | JM27000009 | FLAT WASHER 4 | | 2 | | 130,00 | | |
| 239 | JM27000013 | SPRING WASHER 4 | | 2 | | 130,00 | | |
| 240 | JM27000027 | PAN HEAD SCREW M4X10 | | 2 | | 130,00 | | |
| 241 | JM27000016 | PAN HEAD SCREW M6X10 | | 12 | | 130,00 | | |
| 242 | JM27000024 | FLAT WASHER 6 | | 12 | | 130,00 | | |
| 243 | JM27000022 | V-SLIDER RAIL OUTSIDE | | 1 | | 2.390,00 | | |
| 244 | JM27000014 | SQUARE SLIDER RAIL OUTSIDE | | 1 | | 6.240,00 | | |
| 245 | JM27000011 | PAN HEAD SCREW M4X12 | | 4 | | 130,00 | | |
| 246 | JM27000013 | SPRING WASHER 4 | | 4 | | 130,00 | | |
| 247 | JM27000009 | FLAT WASHER 4 | | 4 | | 130,00 | | |
| 248 | JM27000012 | SLIDE LIMITER LOWER REAR | | 1 | | 130,00 | | |
| 249 | JM27000019 | SLIDE LIMITER LOWER FRONT | | 1 | | 140,00 | | |
| 250 | JM27000016 | PAN HEAD SCREW M6X10 | | 3 | | 130,00 | | |
| 251 | JM27000024 | FLAT WASHER 6 | | 3 | | 130,00 | | |
| 252 | JM27000018 | RACK FOR SLIDE TABLE | | 1 | | 600,00 | | |
| 253 | JM27000008 | SLIDE TABLE BASE | | 1 | | 11.770,00 | | |
| 254 | JM27000005 | GRIP (OUTSIDE) | | 1 | | 460,00 | | |
| 255 | JM27000006 | GRIP (INSIDE) | | 1 | | 460,00 | | |
| 256 | JM27000004 | TAPPING SCREW ST3.9X12 | | 2 | | 130,00 | | |
| 257 | JM27000007 | HEX LOCK NUT M4 | | 2 | | 130,00 | | |
| 258 | JM00000154 | WAVE WASHER 4 | | 2 | | | | |
| 259 | JM27000010 | SLIDE TABLE STOPPER | | 2 | | 250,00 | | |
| 260 | JM27000009 | FLAT WASHER 4 | | 2 | | 130,00 | | |
| 261 | JM27000011 | PAN HEAD SCREW M4X12 | | 2 | | 130,00 | | |
| 262 | JM27000327 | SLIDING TABLE BASE FIX PLATE | | 2 | | | | |
| 263 | JM27000003 | FLAT WASHER 10 | | 4 | | | | |
| 264 | JM27000002 | SPRING WASHER 10 | | 4 | | | | |
| 265 | JM27000001 | HEX BOLT M10X35 | | 4 | | | | |

Please order the parts with part number.

Print Date 2019/11/26

Model No.MLT100N 260MM TABLE SAW

| Tétel | Cikkszám | Megnevezés | Átalakulás | Menny. | New/Old | Eladás | Vásárlás | Megjegyzés |
|-------|------------|-------------------------------|------------|--------|---------|----------|----------|------------|
| 266 | JM27000217 | THUMB SCREW M10X92 | | 1 | | | | |
| 267 | JM27000218 | WISE ARM | | 1 | | | | |
| 268 | JM27000219 | WISE PLATE | | 1 | | | | |
| 269 | JM27000009 | FLAT WASHER 4 | | 1 | | 130,00 | | |
| 270 | JM27000013 | SPRING WASHER 4 | | 1 | | 130,00 | | |
| 271 | JM27000027 | PAN HEAD SCREW M4X10 | | 1 | | 130,00 | | |
| 272 | JM27000210 | THUMB SCREW M6X13 | | 1 | | | | |
| 273 | JM27000216 | WISE ROD | | 1 | | | | |
| 274 | JM27000213 | THUMB SCREW M6X62 | | 1 | | | | |
| 275 | JM27000024 | FLAT WASHER 6 | | 1 | | 130,00 | | |
| 276 | JM27000220 | FENCE END CAP | | 1 | | 110,00 | | |
| 277 | JM27000221 | FENCE PLATE | | 1 | | 1.050,00 | | |
| 278 | JM27000222 | SQUARE NECK BOLT M6X30 | | 2 | | | | |
| 279 | JM27000220 | FENCE END CAP | | 1 | | 110,00 | | |
| 280 | JM27000223 | ANGLE RULE BASE | | 1 | | | | |
| 281 | JM27000215 | GRIP SCREW M8X20 | | 1 | | | | |
| 282 | JM27000212 | WASHER 8 | | 1 | | 110,00 | | |
| 283 | JM27000211 | WASHER 6 (L) | | 2 | | | | |
| 284 | JM27000203 | THUMB NUT M6 | | 2 | | 260,00 | | |
| 285 | JM27000214 | SCALE LABEL | | 1 | | | | |
| 286 | JM27000209 | PAN HEAD SCREW M3X8 | | 1 | | | | |
| 287 | JM27000208 | FLAT WASHER 3 | | 1 | | | | |
| 288 | JM27000207 | POINTER | | 1 | | | | |
| 289 | JM27000210 | THUMB SCREW M6X13 | | 1 | | | | |
| 290 | JM27000206 | SLIDING BAR | | 1 | | | | |
| 291 | JM27000225 | SLIDING BAR SPACER | | 1 | | | | |
| 292 | JM27000066 | FLAT HEAD SCREW M4X8 | | 2 | | 130,00 | | |
| 293 | JM27000205 | FENCE END CAP | | 1 | | | | |
| 294 | JM27000201 | FENCE BAR | | 1 | | | | |
| 295 | JM27000204 | SQUARE NECK BOLT M6X60 | | 2 | | 140,00 | | |
| 296 | JM27000200 | FENCE END CAP | | 1 | | | | |
| 297 | JM27000149 | HEX SOCKET HEAD BOLT M6X20 | | 2 | | 150,00 | | |
| 298 | JM27000017 | SPRING WASHER 6 | | 2 | | 130,00 | | |
| 299 | JM27000024 | FLAT WASHER 6 | | 2 | | 130,00 | | |
| 300 | JM27000199 | FENCE BRACKET | | 1 | | 830,00 | | |
| 301 | JM27000211 | WASHER 6 (L) | | 2 | | | | |
| 302 | JM27000203 | THUMB NUT M6 | | 2 | | 260,00 | | |
| 303 | JM27000198 | PAN HEAD SCREW M4X8 | | 1 | | 130,00 | | |
| 304 | JM27000009 | FLAT WASHER 4 | | 1 | | 130,00 | | |
| 305 | JM27000197 | POINTER | | 1 | | 130,00 | | |

Please order the parts with part number.

Print Date 2019/11/26

Model No.MLT100N 260MM TABLE SAW

| Tétel | Cikkszám | Megnevezés | Átalakulás | Menny. | New/Old | Eladás | Vásárlás | Megjegyzés |
|-------|------------|------------------------|------------|--------|---------|-----------|----------|------------|
| 306 | JM27000190 | FRICTION PAD | | 1 | | 130,00 | | |
| 307 | JM27000066 | FLAT HEAD SCREW M4X8 | | 1 | | 130,00 | | |
| 308 | JM27000186 | GRIP SCREW M8X10 | | 1 | | 730,00 | | |
| 309 | JM00000148 | RIP FENCE BRACKET ASSY | | 1 | | | | |
| D10 | | INC. 310-319 | | | | | | |
| 310 | JM27000192 | RIP FENCE BRACKET | | 1 | | 1.890,00 | | |
| 311 | JM27000191 | KNURLED PIN 5X30 | | 1 | | 730,00 | | |
| 312 | JM27000024 | FLAT WASHER 6 | | 1 | | 130,00 | | |
| 313 | JM27000196 | HEX BOLT M6X35 | | 1 | | 190,00 | | |
| 314 | JM27000188 | KNURLED PIN 8X30 | | 1 | | 730,00 | | |
| 315 | JM27000187 | SPRING PIN 4X30 | | 1 | | 130,00 | | |
| 316 | JM27000189 | ECCENTRIC RING | | 1 | | 730,00 | | |
| 317 | JM27000194 | RIP FENCE FIXED PLATE | | 1 | | 220,00 | | |
| 318 | JM27000024 | FLAT WASHER 6 | | 1 | | 130,00 | | |
| 319 | JM27000193 | COMPRESSION SPRING | | 1 | | 270,00 | | |
| 320 | JM27000325 | RETAINING RING S-16 | | 1 | | 110,00 | | |
| 321 | JM27000324 | HELICAL GEAR 43 | | 1 | | 2.680,00 | | |
| 322 | JM27000321 | SPINDLE SHAFT 5/8" | | 1 | | 1.210,00 | | |
| 323 | JM27000320 | RETAINING RING R-35 | | 1 | | 130,00 | | |
| 324 | JM27000319 | BALL BEARING 6003RS | | 1 | | 1.410,00 | | |
| 325 | JM27000318 | BEARING BOX | | 1 | | 1.470,00 | | |
| 326 | JM27000317 | FLAT HEAD SCREW M5X16 | | 3 | | | | |
| 327 | JM27000323 | KEY 5X6.5X16 | | 1 | | 130,00 | | |
| 328 | JM27000294 | BRUSH CAP | | 2 | | 110,00 | | |
| 329 | JM23000123 | CARBON BRUSH 2PCS/SET | | 1 | | 500,00 | | |
| 330 | JM00000150 | MOTOR HOUSING ASSY | | 1 | | | | |
| 331 | JM27000361 | RUBBER RING | | 1 | | 130,00 | | |
| 332 | JM27000445 | BALL BEARING 6001RS | | 1 | | 1.150,00 | | |
| 333 | JM27000302 | STATOR ASSY 230V | | 1 | | 19.200,00 | | |
| 334 | JM27000155 | FLAT WASHER 5 | | 2 | | | | |
| 335 | JM27000305 | TAPPING SCREW ST4.8X70 | | 2 | | 130,00 | | |
| 336 | JM27000309 | ARMATURE ASSY 230V | | 1 | | 33.510,00 | | |
| 337 | JM27000446 | BALL BEARING 6201RS | | 1 | | 1.120,00 | | |
| 338 | JM27000313 | BAFFLE RING | | 1 | | | | |
| 339 | JM27000424 | GEAR BOX ASSEMBLY | | 1 | | 5.050,00 | | |
| 340 | JM27000155 | FLAT WASHER 5 | | 4 | | | | |
| 341 | JM27000048 | SPRING WASHER 5 | | 4 | | | | |
| 342 | JM27000316 | PAN HEAD SCREW M5X35 | | 4 | | 130,00 | | |
| 343 | JM27000292 | PAN HEAD SCREW M5X8 | | 2 | | | | |
| 344 | JM27000155 | FLAT WASHER 5 | | 2 | | | | |
| 345 | JM27000293 | AIR INLET COVER PLATE | | 1 | | | | |

Please order the parts with part number.

Print Date 2019/11/26

Model No.MLT100N 260MM TABLE SAW

| Tétel | Cikkszám | Megnevezés | Átalakulás | Menny. | New/Old | Eladás | Vásárlás | Megjegyzés |
|-------|------------|------------------------|------------|--------|---------|--------|----------|------------|
| 346 | JM00000156 | VINYL TUBE | | 1 | | | | |
| 347 | JM27000299 | CORD CLAMP | | 1 | | | | |
| 348 | JM27000009 | FLAT WASHER 4 | | 2 | | 130,00 | | |
| 349 | JM27000004 | TAPPING SCREW ST3.9X12 | | 2 | | 130,00 | | |
| A01 | JM00000045 | PUSHU STICK | | 1 | | | | |
| A02 | JM27000087 | WRENCH 24 | | 2 | | | | |
| A03 | JM27000329 | HEX WRENCH 6 | | 1 | | | | |
| A04 | JM27000328 | TRIANGLE PLATE | | 1 | | | | |

Please order the parts with part number.

Print Date 2019/11/26