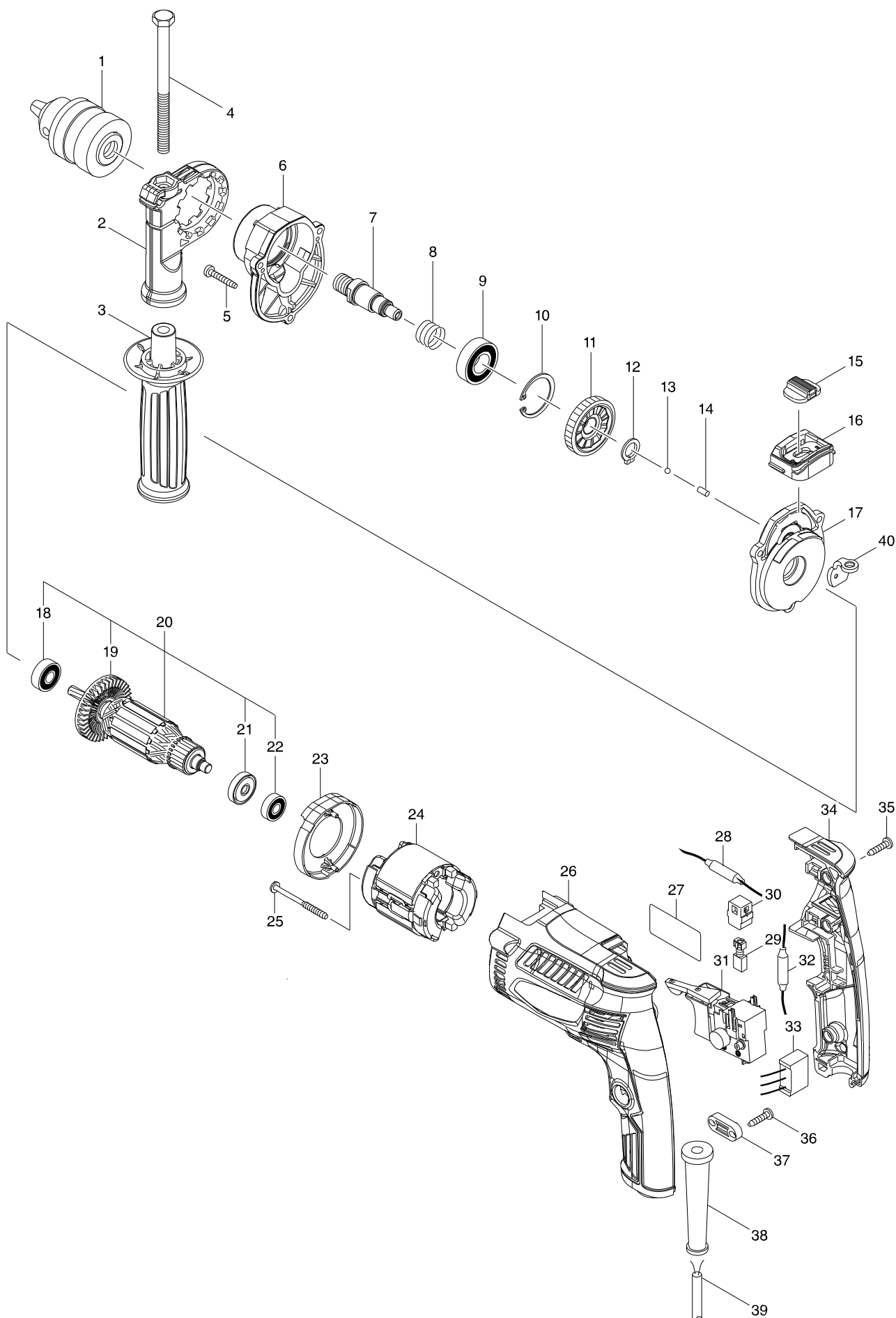


# Modellszám M8103 13MM HAMMER DRILL



Tétel	Cikkszám	Megnevezés	Átalaj	Menny.	N/O	Opc 1	Opc 2	Megjegyzés
001	763161-4	DRILL CHUCK S13		1	*			
001-1	763232-7	DRILL CHUCK S13	O	1				
002	454126-4	GRIP BASE		1				
003	142083-5	GRIP 36 COMPLETE		1				
004	265495-6	HEX. BOLT M8X110		1				
005	266374-1	TAPPING SCREW 4X25		3				
006	454115-9	GEAR HOUSING		1				
007	326226-9	SPINDLE		1				
008	233330-6	COMPRESSION SPRING 16		1				
009	211247-3	BALL BEARING 6002DDW		1	*			
009-1	211484-9	BALL BEARING 6002LLB	O	1				
010	962151-6	RETAINING RING R-32		1				
011	227761-9	HELICAL GEAR 37		1				
012	961052-5	RETAINING RING S-12		1				
013	216001-0	STEEL BALL 3.5		1				
014	256251-5	PIN 4		1				
015	417819-4	CHANGE LEVER		1				
016	454116-7	LEVER CASE		1				
017	141899-5	CAM HOUSING COMPLETE		1				
C10	141745-2	CAM COMPLETE		1				
018	210005-4	BALL BEARING 608DDW		1				
019	240055-5	FAN 48		1				
020	515869-4	ARMATURE ASS'Y 240V		1				
D10		INC. 18,19,21,22						
021	681652-2	INSULATION WASHER		1				
022	210062-2	BALL BEARING 607ZZ		1	*			
022-1	211382-7	BALL BEARING 607ZZ	O	1				
023	456129-4	BAFFLE PLATE		1				
024	593803-4	FIELD ASS'Y 220-240V		1				
C10	654228-8	RECEPTACLE		1				
025	266467-4	TAPPING SCREW 4X50		2				
026	456506-0	MOTOR HOUSING		1				
027	852B10-3	M8103 NAME PLATE		1				
028	646148-0	CHOKE COIL		1				
029	191998-3	CARBON BRUSH CB-85		1				
030	643566-3	BRUSH HOLDER 5X8		2				
031	650555-1	SWITCH FA1-3/2BEZ-3		1				
032	646147-2	CHOKE COIL		1				
033	645196-6	NOISE SUPPRESSOR		1				
034	454121-4	HANDLE COVER		1				
035	266326-2	TAPPING SCREW 4X18		3				
036	266326-2	TAPPING SCREW 4X18		2				
037	687124-5	STRAIN RELIEF		1				
038	682569-2	CORD GUARD 8-85		1				
039	665383-1	POWER SUPPLY CORD 1.0-2-2.0		1	*			
039-1	695556-2	POWER SUPPLY CORD 1.0-2-2.0	O	1				
040	345836-3	CHANGE PLATE		1				
A01	418163-2	KEY HOLDER 10		1				

