



EN

Cordless Mixer

INSTRUCTION MANUAL

5

DUT130 DUT131

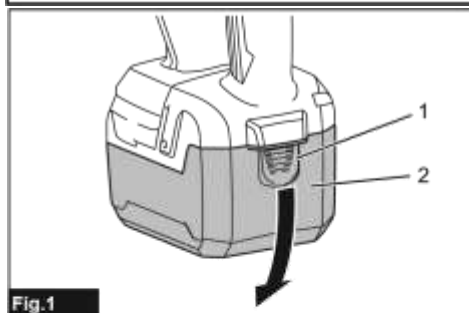
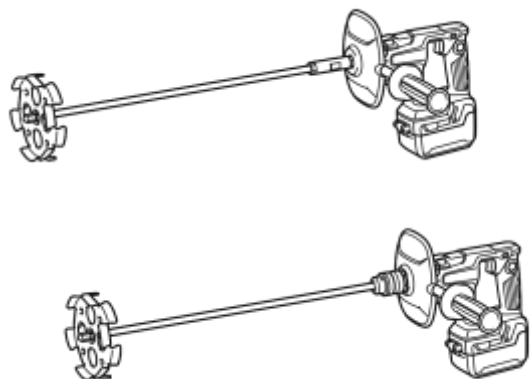


Fig.1

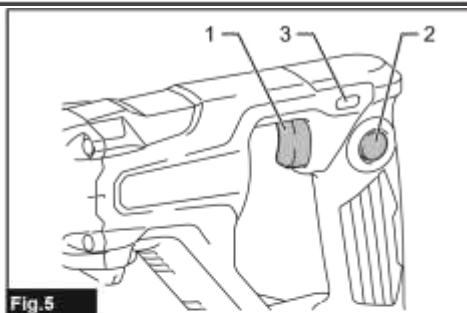


Fig.5

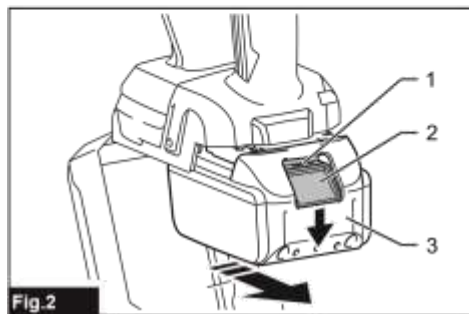


Fig.2

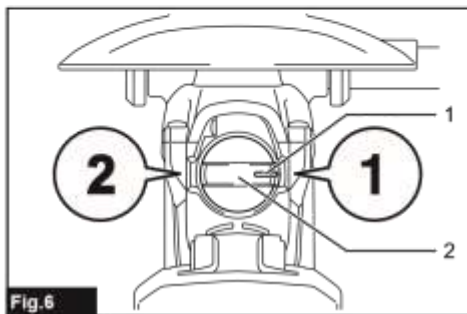
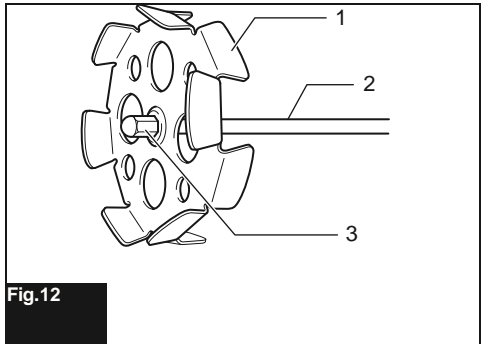
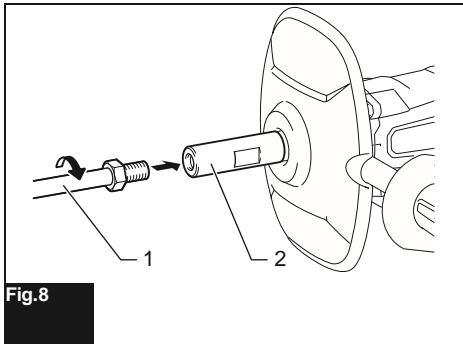
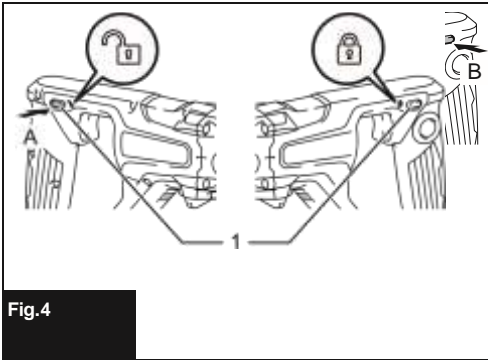
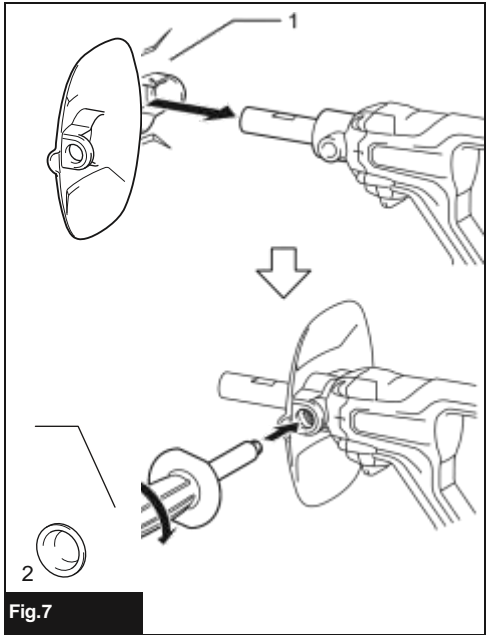
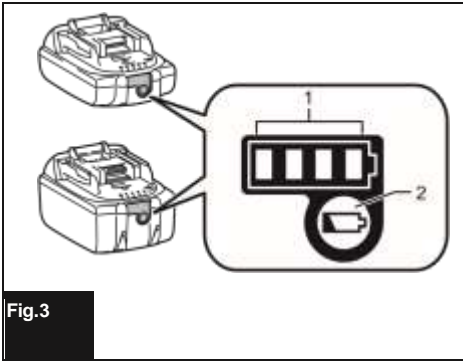


Fig.6



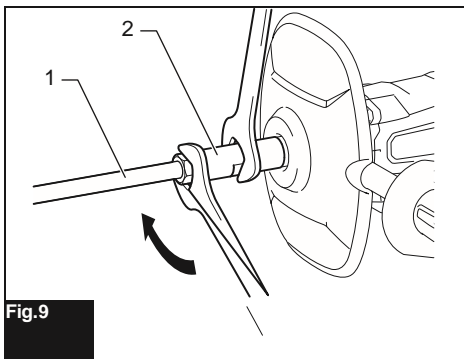


Fig.9

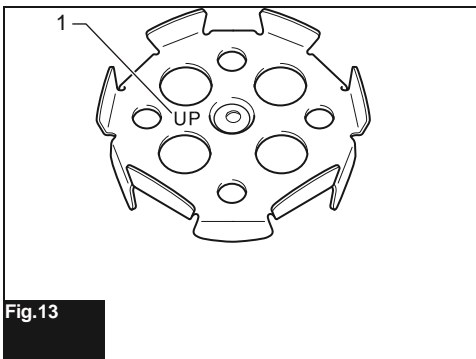


Fig.13

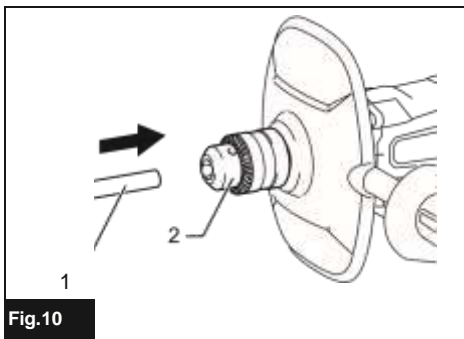


Fig.10

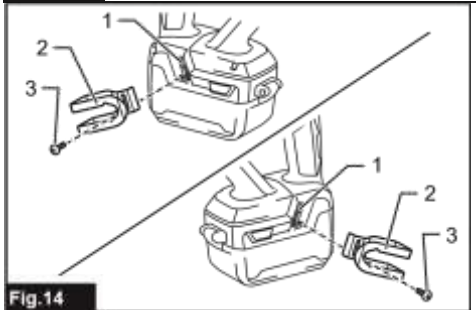


Fig.14

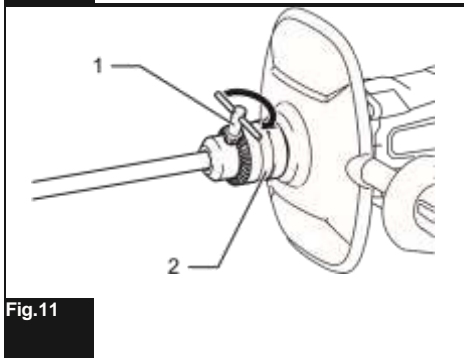


Fig.11

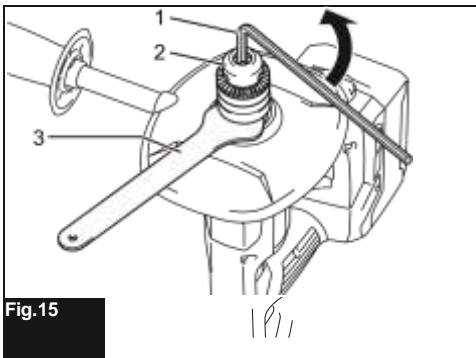
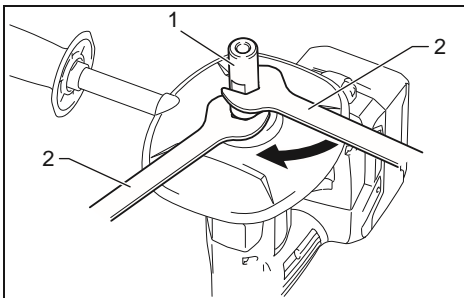


Fig.15



1/1

SPECIFICATIONS

Model:		DUT130	DUT131
No load speed	High speed	0 - 1,300 min ⁻¹	
	Low speed	0 - 350 min ⁻¹	
Maximum mixing blade diameter		165 mm	
Overall length (without shaft and mixing blade)		320 mm	307 mm
Rated voltage		D.C. 18 V	
Net weight		2.5 - 2.8 kg	2.7 - 3.0 kg

- Due to our continuing program of research and development, the specifications herein are subject to change without notice.
- Specifications and battery cartridge may differ from country to country.
- The weight may differ depending on the attachment(s), including the battery cartridge. The lightest and heaviest combination, according to EPTA-Procedure 01/2014, are shown in the table.

Applicable battery cartridge and charger

Battery cartridge	BL1815N / BL1820 / BL1820B / BL1830 / BL1830B / BL1840 / BL1840B / BL1850 / BL1850B / BL1860B
Charger	DC18RC / DC18RD / DC18RE / DC18SD / DC18SE / DC18SF

- Some of the battery cartridges and chargers listed above may not be available depending on your region of residence.

⚠WARNING: Only use the battery cartridges and chargers listed above. Use of any other battery cartridges and chargers may cause injury and/or fire.

Symbols

The following show the symbols used for the equipment. Be sure that you understand their meaning before use.



Read instruction manual.



Do not use the tool in the rain.



Do not clean the tool with water.



Only for Do not dispose of battery not pack together with material!

In observance of the European Directives, on Waste Electric and Electronic Equipment and Batteries and Accumulators and Waste Batteries and Accumulators and their implementation in accordance with national laws, electric equipment and batteries and battery pack(s) that have reached the end of their life must be collected separately and returned to an environmentally compatible recycling facility.

Intended use

The tool is intended for mixing wall materials, etc. (except flammable materials).

Noise

The typical A-weighted noise level determined according to EN60745-2-1:

Model DUT130

Sound pressure level (L_{pA}) : 74 dB(A)

Uncertainty (K) : 3 dB(A)

Model DUT131

Sound pressure level (L_{pA}) : 74 dB(A)

Uncertainty (K) : 3 dB(A)

The noise level under working may exceed 80 dB (A).

NOTE: The declared noise emission value(s) has been measured in accordance with a standard test method and may be used for comparing one tool with another.

NOTE: The declared noise emission value(s) may also be used in a preliminary assessment of

WARNING: Wear ear protection.

WARNING: The noise emission during actual use of the power tool can differ from the declared value(s) depending on the ways in which the tool is used especially what kind of workpiece is processed.

WARNING: Be sure to identify safety measures to protect the operator that are based on an estimation of exposure in the actual conditions of use (taking account of all parts of the operating cycle such as the times when the tool is switched off and when it is running idle in addition to the trigger time).

Vibration

The vibration total value (tri-axial vector sum) determined according to EN60745-2-1:

Model DUT130

Work mode: operation without load

Vibration emission (a_h) : 2.5 m/s² or less

Uncertainty (K) : 1.5 m/s²

Model DUT131

Work mode: operation without load

Vibration emission (a_h) : 2.5 m/s² or less

Uncertainty (K) : 1.5 m/s²

NOTE: The declared vibration total value(s) has been measured in accordance with a standard test method and may be used for comparing one tool with another.

NOTE: The declared vibration total value(s) may also be used in a preliminary assessment of exposure.

WARNING: The vibration emission during actual use of the power tool can differ from the declared value(s) depending on the ways in which the tool is used especially what kind of workpiece is processed.

WARNING: Be sure to identify safety measures to protect the operator that are based on an estimation of exposure in the actual conditions of use (taking account of all parts of the operating cycle such as the times when the tool is switched off and when it is running idle in addition to the trigger time).

EC Declaration of Conformity

For European countries only

The EC declaration of conformity is included as Annex A to this instruction manual.

SAFETY WARNINGS

General power tool safety warnings

⚠️WARNING: Read all safety warnings, instructions, illustrations and specifications provided with this power tool. Failure to follow all instructions listed below may result in electric shock, fire and/or serious injury.

Save all warnings and instructions for future reference.

The term "power tool" in the warnings refers to your mains-operated (corded) power tool or battery-operated (cordless) power tool.

Cordless mixer safety warnings

- Hold the tool with both hands at the intended handles.** Loss of control can cause personal injury.
- Ensure sufficient ventilation when mixing flammable materials to avoid a hazardous atmosphere.** Developing vapour may be inhaled or be ignited by the sparks the power tool produces.
- Do not mix food.** Power tools and their accessories are not designed for processing food.
- Ensure that the mixing container is placed in a firm and secure position.** A container that is not properly secured may move unexpectedly.
- Follow the instructions and warnings for the material to be mixed.** Material to be mixed may be harmful.
- Do not reach into the mixing container with your hands or insert any other objects into it while mixing.** Contact with the mixer blade may lead to serious personal injury.
- Start up and run down the tool in the mixing container only.** The mixer blade may bend or spin in an uncontrolled manner.
- Ensure that no liquid splashes against the housing of the power tool.** Liquid that has penetrated the power tool can cause damage to the tool.
- Use auxiliary handles, if supplied with the tool.** Loss of control may cause personal injury.
- Hold power tool by insulated gripping surfaces, when performing an operation where the cutting accessory may contact hidden wiring.** Cutting accessory contacting a "live" wire may make

exposed metal parts of the power tool "live" and could give the operator an electric shock.

- Always be sure you have a firm footing. Be sure no one is below when using the tool in high locations.**
- Hold the tool firmly.**
- Keep hands away from rotating parts.**
- Do not leave the tool running. Operate the tool only when you are holding it.**
- Some materials contain chemicals which may be toxic. Take caution to prevent dust inhalation and skin contact. Follow safety warnings by supplier of the material.**
- When performing the mixing operation, place the mixing container on a flat and stable surface.**

SAVE THESE INSTRUCTIONS.

⚠️WARNING: DO NOT let comfort or familiarity with product (gained from repeated use) replace strict adherence to safety rules for the subject product. MISUSE or failure to follow the safety rules stated in this instruction manual may cause serious personal injury.

Important safety instructions for battery cartridge

- Before using battery cartridge, read all instructions and cautionary markings on (1) battery charger, (2) battery, and (3) product using battery.**
- Do not disassemble battery cartridge.**
- If operating time has become excessively shorter, stop operating immediately. It may result in a risk of overheating, possible burns and even an explosion.**
- If electrolyte gets into your eyes, rinse them out with clear water and seek medical attention right away. It may result in loss of your eyesight.**
- Do not short the battery cartridge:**
 - Do not touch the terminals with any conductive material.**
 - Avoid storing battery cartridge in a container with other metal objects such as nails, coins, etc.**
 - Do not expose battery cartridge to water or rain.**

A battery short can cause a large current flow, overheating, possible burns and even a breakdown.
- Do not store the tool and battery cartridge in locations where the temperature may reach or exceed 50 °C (122 °F).**
- Do not incinerate the battery cartridge even if it is severely damaged or is completely worn out. The battery cartridge can explode in a fire.**

8. **Be careful not to drop or strike battery.**
9. **Do not use a damaged battery.**
10. **The contained lithium-ion batteries are subject to the Dangerous Goods Legislation requirements.**

For commercial transports e.g. by third parties, forwarding agents, special requirement on packaging and labeling must be observed. For preparation of the item being shipped, consulting an expert for hazardous material is required. Please also observe possibly more detailed national regulations.

Tape or mask off open contacts and pack up the battery in such a manner that it cannot move around in the packaging.

11. **Follow your local regulations relating to disposal of battery.**
12. **Use the batteries only with the products specified by Makita.** Installing the batteries to non-compliant products may result in a fire, excessive heat, explosion, or leak of electrolyte.

SAVE THESE INSTRUCTIONS.

CAUTION: Only use genuine Makita batteries.

Use of non-genuine Makita batteries, or batteries that have been altered, may result in the battery bursting causing fires, personal injury and damage. It will also void the Makita warranty for the Makita tool and charger.

Tips for maintaining maximum battery life

1. **Charge the battery cartridge before completely discharged. Always stop tool operation and charge the battery cartridge when you notice less tool power.**
2. **Never recharge a fully charged battery cartridge. Overcharging shortens the battery service life.**
3. **Charge the battery cartridge with room temperature at 10 °C - 40 °C (50 °F - 104 °F). Let a hot battery cartridge cool down before charging it.**
4. **Charge the battery cartridge if you do not use it for a long period (more than six months).**

FUNCTIONAL DESCRIPTION

CAUTION: Always be sure that the tool is switched off and the battery cartridge is removed before adjusting or checking function on the tool.

Installing or removing battery cartridge

CAUTION: Always switch off the tool before installing or removing of the battery cartridge.

CAUTION: Hold the tool and the battery cartridge firmly when installing or removing battery cartridge. Failure to hold the tool and the battery cartridge firmly may cause them to slip and result in your hands and damage to the tool and battery cartridge and a personal injury.

CAUTION: Do not use this tool with the battery adapter. If you connect the battery adapter to the battery cover, the battery cover will be closed, and using the battery cover will open the battery cover and cause an injury.

Open the battery cover while pressing the button on the cover. **Fig.1:** 1. Button 2. Battery cover

To remove the battery cartridge, slide it from the tool while sliding the button on the front of the cartridge. **Fig.2:** 1. Red indicator 2. Button 3. Battery cartridge

To install the battery cartridge, align the tongue with the housing and insert it into place. Insert it until it clicks. If you can see the red indicator on the upper side of the button, it is not locked completely.

After installing the battery cover, the battery cartridge is secured.

CAUTION: Always install the battery cartridge fully until the red indicator cannot be seen. If not, it may accidentally fall out of the tool, causing injury to you or someone around you.

CAUTION: Do not install the battery cartridge forcibly. If the cartridge does not slide in easily, it is not being inserted correctly.

Indicating the remaining battery capacity

Only for battery cartridges with the indicator

► **Fig.3:** 1. Indicator lamps 2. Check button

Press the check button on the battery cartridge to indicate the remaining battery capacity. The indicator lamps light up for a few seconds.

Indicator lamps			Remaining capacity
Lighted	Off	Blinking	
			75% to 100%
			50% to 75%
			25% to 50%
			0% to 25%
			Charge the battery.
			The may malfunctioned.

NOTE: Depending on the conditions of use and the ambient temperature, the indication may differ slightly from the actual capacity.

Tool / battery protection system

The tool is equipped with a tool/battery protection system. This system automatically cuts off power to the motor to extend tool and battery life. The tool will automatically stop during operation if the tool or battery is placed under one of the following conditions:

Overload protection

When the tool or battery is operated in a manner that causes it to draw an abnormally high current, the tool automatically stops without any indication. In this situation, turn the tool off and stop the application that caused the tool to become overloaded. Then turn the tool on to restart.

Overheat protection

When the tool or battery is overheated, the tool stops automatically. In this case, let the tool and battery cool before turning the tool on again.

Overdischarge protection

When the battery capacity is not enough, the tool stops automatically. In this case, remove the battery from the tool and charge the battery.

Switch action

CAUTION: Before installing the battery cartridge into the tool, always check to see that the switch trigger actuates properly and returns to the "OFF" position when released.

CAUTION: Switch can be locked in "ON" position for ease of operator comfort during extended use. Apply caution when locking tool in "ON" position and maintain firm grasp on tool.

CAUTION: Do not install the battery cartridge with the lock button engaged.

CAUTION: When not operating the tool, depress the trigger-lock button to lock the switch trigger in the OFF position.

► **Fig.4:** 1. Trigger-lock button

► **Fig.5:** 1. Switch trigger 2. Lock button 3. Triggerlock button

To prevent the switch trigger from accidentally pulled, the trigger-lock button is provided. To start the tool, depress

the trigger-lock button from A (A) side and pull the switch trigger. Tool speed is increased by increasing pressure on the switch trigger. Release the switch trigger to stop. After

use, depress the trigger-lock button from B (B) side.

For continuous operation, depress the lock button while pulling the switch trigger, and then release the switch trigger. To stop the tool, pull the switch trigger fully, then release it.

Speed change

NOTICE: Use the speed change knob only after the tool comes to a complete stop. Changing the tool speed before the tool stops may damage the tool.

NOTICE: Always set the speed change knob carefully into the correct position. If you operate the tool with the speed change knob positioned halfway between the position 1 and the position 2, the tool may be damaged.

NOTICE: If the rotation speed significantly decreases during operation in the high speed mode, stop the tool and change the mode to the low speed mode. Otherwise, the motor may get overloaded and cause a malfunction or fire.

Two speed ranges can be preselected with the speed change knob. To change the speed, turn the speed change knob so that the pointer points to the position 1 for low speed or the position 2 for high speed. ▶ **Fig.6:** 1. Pointer 2. Speed change knob

Accidental restart preventive function

If you install the battery cartridge while pulling the switch trigger or locking the switch trigger, the tool does not start. To start the tool, release the switch trigger, and then pull the switch trigger.

Electronic function

The tool is equipped with the electronic functions for easy operation.

- Soft start
The soft-start function minimizes start-up shock, and makes the tool start smoothly.

ASSEMBLY

CAUTION: Always be sure that the tool is switched off and the battery cartridge is removed before carrying out any work on the tool.

Installing the front cover and side grip

CAUTION: Tighten the side grip firmly. Otherwise, the front cover may fall and cause an injury.

- ▶ **Fig.7:** 1. Front cover 2. Side grip

Attach the front cover to the tool and screw the side grip on the tool securely. The side grip can be installed on either side of the tool.

Installing the shaft

Optional accessory

For DUT130

1. Tighten the shaft into the shaft holder.
▶ **Fig.8:** 1. Shaft 2. Shaft holder
2. Tighten the shaft with wrench while holding the shaft holder with another wrench. ▶ **Fig.9:** 1. Shaft 2. Shaft holder

For DUT131

1. Insert the shaft into the chuck as far as it will go. ▶ **Fig.10:** 1. Shaft 2. Chuck
2. Tighten the chuck by place the chuck key in each of three holes and tighten it clockwise. Be sure to tighten the chuck key at evenly. ▶ **Fig.11:** 1. Chuck key

Hook

To remove the shaft, turn the chuck key counterclockwise at one of the holes, and then loosen the chuck by hand.

Installing the mixing blade

Optional accessory

Attach the mixing blade on the top of the shaft, and then secure it with the hex bolt.

- ▶ **Fig.12:** 1. Mixing blade 2. Shaft 3. Hex bolt

NOTICE: Be sure to attach the mixing blade with "UP" mark facing the tool.

- ▶ **Fig.13:** 1. Mark

Optional accessory

CAUTION: Always remove the battery when hanging the tool with the hook.

CAUTION: Never hook the tool at high location or on potentially unstable surface.

► **Fig.14:** 1. Groove 2. Hook 3. Screw

The hook is convenient for temporarily hanging the tool.

This can be installed on either side of the tool. To install the hook, insert it into a groove in the tool housing on either side and then secure it with a screw. To remove, loosen the screw and then take it out.

Installing or removing the shaft holder

Optional accessory

For DUT131

1. Insert the hex wrench into the chuck, and then loosen the chuck with the hex wrench while holding the spindle with the wrench.

► **Fig.15:** 1. Hex wrench 2. Chuck 3. Wrench

2. Tighten the shaft holder with a wrench while holding the spindle with another wrench.

► **Fig.16:** 1. Shaft holder 2. Wrench

To remove the shaft holder, perform the installation procedure in reverse.

OPERATION

CAUTION: Do not mix flammable materials or operate the tool around flammable materials such as paint with thinner used as solvent. Failure to do so may cause an injury.

CAUTION: Do not mix high viscosity material, such as mortar or adhesive, in the high speed mode. You may lose the control of the tool and cause an injury.

NOTICE: When you mix the material while the mixing blade floating out of the material, be careful not to splash the material.

1. Select high speed or low speed according to the material to be mixed.

2. Hold the rear handle of the tool with one hand and the grip with the other hand firmly, place the mixing blade under material fully and turn on the tool after making sure work site safety.

farklılık gösterebilir.

3. Move the mixing blade up and down during the mixing operation so that whole part of material can be mixed.

4. When finishing mixing, turn off the tool, make sure that the mixing blade has come to a complete stop, and then pull it out of the mixing container.

MAINTENANCE

CAUTION: Always be sure that the tool is switched off and the battery cartridge is removed before attempting to perform inspection or maintenance.

NOTICE: Never use gasoline, benzine, thinner, alcohol or the like. Discoloration, deformation or cracks may result.

To maintain product SAFETY and RELIABILITY, repairs, any other maintenance or adjustment should be performed by Makita Authorized or Factory Service Centers, always using Makita replacement parts.

OPTIONAL ACCESSORIES

CAUTION: These accessories or attachments are recommended for use with your Makita tool specified in this manual. The use of any other accessories or attachments might present a risk of injury to persons. Only use accessory or attachment for its stated purpose.

If you need any assistance for more details regarding these accessories, ask your local Makita Service Center.

- Mixing blade
- Shaft
- Shaft holder
- Hook
- Makita genuine battery and charger

NOTE: Some items in the list may be included in the tool package as standard accessories. They may differ from country to country.

Makita Europe N.V. Jan-Baptist Vinkstraat 2,
3070 Kortenberg, Belgium

Makita Corporation 3-11-8, Sumiyoshi-cho,
Anjo, Aichi 446-8502 Japan

www.makita.com

885670A991
EN, FR, DE, IT, NL,
ES, PT, DA, EL, TR
20180911