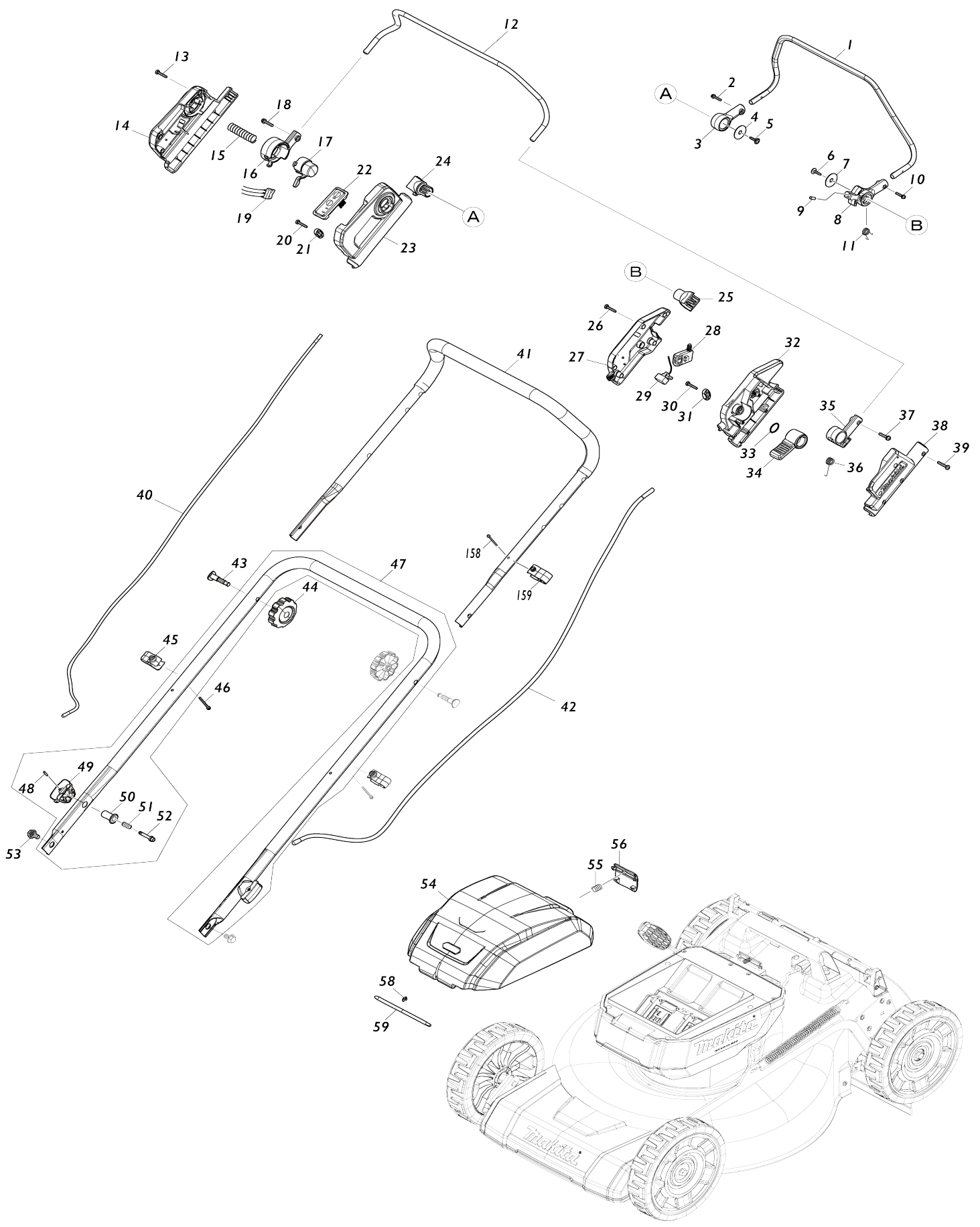
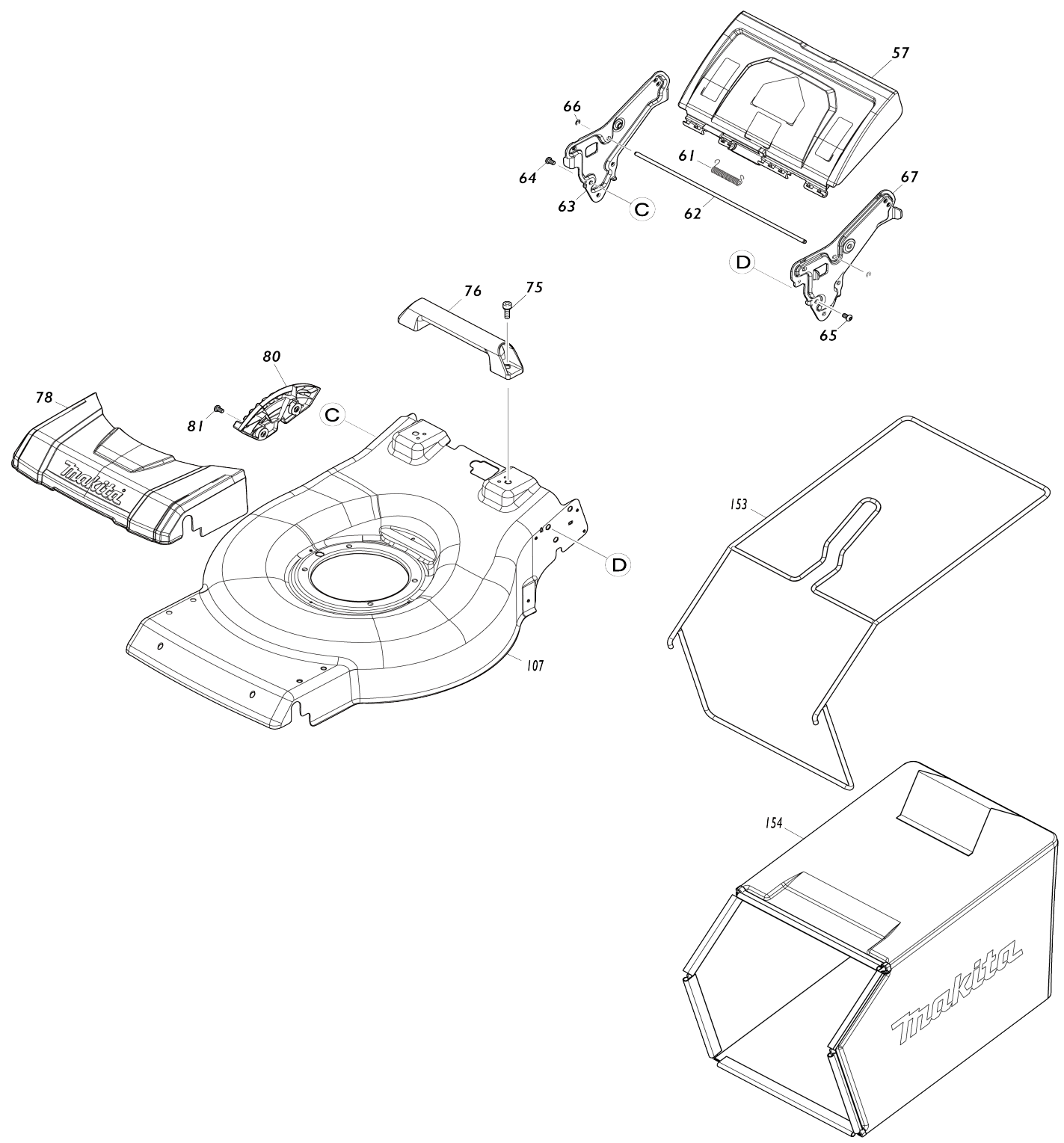


# Model No. LM004J Cordless Lawn Mower

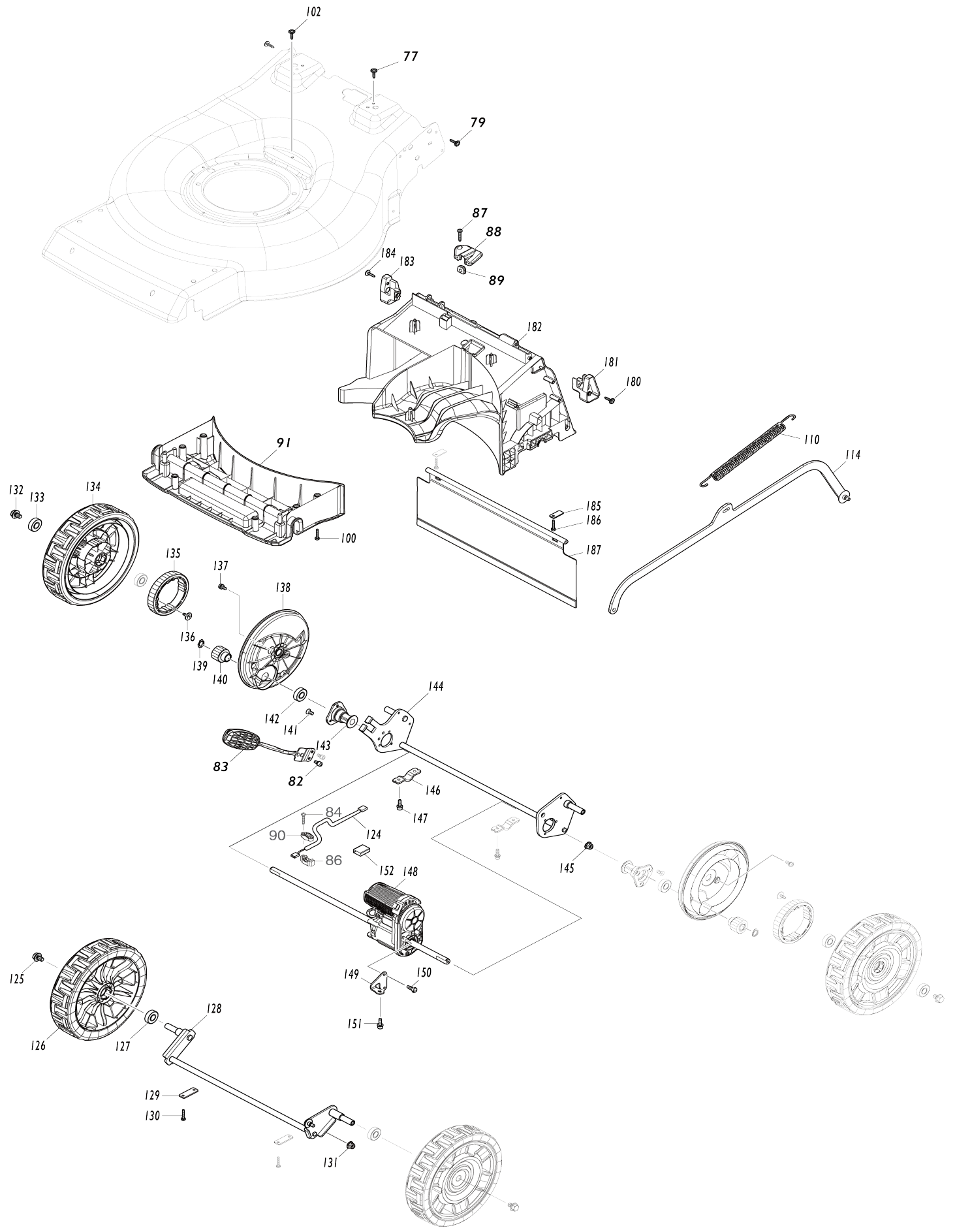




Model No. LM004J Cordless Lawn Mower



# Model No. LM004J Cordless Lawn Mower



# Model No.LM004J Cordless Lawn Mower

Item No.	Parts No.	Description	Interchangeability	Q'ty	New/Old	Note1	Note2
001	327425-6	Driving lever		1			
002	911138-5	Pan head screw M4X20 WR		1			
003	459858-8	Driving lever support R		1			
C10	931102-0	Hex. nut M4		1			
004	253814-8	Flat washer 8		1			
005	265620-9	Flange tapping screw 4X18		1			
006	265620-9	Flange tapping screw 4X18		1			
007	253814-8	Flat washer 8		1			
008	413B10-4	Driving lever support L		1			
C10	931102-0	Hex. nut M4		1			
009	268225-4	Pin 5		1			
010	911138-5	Pan head screw M4X20 WR		1			
011	232566-4	Torsion spring 12		1			
012	327424-8	Switch lever		1			
013	266424-2	Binding head tapping screw 4X20		6			
014	183X93-7	Switch box set		1			
C10	8044A1-9	Indication label		1			
014		INC. 23					
015	231227-3	Compression spring 15		1			
016	459856-2	Switch lever support R		1			
C10	931102-0	Hex. nut M4		1			
017	459857-0	Lock off button		1			
018	911138-5	Pan head screw M4X20 WR		1			
019	632T11-3	Switch unit		1			
020	266424-2	Binding head tapping screw 4X20		2			
021	687123-7	Strain relief		1			
022	141E30-3	Switch circuit complete		1			
C10	8031N1-9	Switch label		1			
023	183X93-7	Switch box set		1			
C10	8044A1-9	Indication label		1			
023		INC. 14					
024	413A98-8	Driving lever holder		1			
025	413A98-8	Driving lever holder		1			
026	266424-2	Binding head tapping screw 4X20		5			
027	183U35-3	Lever box set		1			
027		INC. 38					
028	651083-9	Switch C3XA-1PSPM		1			
029	620J45-8	Dial circuit		1			
030	266424-2	Binding head tapping screw 4X20		2			
031	687123-7	Strain relief		1	*		
031-1	687124-5	Strain relief	O	1			
032	413A95-4	Lever box C		1			
033	213A12-2	O-ring 18		1			
034	413B01-5	Speed lever		1			
035	459863-5	Switch lever support L		1			

C10	931102-0	Hex. nut M4		1		
036	232575-3	Torsion spring 12		1		
037	911138-5	Pan head screw M4X20 WR		1		
038	183U35-3	Lever box set		1		
038		INC. 27				
039	266424-2	Binding head tapping screw 4X20		5		
040	699215-0	Power supply cord unit		1		
041	327871-3	Upper handle		1		
042	699216-8	Power supply cord unit		1	*	
042-1	699267-1	Power supply cord unit	<	1		
043	265C08-1	Flat head bolt M8X50		2		
044	265C06-5	Thumb nut M8		2		
045	413L52-8	Clamp		2		
C10	931102-0	Hex. nut M4		2		
046	911168-6	Pan head screw M4X40 WR		2		
047	122D38-0	Handle lower assembly		1		
047		INC. 48-52				
048	258004-8	Spring pin 2.5-16		2		
049	413943-1	Knob		2		
050	327A66-4	Lock holder		2		
051	234121-8	Compression spring 8		2		
052	327A65-6	Lock pin		2		
053	265C07-3	Hex. socket head shoulder bolt M8		2		
054	136882-5	Battery cover assembly		1		
C10	8046H9-4	Indication label		1		
055	231037-8	Compression spring 7		1		
056	459852-0	Lock lever		1		
057	141M36-9	Rear flap complete		1		
C10	8044A0-1	Caution label		1		
058	961018-5	Stop ring (EXT) E-5		1		
059	327875-5	Rod 6		1		
061	232721-8	Torsion spring 8		1		
062	327A64-8	Rod 6		1		
063	347A56-1	Handle bracket R		1		
064	265B20-5	Hex. socket button head bolt M8 X14		3		
065	265B20-5	Hex. socket button head bolt M8 X14		3		
066	961018-5	Stop ring (EXT) E-5		2		
067	347A55-3	Handle bracket L		1		
073	8582G5-3	Serial No. label LM004J		1		
074	8582F9-8	Name plate LM004J		1		
075	922441-9	Hex. socket head bolt M8X25 W		2		
076	413L42-1	Rear grip		1		
077	265620-9	Flange tapping screw 4X18		2		
078	413L33-2	Front cover		1		
079	265620-9	Flange tapping screw 4X18		7		
080	413L43-9	Height adjust plate		1		
081	265B20-5	Hex. socket button head bolt M8 X14		2		
082	922311-2	Hex. socket head bolt M6X12 W		2		

083	162B98-8	Height adjust lever complete		1			
084	266424-2	Binding head tapping screw 4X2 0		6			
085	687123-7	Strain relief		2			
086	687051-6	Strain relief		3			
087	266424-2	Binding head tapping screw 4X2 0		1			
088	413L50-2	Lead cover		1			
089	422526-6	Grommet		1			
090	687124-5	Strain relief		1			
091	413L35-8	Deck under cover F		1			
092	413L31-6	Inner plate		1			
093	620J95-3	LED circuit		1			
094	620J92-9	Controller		1			
095	141M33-5	Cowling cover complete		1			
096	266424-2	Binding head tapping screw 4X2 0		4			
097	122D39-8	Cowling upper assembly		1	*		
C10	422756-9	Sponge seal		1	*		
097-1	122D39-8	Cowling upper assembly	O	1			
C10	422756-9	Sponge seal		1			
098	413L25-1	Cowling lower		1			
099	911233-1	Pan head screw M5X20 WR		4			
100	266424-2	Binding head tapping screw 4X2 0		6			
101	922441-9	Hex. socket head bolt M8X25 W		4			
102	265620-9	Flange tapping screw 4X18		1			
103	266424-2	Binding head tapping screw 4X2 0		4			
104	266424-2	Binding head tapping screw 4X2 0		4			
105	266424-2	Binding head tapping screw 4X2 0		2			
107	141S44-6	Deck complete		1			
108	422956-1	Sponge		1			
110	232628-8	Tension spring 16		1			
114	347A58-7	Connecting rod		1			
115	122D36-4	Battery housing assembly		1			
115		INC. 116-121					
116	413942-3	Lock lever		1			
117	232716-1	Torsion spring 9		1			
118	413940-7	Spring holder		1			
119	232718-7	Compression spring 11		1			
120	413941-5	Spring support		1			
121	266424-2	Binding head tapping screw 4X2 0		2			
122	265B00-1	Flange tapping screw 4X12		2			
123	632U17-7	Terminal unit		1			
124	699214-2	Power supply cord unit		1			
125	265324-3	Hex. head flange bolt M8X12		2			
126	141M25-4	Tire 230 complete		2			
127	210163-6	Ball bearing 6001DDW		2			
128	162C00-7	Front shaft		1			
129	347869-4	Plate		2			

130	266424-2	Binding head tapping screw 4X20		4		
131	252301-4	Hex. flange lock nut M6-10		1		
132	265324-3	Hex. head flange bolt M8X12		2		
133	210163-6	Ball bearing 6001DDW		4		
134	141M26-2	Tire 230 complete		2		
135	227A02-9	Spur gear 47		2		
136	265B00-1	Flange tapping screw 4X12		4		
137	911213-7	Pan head screw M5X12 WR		4		
138	413L41-3	Wheel cap		2		
139	961052-5	Retaining ring (EXT) S-12		2		
140	227A01-1	Spur gear 15		2		
141	251951-2	Hex. socket countersunk head screw M5X10		6		
142	210163-6	Ball bearing 6001DDW		2		
143	313390-5	Rear shaft holder		2		
144	162C02-3	Rear shaft		1		
145	252301-4	Hex. flange lock nut M6-10		1		
146	347865-2	Clamp 19		2		
147	922223-9	Hex. socket head bolt M5X16 WR		4		
148	122D28-3	Drive unit		1		
149	347A59-5	Bracket		1		
150	266388-0	Binding head tapping screw 5X16		2		
151	922223-9	Hex. socket head bolt M5X16 WR		1		
152	683A20-1	Tube complete		1		
153	162C45-5	Grass catcher bracket		1	*	
153-1	327F04-6	Grass catcher bracket	O	1		
154	162C13-8	Grass catcher		1	*	
154-1	162E56-2	Grass catcher	O	1		
158	911163-6	Pan head screw M4X35 WR		1		
159	413944-9	Clamp		1		
C10	931102-0	Hex. nut M4		1		
160	141M30-1	Stator base complete		1		
161	253455-0	Wave washer 19		1		
162	620J44-0	Controller B		1		
163	265C89-5	Flat head screw M3X10		3	*	
163-1	265F08-9	Flat head screw M3X10	O	3		
164	629B85-5	Stator		1		
165	911158-9	Pan head screw M4X30 WR		6		
166	210059-1	Ball bearing 6000DDW		1		
167	519786-0	Rotor assembly		1		
167		INC. 166,168				
168	211332-2	Ball bearing 6004LLU		1		
169	422955-3	Grommet		2		
171	312D43-7	Bracket		1		
172	911233-1	Pan head screw M5X20 WR		4		
173	413L53-6	Baffle plate		1		
174	911126-2	Pan head screw M4X16 W		4		
175	240205-2	Fan 170		1		
176	312D48-7	Blade support 530		1		
177	266424-2	Binding head tapping screw 4X20		2		

178	191V96-5	Blade 530 set		1			
179	265A69-9	Hex. head bolt M10X35 WG		1	*		
179-1	265D72-8	Hex. head bolt M10X35 WG	<	1			
180	265620-9	Flange tapping screw 4X18		1			
181	183X16-5	Grass guard set		1			
181		INC. 183					
182	413L37-4	Deck under cover R		1			
C10	252329-2	Square nut M5		5			
183	183X16-5	Grass guard set		1			
183		INC. 181					
184	265620-9	Flange tapping screw 4X18		1			
A01	327589-6	Rod 6		1			
A02	413L55-2	Mulching plug 530		1			
A03	413L57-8	Discharge chute		1			
A04	782210-8	Box wrench		1			
A05B	413A28-9	Battery cover		1			
A06B	***DC64WA	DC64WA BATTERY CHARGER		1			
A06B		COMPO-PARTS					
A07B	191Y69-6	Battery BL64100 set		1			
E01	688140-0	Line filter		1			
E03	800A17-7	Sound 94dB label		1			

Please state Parts No. when your order.

Print Date 04/07/2026