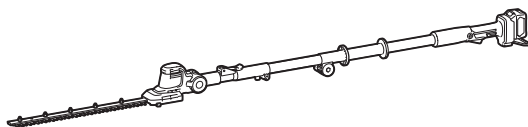
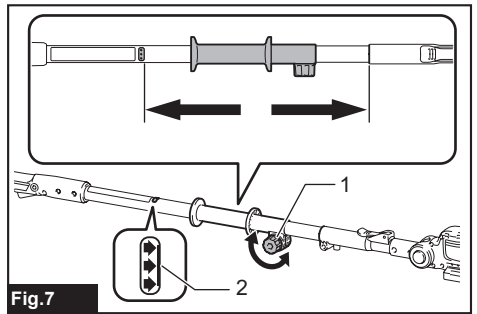
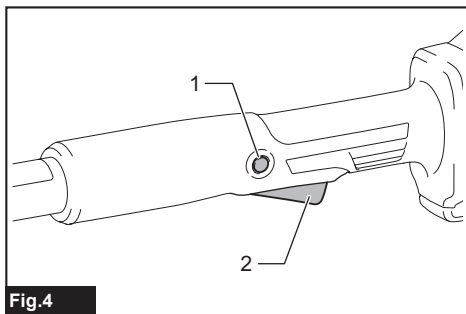
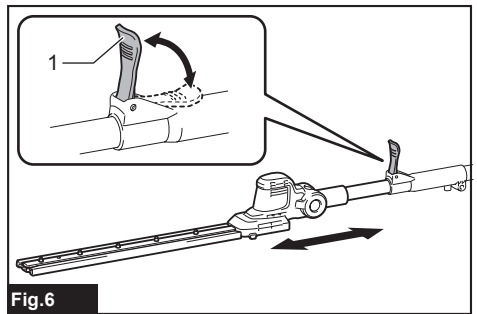
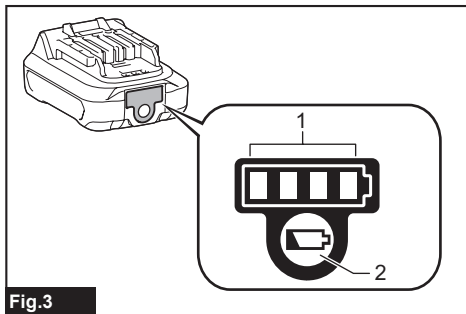
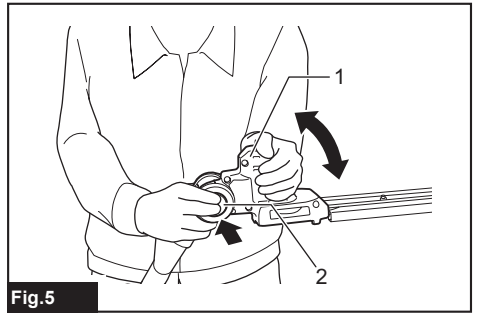
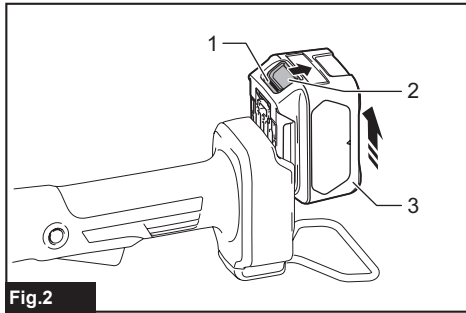
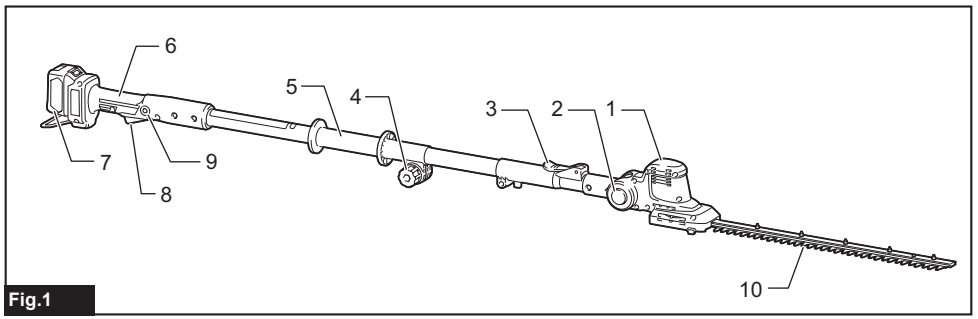


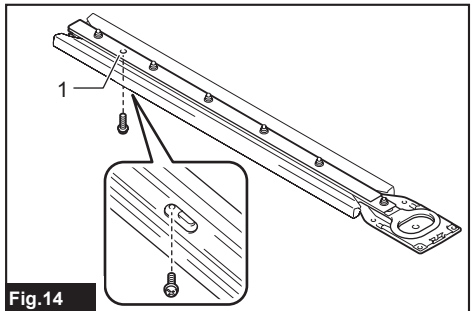
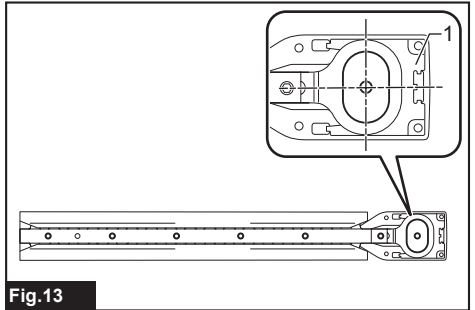
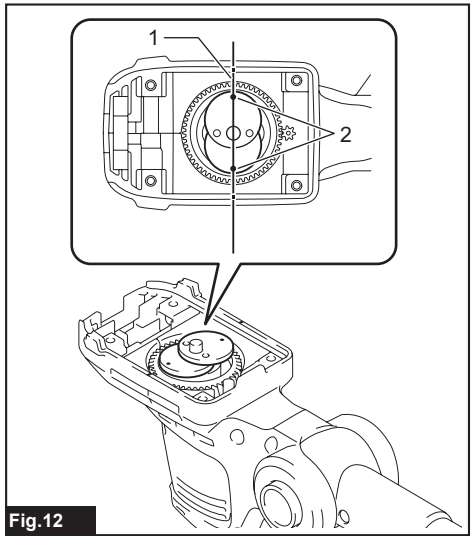
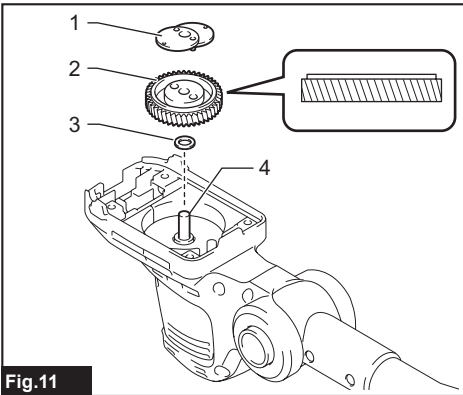
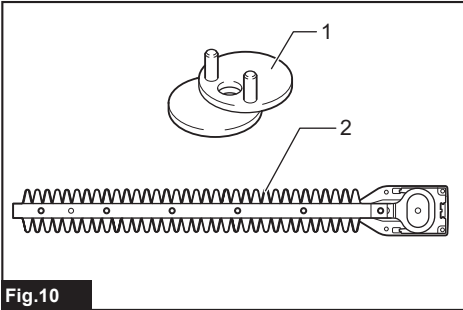
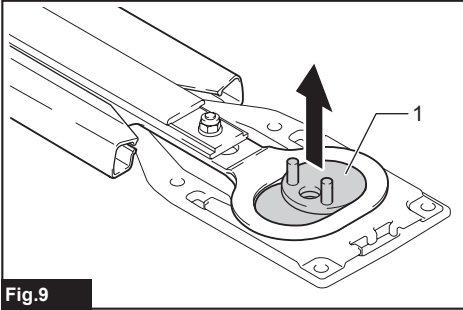
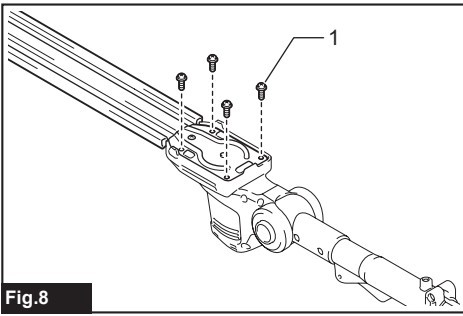


<b>EN</b>	Cordless Pole Hedge Trimmer	<b>INSTRUCTION MANUAL</b>	<b>6</b>
<b>FR</b>	Taille Haie Sur Perche Sans-Fil	<b>MANUEL D'INSTRUCTIONS</b>	<b>15</b>
<b>DE</b>	Akku-Heckenschneider	<b>BETRIEBSANLEITUNG</b>	<b>25</b>
<b>IT</b>	Tagliasiepi telescopico a batteria	<b>ISTRUZIONI PER L'USO</b>	<b>36</b>
<b>NL</b>	Accustokheggenschaar	<b>GEBRUIKSAANWIJZING</b>	<b>46</b>
<b>ES</b>	Cortasetos de Extensión Inalámbrico	<b>MANUAL DE INSTRUCCIONES</b>	<b>56</b>
<b>PT</b>	Aparador de Cerca Viva a Bateria	<b>MANUAL DE INSTRUÇÕES</b>	<b>66</b>
<b>DA</b>	Akku stanghækketrimmer	<b>BRUGSANVISNING</b>	<b>76</b>
<b>EL</b>	Φορητό κονταροψάλιδο μπορντούρας	<b>ΕΓΧΕΙΡΙΔΙΟ ΟΔΗΓΙΩΝ</b>	<b>85</b>
<b>TR</b>	Akülü Yüksek Çit Budama	<b>KULLANMA KILAVUZU</b>	<b>95</b>

## UN460WD







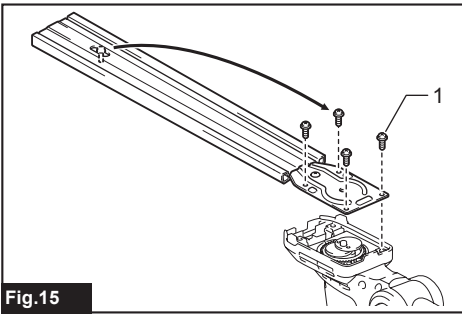


Fig. 15

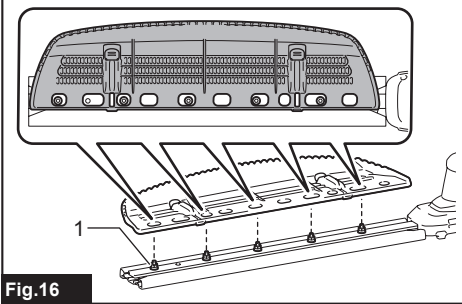


Fig. 16

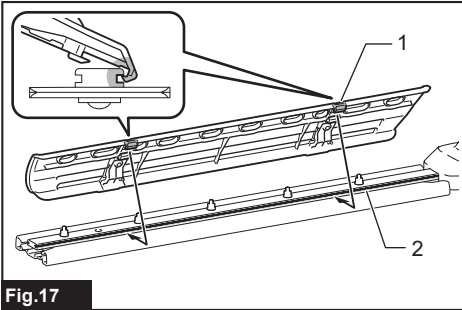


Fig. 17

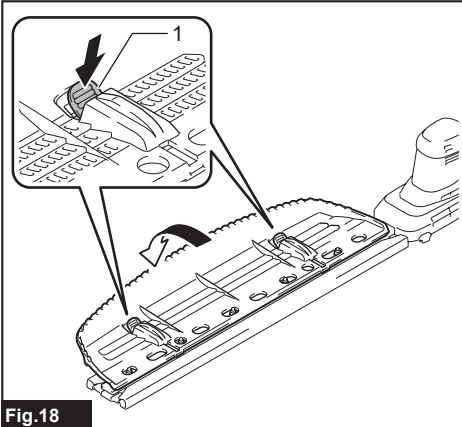


Fig. 18

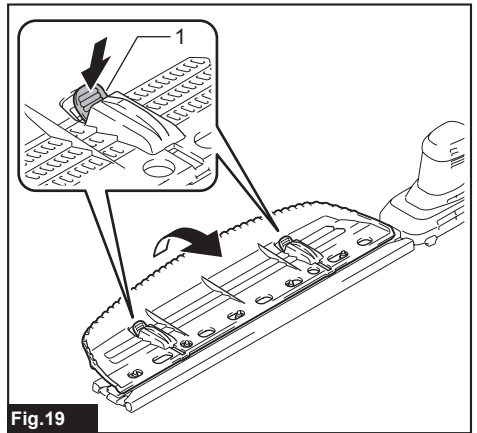


Fig. 19

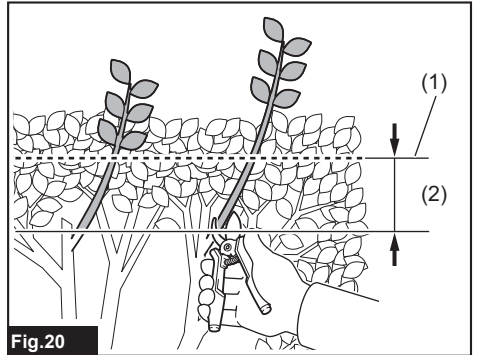


Fig. 20

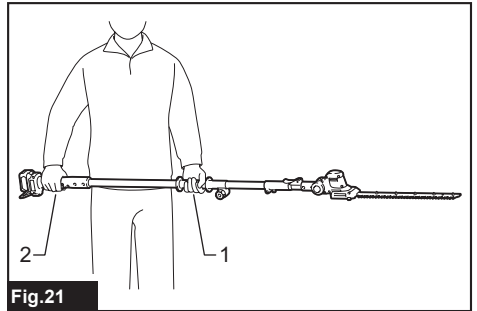


Fig. 21

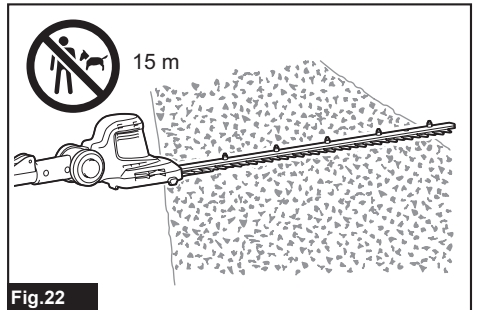
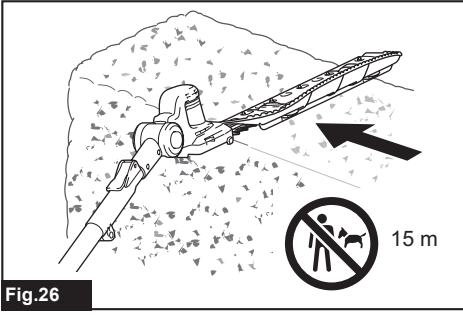
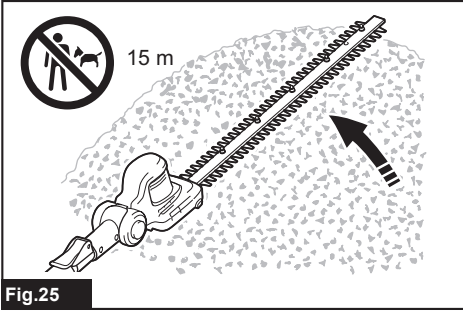
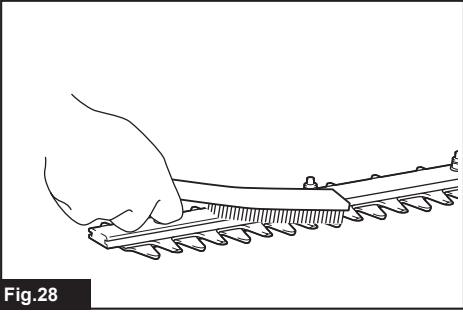
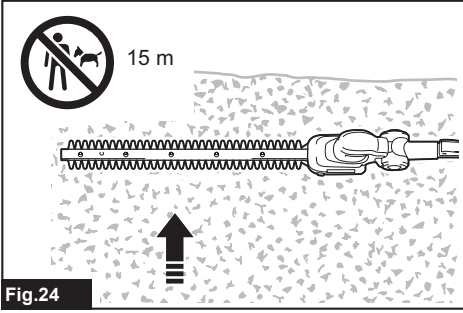
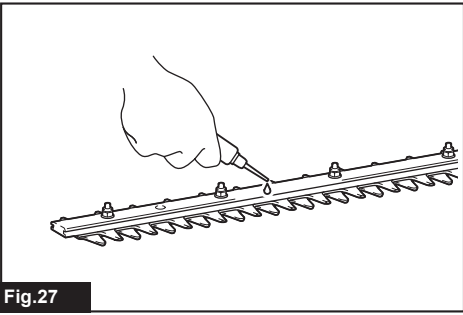
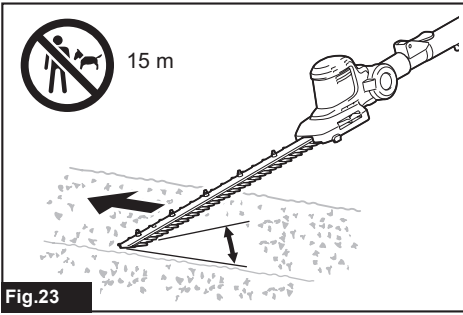


Fig. 22



# SPECIFICATIONS

Model:	UN460WD
Blade length	460 mm
Strokes per minute	3,600 min <sup>-1</sup>
Cutting blade angle	135° (up 60°, down 75°)
Overall length	1,889 - 2,511 mm
Rated voltage	D.C. 10.8 V - 12 V max
Net weight	2.8 - 3.0 kg

- Due to our continuing program of research and development, the specifications herein are subject to change without notice.
- Specifications may differ from country to country.
- The weight may differ depending on the attachment(s), including the battery cartridge. The lightest and heaviest combination, according to EPTA-Procedure 01/2014, are shown in the table.

## Applicable battery cartridge and charger







Battery cartridge	BL1016 / BL1021B / BL1041B
Charger	DC10SA / DC10SB / DC10WC / DC10WD / DC18RE

- Some of the battery cartridges and chargers listed above may not be available depending on your region of residence.

**⚠ WARNING: Only use the battery cartridges and chargers listed above.** Use of any other battery cartridges and chargers may cause injury and/or fire.

## Symbols

The followings show the symbols which may be used for the equipment. Be sure that you understand their meaning before use.

	Read instruction manual.
	Do not expose to moisture.
	Wear a helmet, goggles and ear protection.
	DANGER - Keep hands away from blade.
	Beware of electrical lines, risk of electrical shock.
	Keep distance at least 15 m.



Only for EU countries  
 Due to the presence of hazardous components in the equipment, waste electrical and electronic equipment, accumulators and batteries may have a negative impact on the environment and human health. Do not dispose of electrical and electronic appliances or batteries with household waste!

In accordance with the European Directive on waste electrical and electronic equipment and on accumulators and batteries and waste accumulators and batteries, as well as their adaptation to national law, waste electrical equipment, batteries and accumulators should be stored separately and delivered to a separate collection point for municipal waste, operating in accordance with the regulations on environmental protection.

This is indicated by the symbol of the crossed-out wheeled bin placed on the equipment.



Guaranteed sound power level according to EU Outdoor Noise Directive.



Sound power level according to Australia NSW Noise Control Regulation

## Intended use

The tool is intended for trimming hedges.

## Noise

The typical A-weighted noise level determined according to EN62841-4-2:

Sound pressure level ( $L_{pA}$ ) : 74 dB(A)

Uncertainty (K) : 3 dB(A)

The noise level under working may exceed 80 dB (A).

**NOTE:** The declared noise emission value(s) has been measured in accordance with a standard test method and may be used for comparing one tool with another.

**NOTE:** The declared noise emission value(s) may also be used in a preliminary assessment of exposure.

**⚠WARNING:** Wear ear protection.

**⚠WARNING:** The noise emission during actual use of the power tool can differ from the declared value(s) depending on the ways in which the tool is used especially what kind of workpiece is processed.

**⚠WARNING:** Be sure to identify safety measures to protect the operator that are based on an estimation of exposure in the actual conditions of use (taking account of all parts of the operating cycle such as the times when the tool is switched off and when it is running idle in addition to the trigger time).

## Vibration

Applicable standard : EN62841-4-2

Left hand (Front grip)		Right hand (Rear grip)	
$a_h$ (m/s <sup>2</sup> )	Uncertainty K (m/s <sup>2</sup> )	$a_h$ (m/s <sup>2</sup> )	Uncertainty K (m/s <sup>2</sup> )
2.5 m/s <sup>2</sup> or less	1.5	2.5 m/s <sup>2</sup> or less	1.5

**NOTE:** The declared vibration total value(s) has been measured in accordance with a standard test method and may be used for comparing one tool with another.

**NOTE:** The declared vibration total value(s) may also be used in a preliminary assessment of exposure.

**⚠WARNING:** The vibration emission during actual use of the power tool can differ from the declared value(s) depending on the ways in which the tool is used especially what kind of workpiece is processed.

**⚠WARNING:** Be sure to identify safety measures to protect the operator that are based on an estimation of exposure in the actual conditions of use (taking account of all parts of the operating cycle such as the times when the tool is switched off and when it is running idle in addition to the trigger time).

## EC Declaration of Conformity

*For European countries only*

The EC declaration of conformity is included as Annex A to this instruction manual.

## SAFETY WARNINGS

### General power tool safety warnings

**⚠WARNING:** Read all safety warnings, instructions, illustrations and specifications provided with this power tool. Failure to follow all instructions listed below may result in electric shock, fire and/or serious injury.

### Save all warnings and instructions for future reference.

The term "power tool" in the warnings refers to your mains-operated (corded) power tool or battery-operated (cordless) power tool.

## Cordless Pole Hedge Trimmer Safety Warnings

- Keep all parts of the body away from the blade. Do not remove cut material or hold material to be cut when blades are moving.** Blades continue to move after the switch is turned off. A moment of inattention while operating the hedge trimmer may result in serious personal injury.
- Carry the hedge trimmer by the handle with the blade stopped and taking care not to operate any power switch.** Proper carrying of the hedge trimmer will decrease the risk of inadvertent starting and resultant personal injury from the blades.
- When transporting or storing the hedge trimmer, always fit the blade cover.** Proper handling of the hedge trimmer will decrease the risk of personal injury from the blades.
- When clearing jammed material or servicing the unit, make sure all power switches are off and the battery pack is removed or disconnected.** Unexpected actuation of the hedge trimmer while clearing jammed material or servicing may result in serious personal injury.
- Hold the hedge trimmer by insulated gripping surfaces only, because the blade may contact hidden wiring.** Blades contacting a "live" wire may make exposed metal parts of the hedge trimmer "live" and could give the operator an electric shock.

6. **Keep all power cords and cables away from cutting area.** Power cords or cables may be hidden in hedges or bushes and can be accidentally cut by the blade.
7. **Do not use the hedge trimmer in bad weather conditions, especially when there is a risk of lightning.** This decreases the risk of being struck by lightning.
8. **To reduce the risk of electrocution, never use the pole hedge trimmer near any electrical power lines.** Contact with or use near power lines may cause serious injury or electric shock resulting in death.
9. **Always use two hands when operating the pole hedge trimmer.** Hold the pole hedge trimmer with both hands to avoid loss of control.
10. **Always use head protection when operating the pole hedge trimmer overhead.** Falling debris can result in serious personal injury.
2. **Wear ear protection such as ear muffs to prevent hearing loss.**
3. **Wear protective goggles, safety helmet and protective gloves to protect yourself from flying debris or falling objects.**
4. **When touching blades or adjusting the blade angle, wear protective gloves.** Blades can cut bare hands severely.

#### Operation

1. **Always use two hands to operate the tool.**  
Using one hand could cause loss of control and result in serious personal injury.
2. **While operating the tool, always ensure that the operating position is safe and secure. Overreaching with the tool, particularly from a ladder, is extremely dangerous. Do not work from anything wobbly or infirm.**
3. **Do not simultaneously wear multiple belt harnesses and/or shoulder harnesses when operating the tool.**
4. **During operation, keep bystanders or animals at least 15 m away from the tool. Stop the tool as soon as someone approaches.**
5. **If cutting tool strikes any object or the tool starts making unusual noise or vibration, switch off the tool and remove the battery cartridge immediately and allow the tool to stop. And then take the following steps:**
  - inspect for damage
  - check for, and tighten, any loose parts
  - have any damaged parts replaced or repaired with genuine spare parts.
6. **Only use the tool for its intended purpose. Do not use the tool for any other purpose.**
7. **Switch off the tool and remove the battery cartridge before:**
  - cleaning or when clearing a blockage,
  - checking, carrying out maintenance or working on the tool,
  - adjusting the working position of the shear blades,
  - leaving the tool unattended.
8. **Ensure that the tool is correctly located in a designated working position before starting the tool.**
9. **Do not operate the tool with a damaged or excessively worn shear blades.**
10. **Always be aware of your surroundings and stay alert for possible hazards of which you may not be aware due to the noise of the tool.**
11. **Be careful not to accidentally contact a metal fence or other hard objects during operation. The blade will break and may cause serious injury.**
12. **Avoid unintentional starting. Do not carry the tool when the battery cartridge is installed and with finger on the switch. Make sure that the switch is off when installing the battery cartridge.**
13. **Do not grasp the exposed cutting blades or cutting edges when picking up or holding the tool.**
14. **Do not force the tool.** It will do the job better and with less likelihood of a risk of injury at the rate for which it was designed.

## Additional Safety Instructions

### Preparation

1. **THIS HEDGE TRIMMER CAN CAUSE SERIOUS INJURIES.** Read the instructions carefully for the correct handling, preparation, maintenance, starting and stopping of the tool. Become familiar with all controls and the proper use of the tool.
2. **Check the hedges and bushes for foreign objects, such as wire fences or hidden wiring before operating the tool.**
3. **The tool must not be used by children or young persons under 18 years of age.** Young persons over 16 years of age may be exempted from this restriction if they are undergoing training under the supervision of an expert.
4. **In the event of an emergency, switch off the tool and remove the battery cartridge immediately.**
5. **DANGER - Keep hands away from blade.** Contact with blade will result in serious personal injury.
6. **First-time users should have an experienced user show them how to use the tool.**
7. **Before operation, examine the work area for wire fences, stones, or other solid objects. They can damage the blades.**
8. **Use the tool only if you are in good physical condition.** If you are tired, your attention will be reduced. Be especially careful at the end of a working day. Perform all work calmly and carefully. The user is responsible for all damages to third parties.
9. **Before starting work, check to make sure that the tool is in good and safe working order. Ensure guards are fitted properly. The tool must not be used unless fully assembled.**
10. **Avoid dangerous environment. Don't use the tool in damp or wet locations or expose it to rain. Water entering the tool will increase the risk of electric shock.**

### Personal protective equipment

1. **Work gloves of stout leather are part of the basic equipment of the tool and must always be worn when working with it. Also wear sturdy shoes with anti-skid soles.**



15. **Do not use the tool in the rain or in wet or very damp conditions.** The electric motor is not waterproof.
16. **Hold the tool firmly when using the tool.**
17. **Do not operate the tool at no-load unnecessarily.**
18. **Before checking the shear blades, taking care of faults, or removing foreign objects caught in the shear blades, always switch off the tool and remove the battery cartridge.**
19. **Never point the shear blades to yourself or others.**
20. **If the blades stop moving due to the stuck of foreign objects between the blades during operation, switch off the tool and remove the battery cartridge, and then remove the foreign objects using tools such as pliers.** Removing the foreign objects by hand may cause an injury for the reason that the blades may move in reaction to removing the foreign objects.
7. **When moving the tool to another location, including during work, always remove the battery cartridge and put the blade cover on the shear blades. Never carry or transport the tool with the blades running. Never grasp the blades with your hands.**
8. **Clean the tool and especially the shear blades after use, and before putting the tool into storage for extended periods. Lightly oil the shear blades and put on the blade cover.**
9. **Do not dispose of the battery(ies) in a fire. The cell may explode. Check with local codes for possible special disposal instructions.**
10. **Do not open or mutilate the battery(ies). Released electrolyte is corrosive and may cause damage to the eyes or skin. It may be toxic if swallowed.**
11. **Do not charge battery in rain, or in wet locations.**

#### Electrical and battery safety

1. **Avoid dangerous environment. Don't use the tool in dump or wet locations or expose it to rain.** Water entering the tool will increase the risk of electric shock.
2. **Do not dispose of the battery(ies) in a fire.** The cell may explode. Check with local codes for possible special disposal instructions.
3. **Do not open or mutilate the battery(ies).** Released electrolyte is corrosive and may cause damage to the eyes or skin. It may be toxic if swallowed.
4. **Do not charge battery in rain, or in wet locations.**
5. **Do not charge the battery outdoors.**
6. **Do not handle charger, including charger plug, and charger terminals with wet hands.**

#### Maintenance and storage

1. **When the tool is stopped for servicing, inspection or storage, switch off the tool and remove the battery cartridge, and make sure all moving parts have come to a stop. Allow the tool to cool before making any inspections, adjustment, etc.**
2. **Always allow the tool to cool down before storing.**
3. **When not in use, attach the blade cover to the tool and store the tool indoors in dry, and high locked-up place, out of reach of children.**
4. **Maintain the tool with care. Keep cutting edge sharp and clean for best performance and to reduce the risk of injury. Follow instructions for lubricating and changing accessories. Keep grips dry, clean, and free from oil and grease.**
5. **Check damaged parts. Before further use of the tool, any part which is damaged should be carefully checked to determine that it will operate properly and perform its intended function. Check for alignment of moving parts, binding of moving parts, breakage of parts, mounting and any other condition that may affect its operation. A guard or other part that is damaged should be properly repaired or replaced by your authorized service center.**
6. **Use genuine spare parts only.**

## SAVE THESE INSTRUCTIONS.

**⚠WARNING:** DO NOT let comfort or familiarity with product (gained from repeated use) replace strict adherence to safety rules for the subject product. MISUSE or failure to follow the safety rules stated in this instruction manual may cause serious personal injury.

### Important safety instructions for battery cartridge

1. **Before using battery cartridge, read all instructions and cautionary markings on (1) battery charger, (2) battery, and (3) product using battery.**
2. **Do not disassemble or tamper with the battery cartridge.** It may result in a fire, excessive heat, or explosion.
3. **If operating time has become excessively shorter, stop operating immediately. It may result in a risk of overheating, possible burns and even an explosion.**
4. **If electrolyte gets into your eyes, rinse them out with clear water and seek medical attention right away. It may result in loss of your eyesight.**
5. **Do not short the battery cartridge:**
  - (1) **Do not touch the terminals with any conductive material.**
  - (2) **Avoid storing battery cartridge in a container with other metal objects such as nails, coins, etc.**
  - (3) **Do not expose battery cartridge to water or rain.**

A battery short can cause a large current flow, overheating, possible burns and even a breakdown.
6. **Do not store and use the tool and battery cartridge in locations where the temperature may reach or exceed 50 °C (122 °F).**
7. **Do not incinerate the battery cartridge even if it is severely damaged or is completely worn out. The battery cartridge can explode in a fire.**

8. **Do not nail, cut, crush, throw, drop the battery cartridge, or hit against a hard object to the battery cartridge.** Such conduct may result in a fire, excessive heat, or explosion.
9. **Do not use a damaged battery.**
10. **The contained lithium-ion batteries are subject to the Dangerous Goods Legislation requirements.**  
For commercial transports e.g. by third parties, forwarding agents, special requirement on packaging and labeling must be observed.  
For preparation of the item being shipped, consulting an expert for hazardous material is required.  
Please also observe possibly more detailed national regulations.  
Tape or mask off open contacts and pack up the battery in such a manner that it cannot move around in the packaging.
11. **When disposing the battery cartridge, remove it from the tool and dispose of it in a safe place. Follow your local regulations relating to disposal of battery.**
12. **Use the batteries only with the products specified by Makita.** Installing the batteries to non-compliant products may result in a fire, excessive heat, explosion, or leak of electrolyte.
13. **If the tool is not used for a long period of time, the battery must be removed from the tool.**
14. **During and after use, the battery cartridge may take on heat which can cause burns or low temperature burns. Pay attention to the handling of hot battery cartridges.**
15. **Do not touch the terminal of the tool immediately after use as it may get hot enough to cause burns.**
16. **Do not allow chips, dust, or soil stuck into the terminals, holes, and grooves of the battery cartridge.** It may result in poor performance or breakdown of the tool or battery cartridge.
17. **Unless the tool supports the use near high-voltage electrical power lines, do not use the battery cartridge near high-voltage electrical power lines.** It may result in a malfunction or breakdown of the tool or battery cartridge.
18. **Keep the battery away from children.**

## SAVE THESE INSTRUCTIONS.

**CAUTION:** Only use genuine Makita batteries. Use of non-genuine Makita batteries, or batteries that have been altered, may result in the battery bursting causing fires, personal injury and damage. It will also void the Makita warranty for the Makita tool and charger.

## Tips for maintaining maximum battery life

1. **Charge the battery cartridge before completely discharged. Always stop tool operation and charge the battery cartridge when you notice less tool power.**
2. **Never recharge a fully charged battery cartridge. Overcharging shortens the battery service life.**
3. **Charge the battery cartridge with room temperature at 10 °C - 40 °C (50 °F - 104 °F). Let a hot battery cartridge cool down before charging it.**
4. **When not using the battery cartridge, remove it from the tool or the charger.**

## PARTS DESCRIPTION

► Fig.1

1	Head	2	Angle adjustment button	3	Lock-lever	4	Thumb nut
5	Front grip	6	Rear grip	7	Battery cartridge	8	Switch trigger
9	Lock-off button	10	Shear blades	-	-	-	-

## FUNCTIONAL DESCRIPTION

**CAUTION:** Always be sure that the tool is switched off and the battery cartridge is removed before adjusting or checking function on the tool.

### Installing or removing battery cartridge

**CAUTION:** Always switch off the tool before installing or removing of the battery cartridge.

**CAUTION:** Hold the tool and the battery cartridge firmly when installing or removing battery cartridge. Failure to hold the tool and the battery cartridge firmly may cause them to slip off your hands and result in damage to the tool and battery cartridge and a personal injury.

► **Fig.2:** 1. Red indicator 2. Button 3. Battery cartridge

To remove the battery cartridge, slide it from the tool while sliding the button on the front of the cartridge.

To install the battery cartridge, align the tongue on the battery cartridge with the groove in the housing and slip it into place. Insert it all the way until it locks in place with a little click. If you can see the red indicator as shown in the figure, it is not locked completely.

**CAUTION:** Always install the battery cartridge fully until the red indicator cannot be seen. If not, it may accidentally fall out of the tool, causing injury to you or someone around you.

**CAUTION:** Do not install the battery cartridge forcibly. If the cartridge does not slide in easily, it is not being inserted correctly.

### Indicating the remaining battery capacity

Only for battery cartridges with the indicator

► **Fig.3:** 1. Indicator lamps 2. Check button

Press the check button on the battery cartridge to indicate the remaining battery capacity. The indicator lamps light up for a few seconds.

Indicator lamps		Remaining capacity
Lighted	Off	
■ ■ ■ ■	□	75% to 100%
■ ■ ■ □	□	50% to 75%
■ ■ □ □	□ □	25% to 50%
■ □ □ □	□ □ □ □	0% to 25%

**NOTE:** Depending on the conditions of use and the ambient temperature, the indication may differ slightly from the actual capacity.

## Tool / battery protection system

The machine is equipped with a battery protection system. This system automatically cuts off power to the motor to extend battery life.

The machine will automatically stop during operation if the machine and/or battery are placed under one of the following conditions:

#### Overloaded:

The tool is operated in a manner that causes it to draw an abnormally high current. In this situation, turn the tool off and stop the application that caused the tool to become overloaded. Then turn the tool on to restart. If the tool does not start, the battery is overheated. In this situation, let the battery cool before turning the tool on again.

#### Low battery voltage:

The remaining battery capacity is too low and the tool will not operate. If you turn the tool on, the motor runs again but stops soon. In this situation, remove and recharge the battery.

## Switch action

**WARNING:** Before installing the battery cartridge into the tool, always check to see that the switch trigger actuates properly and returns to the "OFF" position when released.

**WARNING:** For your safety, this tool is equipped with the lock-off button which prevents the tool from unintended starting. Never use the tool if it starts when you pull the switch trigger without pressing the lock-off button. Ask your local Makita Service Center for repairs.

**WARNING:** Never disable the lock function or tape down the lock-off button.

**NOTICE:** Do not pull the switch trigger forcibly without pressing the lock-off button. The switch may break.

► **Fig.4:** 1. Lock-off button 2. Switch trigger

To prevent the switch trigger from being accidentally pulled, a lock-off button is provided.

To start the tool, press the lock-off button and pull the switch trigger. Release the switch trigger to stop. The lock-off button can be pressed from either the right or left side.

## Adjusting the cutting angle

**CAUTION:** Always be sure that the tool is switched off before folding or unfolding the head.

**CAUTION:** When folding the head for carrying the tool or after using the tool, be sure to attach the blade cover before folding the head.

**CAUTION:** When folding the head, be careful not to pinch your fingers between the head and the tool body.

The angle of the head can be adjusted in 10 steps. To change the angle of the head, follow the steps below.

1. Hold the head and the tool body as shown in the figure.

► Fig.5: 1. Head 2. Angle adjustment button

2. Adjust the angle of the head while holding down the angle adjustment button, and then release the angle adjustment button.

3. Move the head slightly until it is locked with a click.

**NOTE:** Make sure that the head is securely locked before operating the tool.

## Adjusting the pipe length

**CAUTION:** Always be sure that the tool is switched off before adjusting the pipe length.

**CAUTION:** When adjusting the pipe length, be sure to attach the blade cover before adjusting the pipe length.

**CAUTION:** When adjusting the pipe length, be careful not to pinch your fingers.

**CAUTION:** Make sure that the lock-lever is locked securely.

Loosen the lock-lever, then adjust the length of the pipe, and then lock the lock-lever.

► Fig.6: 1. Lock-lever

## Adjusting the front grip position

**CAUTION:** Always be sure that the tool is switched off before adjusting the position of the front grip.

**CAUTION:** When adjusting the position of the front grip, be careful not to pinch your fingers.

**CAUTION:** Make sure that the thumb nut is tightened securely.

**CAUTION:** Do not move the front grip beyond the arrow mark.

To adjust the position of the front grip, loosen the thumb nut by turning it counterclockwise, then adjust the position of the front grip, and then tighten the thumb nut by turning it clockwise.

► Fig.7: 1. Thumb nut 2. Arrow mark

## ASSEMBLY

**CAUTION:** Always be sure that the tool is switched off and the battery cartridge is removed before carrying out any work on the tool.

**CAUTION:** When replacing the shear blades, always wear gloves so that your hands do not directly contact the blades.

## Installing or removing the shear blades

**CAUTION:** Attach the blade cover before removing or installing the shear blades.

**NOTICE:** When replacing the shear blades, do not wipe off grease from the gear and crank.

**NOTE:** Before installing or removing the shear blades, unfold the head of the tool so that the head is straight to the tool body.

1. Place the tool upside down.

2. Remove 4 screws with a screwdriver and remove the shear blades.

► Fig.8: 1. Screw

3. Remove the crank from the shear blades.

► Fig.9: 1. Crank

**NOTE:** The crank may remain in the tool.

4. Prepare the crank and new shear blades.

► Fig.10: 1. Crank 2. Shear blades

5. Remove the blade cover, and then attach it to the new shear blades.

6. Apply a small amount of grease to the periphery of the crank. Attach the washer, gear, and the crank to the pin in order.

► Fig.11: 1. Crank 2. Gear 3. Washer 4. Pin

7. Adjust the crank so that the 2 small holes on the crank are lined up on the alignment line as shown in the figure.

► Fig.12: 1. Alignment line 2. Small hole

8. Slide the shear blades so that the hole on the guide plate is positioned at the center of the rings of blades.

► Fig.13: 1. Guide plate

9. Insert the screw removed in step 2 into the hole on the shear blades through the hole on the blade cover.

► Fig.14: 1. Hole

10. Attach the shear blades to the tool, and then tighten 3 screws with the screwdriver.

► Fig.15: 1. Screw

11. Remove the screw inserted into the hole on the shear blades in step 9, and then tighten it to fix the shear blades.

**NOTICE:** If the shear blades do not operate properly, the blades are not engaging the crank properly. Remove the blades and install them again.

**NOTICE:** If the parts other than the shear blades such as the crank are worn out, ask Makita Authorized Service Centers for parts replacement or repairs.

## Installing or removing the chip receiver

### Optional accessory

**CAUTION:** When installing or removing the chip receiver, always wear gloves so that your hands do not directly contact the shear blades.

**CAUTION:** Attach the blade cover before installing or removing the chip receiver.

The chip receiver gathers discarded leaves and makes clean-up afterward much easier. It can be installed on either side of the tool.

1. Align the holes on the chip receiver with the nuts on the shear blades.

► **Fig.16:** 1. Nut

2. Hook the claws of the chip receiver to the groove on the shear blades.

► **Fig.17:** 1. Claw 2. Groove

3. Press the levers on the chip receiver, and then hook the claws on the other side to the groove on the shear blades.

► **Fig.18:** 1. Lever

To remove the chip receiver, press the levers to release the claws.

► **Fig.19:** 1. Lever

**NOTICE:** Never try to remove the chip receiver by an excessive force with its claws locked in the grooves of the shear blades.

## OPERATION

### Operating the tool

**⚠ WARNING:** Do not use the tool near any electrical power lines. Contacting with power lines or using the tool near power lines may cause serious injury or electric shock resulting in death.

**⚠ WARNING:** Keep hands away from shear blades.

**⚠ WARNING:** Be extremely careful to maintain control of the tool at all times. Do not allow the tool to be deflected toward you or anyone in the work vicinity. Failure to keep control of the tool could result in serious injury to the bystander and the operator.

**⚠ CAUTION:** Avoid operating the tool in very hot weather as much as practicable. When operating the tool, be careful of your physical condition.

**⚠ CAUTION:** Be careful not to accidentally contact a metal fence or other hard objects while trimming. The shear blades may break and cause an injury.

**⚠ CAUTION:** Be careful not to allow the shear blades to contact the ground. The tool may recoil and cause an injury.

**⚠ CAUTION:** Overreaching with a hedge trimmer, particularly from a ladder, is extremely dangerous. Do not work while standing on anything wobbly or infirm.

**NOTICE:** Do not attempt to cut branches thicker than 10 mm in diameter with the tool. Cut branches to 10 cm lower than the cutting height using branch cutters before using the tool.

► **Fig.20:** (1) Cutting height (2) 10 cm

**NOTICE:** Do not cut down dead trees or similar hard objects. Doing so may damage the tool.

**NOTICE:** Do not trim the grass or weeds while using the shear blades. The shear blades may become tangled in the grass or weeds.

Hold the tool with both hands by holding the front grip and the rear grip.

► **Fig.21:** 1. Front grip 2. Rear grip

Pull the switch trigger while pressing the lock-off button, and then move the tool forward.

► **Fig.22**

For basic operation, tilt the shear blades toward the trimming direction and move it calmly and slowly at the speed rate of 3 to 4 seconds per meter.

► **Fig.23**

To cut a hedge side evenly, cut from the bottom to top.

► **Fig.24**

When trimming to make a round shape (trimming boxwood or rhododendron, etc.), trim from the root to the top for a beautiful finish.

► **Fig.25**

If the chip receiver is attached to the shear blades, it gathers discarded leaves and makes clean-up afterward much easier.

► **Fig.26**

## MAINTENANCE

**⚠ CAUTION:** Always be sure that the tool is switched off and the battery cartridge is removed before attempting to perform inspection or maintenance.

**⚠ CAUTION:** When inspecting or maintaining the tool, always put the tool down. Assembling or adjusting the tool in an upright position may result in serious injury.

To maintain product SAFETY and RELIABILITY, repairs, any other maintenance or adjustment should be performed by Makita Authorized or Factory Service Centers, always using Makita replacement parts.

### Cleaning the tool

Clean the tool by wiping off dust with a dry cloth or one dipped in soapy water and wrung out.

**NOTICE:** Never use gasoline, benzine, thinner, alcohol or the like. Discoloration, deformation or cracks may result.

### Shear blade maintenance

Before the operation or once per hour during operation, apply low-viscosity oil (machine oil, or spray-type lubricating oil) to the shear blades.

► **Fig.27**

After operation, remove dust from both sides of the shear blades with a wired brush, wipe it off with a cloth and then apply low-viscosity oil (machine oil, or spray-type lubricating oil) to the shear blades.

► Fig.28

**NOTICE: Do not wash the shear blades in water.**  
Doing so may cause rust or damage to the tool.

**NOTICE: Dirt and corrosion cause excessive blade friction and shorten the operating time per battery charge.**

## Storage

Attach the blade cover to the shear blades so that the blades are not exposed. Store the tool out of the reach of children. Store the tool in a place not exposed to moisture or rain.

## TROUBLESHOOTING

Before asking for repairs, conduct your own inspection first. If you find a problem that is not explained in the manual, do not attempt to dismantle the tool. Instead, ask Makita Authorized Service Centers, always using Makita replacement parts for repairs.

State of abnormality	Probable cause (malfunction)	Remedy
Motor does not run.	Battery cartridge is not installed.	Install the battery cartridge.
	Battery problem (under voltage)	Recharge the battery. If recharging is not effective, replace battery.
	The drive system does not work correctly.	Ask your local authorized service center for repair.
Motor stops running after a little use.	Battery's charge level is low.	Recharge the battery. If recharging is not effective, replace battery.
	Overheating.	Stop using of tool to allow it to cool down.
Tool does not reach maximum RPM.	Battery is installed improperly.	Install the battery cartridge as described in this manual.
	Battery power is dropping.	Recharge the battery. If recharging is not effective, replace battery.
	The drive system does not work correctly.	Ask your local authorized service center for repair.
Shear blades do not move: ⇒ stop the machine immediately!	Inappropriate angle of shear blades.	Make sure that the head is properly fixed in the operational angle.
	Foreign objects are caught between the shear blades.	Switch off the tool and remove the battery cartridge, and then remove the foreign objects using tools such as pliers.
	The drive system does not work correctly.	Ask your local authorized service center for repair.
Abnormal vibration: ⇒ stop the machine immediately!	Shear blades are broken, bent or worn.	Replace the shear blades.
	The drive system does not work correctly.	Ask your local authorized service center for repair.
Shear blades and motor cannot stop: ⇒ Remove the battery immediately!	Electric malfunction.	Remove the battery and ask your local authorized service center for repair.

## OPTIONAL ACCESSORIES

**CAUTION:** These accessories or attachments are recommended for use with your Makita tool specified in this manual. The use of any other accessories or attachments might present a risk of injury to persons. Only use accessory or attachment for its stated purpose.

- Shear blade assembly
- Chip receiver
- Grease vessel
- Makita genuine battery and charger

**NOTE:** Some items in the list may be included in the tool package as standard accessories. They may differ from country to country.

If you need any assistance for more details regarding these accessories, ask your local Makita Service Center.

## SPÉCIFICATIONS

Modèle :	UN460WD
Longueur de la lame	460 mm
Nombre de courses par minute	3 600 min <sup>-1</sup>
Angle de la lame de coupe	135° (60° vers le haut, 75° vers le bas)
Longueur totale	1 889 - 2 511 mm
Tension nominale	10,8 V - 12 V c.c. max.
Poids net	2,8 - 3,0 kg

- Étant donné l'évolution constante de notre programme de recherche et de développement, les spécifications contenues dans ce manuel sont sujettes à modification sans préavis.
- Les spécifications peuvent varier suivant les pays.
- Le poids peut être différent selon les accessoires, notamment la batterie. Les associations la plus légère et la plus lourde, conformément à la procédure EPTA 01/2014, sont indiquées dans le tableau.

### Batterie et chargeur applicables

Batterie	BL1016 / BL1021B / BL1041B
Chargeur	DC10SA / DC10SB / DC10WC / DC10WD / DC18RE

- Certains chargeurs et batteries répertoriés ci-dessus peuvent ne pas être disponibles selon la région où vous résidez.

**AVERTISSEMENT** : N'utilisez que les batteries et les chargeurs répertoriés ci-dessus. L'utilisation d'autres batteries et chargeurs peut provoquer des blessures et/ou un incendie.

### Symboles

Vous trouverez ci-dessous les symboles susceptibles d'être utilisés pour l'appareil. Veuillez à comprendre leur signification avant toute utilisation.

	Lire le mode d'emploi.
	Ne pas exposer à l'eau.
	Portez un casque, des lunettes à coques et un serre-tête antibruit.
	DANGER - Gardez vos mains à l'écart de la lame.
	Attention aux lignes électriques, risque d'électrocution.
	Maintenez une distance d'au moins 15 m.



Pour les pays de l'Union européenne uniquement

En raison de la présence de composants dangereux dans l'équipement, les déchets d'équipements électriques et électroniques, les accumulateurs et les batteries peuvent avoir un impact négatif sur l'environnement et la santé humaine.

Ne jetez pas les appareils électriques et électroniques ou les batteries avec les ordures ménagères !

Conformément à la directive européenne relative aux déchets d'équipements électriques et électroniques et aux déchets d'accumulateurs et de batteries, ainsi qu'à son adaptation à la législation nationale, les déchets d'équipements électriques, les batteries et les accumulateurs doivent être collectés séparément et déposés dans un point de collecte distinct pour déchets urbains, conformément aux réglementations en matière de protection de l'environnement.

Cela est indiqué par le symbole de la poubelle à roulettes barrée sur l'équipement.



Niveau de puissance sonore garanti selon la directive européenne sur le bruit dans l'environnement.



Niveau de puissance sonore selon la réglementation australienne NSW sur le contrôle du bruit

### Utilisations

L'outil est conçu pour tailler les haies.



## Bruit

Niveau de bruit pondéré A typique, déterminé selon EN62841-4-2 :

Niveau de pression sonore ( $L_{pA}$ ) : 74 dB (A)

Incertitude (K) : 3 dB (A)

Le niveau de bruit en fonctionnement peut dépasser 80 dB (A).

**NOTE** : La ou les valeurs d'émission de bruit déclarées ont été mesurées conformément à la méthode de test standard et peuvent être utilisées pour comparer les outils entre eux.

**NOTE** : La ou les valeurs d'émission de bruit déclarées peuvent aussi être utilisées pour l'évaluation préliminaire de l'exposition.

**AVERTISSEMENT** : Portez un serre-tête antibruit.

**AVERTISSEMENT** : L'émission de bruit lors de l'usage réel de l'outil électrique peut être différente de la ou des valeurs déclarées, suivant la façon dont l'outil est utilisé, particulièrement selon le type de pièce usinée.

**AVERTISSEMENT** : Les mesures de sécurité à prendre pour protéger l'utilisateur doivent être basées sur une estimation de l'exposition dans des conditions réelles d'utilisation (en tenant compte de toutes les composantes du cycle d'utilisation, comme par exemple le moment de sa mise hors tension, lorsqu'il tourne à vide et le moment de son déclenchement).

## Vibrations

Norme applicable : EN62841-4-2

Main gauche (manche avant)		Main droite (manche arrière)	
$a_h$ ( $m/s^2$ )	Incertitude K ( $m/s^2$ )	$a_h$ ( $m/s^2$ )	Incertitude K ( $m/s^2$ )
2,5 $m/s^2$ ou moins	1,5	2,5 $m/s^2$ ou moins	1,5

**NOTE** : La ou les valeurs de vibration totales déclarées ont été mesurées conformément à la méthode de test standard et peuvent être utilisées pour comparer les outils entre eux.

**NOTE** : La ou les valeurs de vibration totales déclarées peuvent aussi être utilisées pour l'évaluation préliminaire de l'exposition.

**AVERTISSEMENT** : L'émission de vibrations lors de l'usage réel de l'outil électrique peut être différente de la ou des valeurs déclarées, suivant la façon dont l'outil est utilisé, particulièrement selon le type de pièce usinée.

**AVERTISSEMENT** : Les mesures de sécurité à prendre pour protéger l'utilisateur doivent être basées sur une estimation de l'exposition dans des conditions réelles d'utilisation (en tenant compte de toutes les composantes du cycle d'utilisation, comme par exemple le moment de sa mise hors tension, lorsqu'il tourne à vide et le moment de son déclenchement).

## Déclaration de conformité CE

*Pour les pays européens uniquement*

La déclaration de conformité CE est fournie en Annexe A à ce mode d'emploi.

## CONSIGNES DE SÉCURITÉ

### Consignes de sécurité générales pour outils électriques

**AVERTISSEMENT** : Veuillez lire les consignes de sécurité, instructions, illustrations et spécifications qui accompagnent cet outil électrique. Le non-respect de toutes les instructions indiquées ci-dessous peut entraîner une électrocution, un incendie et/ou de graves blessures.

### Conservez toutes les mises en garde et instructions pour référence ultérieure.

Le terme « outil électrique » dans les avertissements fait référence à l'outil électrique alimenté par le secteur (avec cordon d'alimentation) ou à l'outil électrique fonctionnant sur batterie (sans cordon d'alimentation).

### Consignes de sécurité pour taille-haie sur perche sans fil

1. **Prenez soin de n'approcher aucune partie du corps de la lame. Ne retirez pas le matériau coupé, ni ne tenez le matériau à couper lorsque les lames sont en mouvement.** Les lames continuent de bouger même après que l'interrupteur est en position d'arrêt. Un moment d'inattention en cours d'utilisation du taille-haie peut entraîner des blessures graves.
2. **Transportez le taille-haie par la poignée avec la lame arrêtée et en prenant soin de ne pas actionner l'interrupteur d'alimentation.** En transportant correctement le taille-haie, vous diminuez le risque d'un démarrage intempestif et le risque de blessure présenté par les lames.



3. **Lors du transport ou du rangement du taille-haie, mettez toujours en place le couvre-lame.** Une manipulation correcte du taille-haie réduira le risque de blessure présenté par les lames.
4. **Lorsque vous dégagez un matériau bloqué ou dépannez l'appareil, assurez-vous que tous les interrupteurs d'alimentation sont en position d'arrêt et que la batterie est retirée ou débranchée.** Le déclenchement inopiné du taille-haie pendant que vous dégagez un matériau bloqué ou dépannez l'appareil peut provoquer de graves blessures corporelles.
5. **Tenez le taille-haie uniquement par ses surfaces de prise isolées, car la lame pourrait entrer en contact avec le câblage caché.** Le contact des lames avec un fil sous tension peut transmettre du courant dans les pièces métalliques exposées du taille-haie et électrocuter l'opérateur.
6. **Éloignez les cordons d'alimentation et les câbles de la zone de coupe.** Les cordons d'alimentation ou les câbles peuvent être cachés derrière les haies ou les buissons et peuvent être coupés accidentellement par la lame.
7. **N'utilisez pas le taille-haie par mauvais temps, particulièrement en cas d'orage.** Vous éviterez ainsi d'être frappé par la foudre.
8. **Pour réduire le risque d'électrocution, n'utilisez jamais le taille-haie sur perche près d'une ligne électrique.** Le contact avec des lignes électriques ou l'utilisation près de lignes électriques présente un danger mortel de graves blessures ou d'électrocution.
9. **Servez-vous toujours de vos deux mains lorsque vous utilisez le taille-haie sur perche.** Tenez le taille-haie sur perche des deux mains pour éviter toute perte de contrôle.
10. **Portez toujours un casque de sécurité lorsque vous utilisez le taille-haie sur perche au-dessus de votre tête.** La chute de débris peut provoquer de graves blessures corporelles.
7. **Avant toute utilisation, examinez l'aire de travail pour vous assurer qu'elle ne présente pas de fils barbelés, de pierres ou d'autres objets durs. Ils peuvent endommager les lames.**
8. **N'utilisez le taille-haie que si vous êtes en bonne condition physique.** Si vous êtes fatigué, votre attention sera réduite. Redoublez de précaution à la fin d'une journée de travail. Travaillez toujours en faisant preuve de calme et de prudence. L'utilisateur est responsable de tous les dommages causés à des tiers.
9. **Avant de commencer la tâche, assurez-vous que le taille-haie est dans un bon état de marche sécuritaire. Assurez-vous que les carter de protection sont correctement installés. Le taille-haie ne doit pas être utilisé tant qu'il n'est pas complètement assemblé.**
10. **Évitez les environnements dangereux. N'utilisez pas l'outil dans un endroit humide, ni ne l'exposez à la pluie. Le risque d'électrocution augmente si de l'eau pénètre dans l'outil.**

#### Équipement de protection individuelle

1. Les gants de travail en cuir robuste font partie de l'équipement de base du taille-haie et leur port est obligatoire pendant que vous l'utilisez. Portez également des chaussures solides à semelles antidérapantes.
2. Portez des protections auditives comme des coquilles anti-bruit afin d'éviter une perte d'audition.
3. Portez des lunettes de protection, un casque de sécurité et des gants de protection pour vous protéger des projections de débris ou des chutes d'objets.
4. Lorsque vous touchez les lames ou ajustez l'angle des lames, portez des gants de protection. Les lames peuvent gravement couper les mains nues.

#### Fonctionnement

1. **Servez-vous toujours de vos deux mains pour utiliser l'outil.** Si vous ne vous servez que d'une seule main, vous risquez de perdre le contrôle et de gravement vous blesser.
2. **Pendant que vous utilisez l'outil, assurez-vous toujours que la position de fonctionnement est sûre. Il est très dangereux de se pencher trop loin avec l'outil, particulièrement depuis une échelle. Ne travaillez pas depuis une surface bancale ou molle.**
3. **Ne portez pas simultanément de ceintures-baudriers et/ou de bandoulières lorsque vous utilisez l'outil.**
4. **Pendant le fonctionnement, éloignez les badauds ou les animaux d'au moins 15 m de l'outil. Arrêtez l'outil aussitôt que quelqu'un s'approche.**
5. **Si l'outil de coupe heurte un objet ou si l'outil démarre avec un bruit ou des vibrations inhabituels, éteignez l'outil et retirez la batterie sur le champ, puis laissez l'outil s'arrêter. Prenez ensuite les étapes suivantes :**
  - inspectez les dommages
  - vérifiez et resserrez les pièces mal serrées
  - faites remplacer ou réparer les pièces endommagées par des pièces de rechange d'origine.

## Consignes de sécurité supplémentaires

### Préparatifs

1. **CE TAILLE-HAIE PEUT PROVOQUER DE GRAVES BLESSURES. Lisez attentivement les instructions pour connaître les procédures correctes de manipulation, préparation, maintenance, démarrage et arrêt de l'outil. Familiarisez-vous avec toutes les commandes et la bonne utilisation de l'outil.**
2. **Vérifiez l'absence de corps étrangers comme du fil barbelé ou un câblage caché dans les haies et les buissons avant d'utiliser l'outil.**
3. **Le taille-haie ne doit pas être utilisé par des enfants ou des adolescents de moins de 18 ans. Cette restriction peut ne pas s'appliquer aux mineurs de plus de 16 ans s'ils sont en cours de formation sous la surveillance d'un expert.**
4. **En cas d'urgence, éteignez l'outil et retirez la batterie sur le champ.**
5. **DANGER - Gardez vos mains à l'écart de la lame.** Le contact avec la lame présente un risque de graves blessures corporelles.
6. **Les utilisateurs novices doivent être formés par un utilisateur expérimenté pour leur montrer comment utiliser l'outil.**

6. **N'utilisez l'outil qu'aux fins prévues. N'utilisez pas l'outil à d'autres fins.**
  7. **Mettez l'outil hors tension et retirez la batterie avant de :**
    - nettoyer ou débloquer l'outil,
    - effectuer la vérification, la maintenance ou l'entretien de l'outil,
    - ajuster la position de travail des lames de cisaille,
    - laisser l'outil sans surveillance.
  8. **Assurez-vous que l'outil est correctement placé dans une position de travail désignée avant de le démarrer.**
  9. **N'utilisez pas l'outil si les lames de cisaille sont endommagées ou très usées.**
  10. **Soyez toujours vigilant à ce qui vous entoure et restez attentif aux dangers potentiels dont vous n'avez peut-être pas conscience en raison du bruit de l'outil.**
  11. **Prenez soin de ne pas toucher accidentellement une clôture en métal ou d'autres objets durs pendant le fonctionnement.** La lame cassera et pourrait provoquer de graves blessures.
  12. **Évitez les démarrages intempestifs. Ne transportez pas l'outil avec la batterie insérée et avec le doigt sur l'interrupteur. Assurez-vous que l'interrupteur est en position d'arrêt lorsque vous insérez la batterie.**
  13. **Ne saisissez pas les lames de coupe exposées ou les bords tranchants pour soulever ou tenir l'outil.**
  14. **Ne forcez pas l'outil.** Si vous respectez le régime pour lequel il a été conçu, il réalisera un travail de meilleure qualité et avec moins de risque de blessures.
  15. **N'utilisez pas l'outil sous la pluie ou dans des conditions mouillées ou très humides.** Le moteur électrique n'est pas étanche.
  16. **Tenez l'outil fermement lorsque vous l'utilisez.**
  17. **Ne faites pas tourner l'outil à vide inutilement.**
  18. **Avant de vérifier les lames de cisaille, de les dépanner ou de retirer des corps étrangers pris dedans, éteignez toujours l'outil et retirez la batterie.**
  19. **Ne dirigez jamais les lames de cisaille vers vous-même ou quelqu'un d'autre.**
  20. **Si les lames cessent de bouger, car des corps étrangers sont collés entre elles pendant le fonctionnement, éteignez l'outil et retirez la batterie, puis ôtez les corps étrangers en utilisant un outil comme une pince.** Ôter les corps étrangers à la main présente un risque de blessure, du fait que les lames peuvent bouger en réaction au retrait des corps étrangers.
- Sécurité électrique et sécurité des batteries**
1. **Évitez les environnements dangereux. N'utilisez pas l'outil dans un endroit humide, ni ne l'exposez à la pluie.** Le risque d'électrocution augmente si de l'eau pénètre dans l'outil.
  2. **Ne jetez pas la ou les batteries au feu.** L'élément de la pile pourrait exploser. Consultez les codes locaux pour de possibles instructions de mise au rebut spéciales.
  3. **N'ouvrez ni ne manipulez la ou les batteries.** L'électrolyte qui s'échappe de la batterie est corrosif et peut irriter la peau ou les yeux. Il peut être toxique en cas d'ingestion.
  4. **Ne chargez pas la batterie sous la pluie ou dans un endroit mouillé.**
  5. **Ne pas charger la batterie à l'extérieur.**
  6. **Ne manipulez pas le chargeur, y compris la fiche du chargeur et les bornes du chargeur avec les mains mouillées.**
- Entretien et rangement**
1. **Lorsque l'outil est arrêté pour effectuer un dépannage ou une inspection, ou le ranger, éteignez-le, retirez la batterie et assurez-vous que toutes les pièces mobiles sont arrêtées. Laissez l'outil refroidir avant d'effectuer une inspection, un réglage, etc.**
  2. **Laissez toujours l'outil refroidir avant de le ranger.**
  3. **Quand l'outil n'est pas utilisé, le couvre-lame doit être en place et l'outil doit être rangé à l'intérieur dans un endroit sec, surélevé, fermé à clef et hors de portée des enfants.**
  4. **Entretenez soigneusement l'outil. Conservez le tranchant net et propre pour des performances optimales et pour réduire le risque de blessures. Suivez les instructions pour la lubrification et le remplacement des accessoires. Les manches doivent être secs, propres et ne doivent pas présenter de traces d'huile ou de graisse.**
  5. **Vérifiez les pièces endommagées. Avant toute nouvelle utilisation de l'outil, vérifiez soigneusement toute pièce endommagée pour déterminer qu'elle fonctionne bien et remplisse sa fonction prévue. Assurez-vous que les pièces en mouvement ne sont pas désalignées ou coincées, qu'aucune pièce ou fixation n'est cassée ou la présence de toute autre condition pouvant affecter le bon fonctionnement.** Si le carter de protection ou toute autre pièce sont endommagés, ils doivent être réparés ou remplacés de manière adéquate par votre centre de service après-vente agréé.
  6. **Utilisez uniquement des pièces de rechange d'origine.**
  7. **Lorsque vous déplacez l'outil dans un autre endroit, y compris pendant le travail, retirez toujours la batterie et placez le couvre-lame sur les lames de cisaille. Ne transportez jamais l'outil avec les lames fonctionnant. Ne saisissez jamais les lames avec les mains.**
  8. **Nettoyez l'outil et particulièrement les lames de cisaille après utilisation et avant de le ranger pendant une période prolongée. Huilez légèrement les lames de cisaille et mettez le couvre-lame en place.**
  9. **Ne jetez pas la ou les batteries au feu. L'élément de la pile pourrait exploser. Consultez les codes locaux pour de possibles instructions de mise au rebut spéciales.**
  10. **N'ouvrez ni ne manipulez la ou les batteries. L'électrolyte qui s'échappe de la batterie est corrosif et peut irriter la peau ou les yeux. Il peut être toxique en cas d'ingestion.**
  11. **Ne chargez pas la batterie sous la pluie ou dans un endroit mouillé.**

**CONSERVEZ CES INSTRUCTIONS.**

**⚠️ AVERTISSEMENT** : NE vous laissez PAS tromper (au fil d'une utilisation répétée) par un sentiment d'aisance et de familiarité avec le produit, en négligeant le respect rigoureux des consignes de sécurité qui accompagnent le produit en question. La MAUVAISE UTILISATION de l'outil ou l'ignorance des consignes de sécurité indiquées dans ce mode d'emploi peut entraîner de graves blessures.

## Consignes de sécurité importantes pour la batterie

1. Avant d'utiliser la batterie, lisez toutes les instructions et précautions relatives (1) au chargeur de batterie, (2) à la batterie, et (3) au produit utilisant la batterie.
2. Ne désassemblez pas et ne modifiez pas la batterie. Cela pourrait entraîner un incendie, une chaleur excessive ou une explosion.
3. Cessez immédiatement l'utilisation si le temps de fonctionnement devient excessivement court. Il y a risque de surchauffe, de brûlures, voire d'explosion.
4. Si l'électrolyte pénètre dans vos yeux, rincez-les à l'eau claire et consultez immédiatement un médecin. Il y a risque de perte de la vue.
5. Ne court-circuitez pas la batterie :
  - (1) Ne touchez les bornes avec aucun matériau conducteur.
  - (2) Évitez de ranger la batterie dans un conteneur avec d'autres objets métalliques, par exemple des clous, des pièces de monnaie, etc.
  - (3) N'exposez pas la batterie à l'eau ou à la pluie. Un court-circuit de la batterie peut provoquer une intensité de courant élevée, une surchauffe, parfois des brûlures et même une panne.
6. Ne rangez ni n'utilisez l'outil et la batterie dans un endroit où la température risque d'atteindre ou de dépasser 50 °C.
7. Ne jetez pas la batterie au feu même si elle est sérieusement endommagée ou complètement épuisée. La batterie peut exploser au contact du feu.
8. Abstenez-vous de clouer, couper, écraser, jeter, laisser tomber la batterie, ou de la heurter contre un objet dur. Cela pourrait entraîner un incendie, une chaleur excessive ou une explosion.
9. N'utilisez pas la batterie si elle est endommagée.
10. Les batteries au lithium-ion contenues sont soumises aux exigences de la législation sur les marchandises dangereuses.

Lors du transport commercial par des tierces parties ou des transitaires par exemple, des exigences spécifiques en matière d'étiquetage et d'emballage doivent être respectées.

Pour la préparation de l'article expédié, il est nécessaire de consulter un expert en matériau dangereux. Veuillez également respecter les réglementations nationales susceptibles d'être plus détaillées. Recouvrez les contacts exposés avec du ruban adhésif ou du ruban de masquage et emballez la batterie de telle sorte qu'elle ne puisse pas bouger dans l'emballage.

11. Lors de la mise au rebut de la batterie, retirez-la de l'outil et jetez-la en lieu sûr. Suivez les réglementations locales en matière de mise au rebut des batteries.
12. Utilisez les batteries uniquement avec les produits spécifiés par Makita. L'insertion de batteries dans des produits non conformes peut provoquer un incendie, une chaleur excessive, une explosion ou une fuite de l'électrolyte.
13. Lorsque vous n'utilisez pas l'outil pendant une période prolongée, la batterie doit être retirée de l'outil.
14. Pendant et après l'utilisation, la batterie peut chauffer, ce qui peut entraîner des brûlures, y compris en cas de température relativement basse. Manipulez les batteries chaudes avec précaution.
15. Ne touchez pas la borne de l'outil immédiatement après utilisation car elle peut être assez chaude pour provoquer des brûlures.
16. Évitez que des copeaux, de la poussière ou du sol adhèrent aux bornes, aux trous et aux rainures de la batterie. Cela pourrait réduire les performances ou casser l'outil ou la batterie.
17. À moins que l'outil prenne en charge un tel usage, n'utilisez pas la batterie à proximité de lignes électriques haute tension. Cela pourrait entraîner un dysfonctionnement ou casser l'outil ou la batterie.
18. Conservez la batterie hors de portée des enfants.

## CONSERVEZ CES INSTRUCTIONS.

**⚠️ ATTENTION** : N'utilisez que des batteries Makita d'origine. L'utilisation de batteries de marque autre que Makita ou de batteries modifiées peut provoquer l'explosion des batteries, ce qui présente un risque d'incendie, de dommages matériels et corporels. Cela annulera également la garantie Makita pour l'outil et le chargeur Makita.

## Conseils pour assurer la durée de vie optimale de la batterie

1. Chargez la batterie avant qu'elle ne soit complètement déchargée. Arrêtez toujours l'outil et rechargez la batterie quand vous remarquez que la puissance de l'outil diminue.
2. Ne rechargez jamais une batterie complètement chargée. La surcharge réduit la durée de service de la batterie.
3. Chargez la batterie à une température ambiante comprise entre 10 °C et 40 °C. Avant de charger une batterie chaude, laissez-la refroidir.
4. Lorsque vous n'utilisez pas la batterie, retirez-la de l'outil ou du chargeur.

# DESCRIPTION DES PIÈCES

► Fig.1

1	Tête	2	Bouton de réglage de l'angle	3	Levier de verrouillage	4	Écrou moleté
5	Manche avant	6	Manche arrière	7	Batterie	8	Gâchette
9	Bouton de sécurité	10	Lames de cisaille	-	-	-	-

## DESCRIPTION DU FONCTIONNEMENT

**⚠ ATTENTION :** Assurez-vous toujours que l'outil est hors tension et que sa batterie est retirée avant de l'ajuster ou de vérifier son fonctionnement.

### Insertion ou retrait de la batterie

**⚠ ATTENTION :** Éteignez toujours l'outil avant de mettre en place ou de retirer la batterie.

**⚠ ATTENTION :** Tenez fermement l'outil et la batterie lors de la mise en place ou du retrait de la batterie. Si vous ne tenez pas fermement l'outil et la batterie, ils peuvent vous glisser des mains, et s'abîmer ou vous blesser.

► Fig.2: 1. Indicateur rouge 2. Bouton 3. Batterie

Pour retirer la batterie, faites-la glisser hors de l'outil tout en faisant glisser le bouton à l'avant de la batterie.

Pour mettre la batterie en place, alignez la languette de la batterie avec la rainure du compartiment puis insérez la batterie. Insérez-la entièrement jusqu'à entendre un léger dé clic indiquant qu'elle est bien en place. Si vous pouvez voir l'indicateur rouge comme illustré sur la figure, c'est qu'elle n'est pas bien verrouillée.

**⚠ ATTENTION :** Insérez toujours complètement la batterie jusqu'à ce que l'indicateur rouge ne soit plus visible. Sinon, elle pourrait tomber accidentellement de l'outil, au risque de vous blesser ou de blesser quelqu'un se trouvant près de vous.

**⚠ ATTENTION :** N'insérez pas la batterie de force. Si elle ne glisse pas facilement, c'est que vous ne l'insérez pas correctement.

### Indication de la charge restante de la batterie

*Uniquement pour les batteries avec voyant lumineux*

► Fig.3: 1. Témoins 2. Bouton de vérification

Appuyez sur le bouton de vérification sur la batterie pour indiquer la charge restante de la batterie. Les témoins s'allument pendant quelques secondes.

Témoins		Charge restante
Allumé	Éteint	
		75 % - 100 %
		50 % - 75 %
		25 % - 50 %
		0 % - 25 %

**NOTE :** Selon les conditions d'utilisation et la température ambiante, l'indication peut être légèrement différente de la capacité réelle.

### Système de protection de l'outil/la batterie

La machine est dotée d'un système de protection de la batterie. Ce système coupe automatiquement l'alimentation vers le moteur pour prolonger la durée de service de la batterie.

Si la machine et/ou la batterie se trouvent dans l'une des situations suivantes, la machine cessera automatiquement de fonctionner :

#### Surcharge :

L'outil est utilisé de manière telle qu'il consomme un courant anormalement élevé. Dans cette situation, éteignez l'outil et arrêtez la tâche ayant provoqué la surcharge de l'outil. Puis rallumez l'outil pour reprendre la tâche.

Si l'outil ne démarre pas, c'est que la batterie a surchauffé.

Dans ce cas, laissez la batterie refroidir avant de rallumer l'outil.

#### Faible tension de la batterie :

La capacité restante de la batterie est trop faible et l'outil ne fonctionne pas. Si vous allumez l'outil, le moteur redémarre, mais s'arrête rapidement. Dans ce cas, retirez la batterie et rechargez-la.

### Fonctionnement de la gâchette

**⚠ AVERTISSEMENT :** Avant d'insérer la batterie dans l'outil, vérifiez toujours que la gâchette fonctionne bien et revient en position d'arrêt lorsque vous la relâchez.

**⚠ AVERTISSEMENT :** Pour assurer votre sécurité, cet outil est équipé d'un bouton de sécurité qui empêche le démarrage intempestif de l'outil. N'utilisez jamais l'outil s'il se met en marche lorsque vous enclenchez la gâchette sans avoir enfoncé le bouton de sécurité. Confiez les réparations à votre centre de service Makita.

**⚠ AVERTISSEMENT :** Ne désactivez jamais la fonction de verrouillage ni ne scotchez le bouton de sécurité.

**REMARQUE** : Évitez d'enclencher la gâchette avec force lorsque le bouton de sécurité n'est pas enfoncé. Le commutateur pourrait se casser.

► Fig.4: 1. Bouton de sécurité 2. Gâchette

Un bouton de sécurité a été prévu pour éviter l'activation accidentelle de la gâchette.

Pour démarrer l'outil, enfoncez le bouton de sécurité puis enclenchez la gâchette. Pour l'arrêter, relâchez la gâchette. Le bouton de sécurité peut être enfoncé depuis la droite ou la gauche.

## Réglage de l'angle de coupe

**ATTENTION** : Assurez-vous toujours que l'outil est hors tension avant de rabattre ou déployer la tête.

**ATTENTION** : Lorsque vous rabattez la tête pour transporter l'outil ou après avoir utilisé l'outil, veillez à fixer le couvre-lame avant de rabattre la tête.

**ATTENTION** : Lorsque vous rabattez la tête, prenez soin de ne pas vous pincer les doigts entre la tête et le corps de l'outil.

L'angle de la tête peut être réglé en 10 étapes. Pour modifier l'angle de la tête, suivez les étapes ci-dessous.

1. Tenez la tête et le corps de l'outil comme illustré sur la figure.

► Fig.5: 1. Tête 2. Bouton de réglage de l'angle

2. Réglez l'angle de la tête tout en maintenant enfoncé le bouton de réglage de l'angle, puis relâchez le bouton de réglage de l'angle.

3. Déplacez légèrement la tête jusqu'à ce qu'elle se verrouille en place avec un déclic.

**NOTE** : Assurez-vous que la tête est solidement verrouillée avant d'utiliser l'outil.

## Réglage de la longueur du tube

**ATTENTION** : Assurez-vous toujours que l'outil est hors tension avant de régler la longueur du tube.

**ATTENTION** : Lors du réglage de la longueur du tuyau, veillez à fixer le couvre-lame avant de régler la longueur du tuyau.

**ATTENTION** : Lors du réglage de la longueur du tube, veillez à ne pas vous pincer les doigts.

**ATTENTION** : Vérifiez que le levier de verrouillage est bien verrouillé.

Desserrez le levier de verrouillage, réglez la longueur du tube, puis verrouillez le levier de verrouillage.

► Fig.6: 1. Levier de verrouillage

## Réglage de la position du manche avant

**ATTENTION** : Assurez-vous toujours que l'outil est hors tension avant de régler la position du manche avant.

**ATTENTION** : Lors du réglage de la position du manche avant, veillez à ne pas vous pincer les doigts.

**ATTENTION** : Assurez-vous que l'écrou moleté est solidement serré.

**ATTENTION** : Ne déplacez pas le manche avant au-delà de la flèche.

Pour régler la position du manche avant, desserrez l'écrou moleté en le tournant dans le sens inverse des aiguilles d'une montre, puis réglez la position du manche avant, et ensuite serrez l'écrou moleté en le tournant dans le sens des aiguilles d'une montre.

► Fig.7: 1. Écrou moleté 2. Flèche

## ASSEMBLAGE

**ATTENTION** : Assurez-vous toujours que l'outil est hors tension et que sa batterie est retirée avant d'effectuer toute tâche dessus.

**ATTENTION** : Lorsque vous remplacez les lames de cisaille, portez toujours des gants de sorte que vos mains ne touchent pas directement les lames.

## Pose ou dépose des lames de cisaille

**ATTENTION** : Fixez le couvre-lame avant de déposer ou poser les lames de cisaille.

**REMARQUE** : Lorsque vous remplacez les lames de cisaille, ne retirez pas la graisse de l'engrenage et de la manivelle.

**NOTE** : Avant d'installer ou de retirer les lames de cisaille, déployez la tête de l'outil pour que la tête se retrouve directement sur le corps de l'outil.

1. Placez l'outil à l'envers.

2. Retirez les 4 vis avec un tournevis et déposez les lames de cisaille.

► Fig.8: 1. Vis

3. Retirez la manivelle des lames de cisaille.

► Fig.9: 1. Manivelle

**NOTE** : La manivelle peut rester dans l'outil.

4. Préparez la manivelle et les lames de cisaille neuves.

► Fig.10: 1. Manivelle 2. Lames de cisaille

5. Retirez le couvre-lame, puis fixez-le aux lames de cisaille neuves.

6. Appliquez une petite quantité de graisse sur la périphérie de la manivelle. Fixez la rondelle, l'engrenage et la manivelle sur la goupille dans l'ordre.

► **Fig.11:** 1. Manivelle 2. Engrenage 3. Rondelle  
4. Goupille

7. Réglez la manivelle de sorte que les 2 petits trous sur la manivelle soient alignés sur la ligne d'alignement comme illustré sur la figure.

► **Fig.12:** 1. Ligne d'alignement 2. Petit trou

8. Faites glisser les lames de cisaille de sorte que le trou sur la plaque de guidage soit placé au centre des anneaux des lames.

► **Fig.13:** 1. Plaque de guidage

9. Insérez la vis retirée à l'étape 2 dans le trou sur les lames de cisaille par le trou sur le couvre-lame.

► **Fig.14:** 1. Trou

10. Fixez les lames de cisaille sur l'outil, puis serrez 3 vis avec le tournevis.

► **Fig.15:** 1. Vis

11. Retirez la vis insérée dans le trou sur les lames de cisaille à l'étape 9, puis serrez-la pour fixer les lames de cisaille.

**REMARQUE :** Si les lames de cisaille ne fonctionnent pas correctement, les lames ne sont pas engagées correctement dans la manivelle. Retirez les lames, puis remettez-les en place.

**REMARQUE :** Si d'autres pièces que les lames de cisaille comme la manivelle sont usées, demandez leur remplacement ou réparation aux centres de service après-vente Makita agréés.

## Installation ou retrait du collecteur de copeaux

### Accessoire en option

**ATTENTION :** Lorsque vous installez ou retirez le collecteur de copeaux, portez toujours des gants de sorte que vos mains n'entrent pas en contact direct avec les lames de cisaille.

**ATTENTION :** Fixez le couvre-lame avant d'installer ou de retirer le collecteur de copeaux.

Le collecteur de copeaux rassemble les feuilles élaguées et facilite le nettoyage ultérieur. Il s'installe d'un côté comme de l'autre de l'outil.

1. Alignez les trous sur le collecteur de copeaux avec les écrous sur les lames de cisaille.

► **Fig.16:** 1. Écrou

2. Accrochez les griffes du collecteur de copeaux sur la rainure des lames de cisaille.

► **Fig.17:** 1. Griffes 2. Rainure

3. Appuyez sur les leviers du collecteur de copeaux, puis accrochez les griffes de l'autre côté sur la rainure des lames de cisaille.

► **Fig.18:** 1. Levier

Pour retirer le collecteur de copeaux, appuyez sur les leviers pour relâcher les griffes.

► **Fig.19:** 1. Levier

**REMARQUE :** N'essayez jamais de retirer le collecteur de copeaux en exerçant une force excessive avec ses griffes verrouillées dans les rainures des lames de cisaille.

## UTILISATION

### Fonctionnement de l'outil

**AVERTISSEMENT :** N'utilisez pas l'outil près de lignes électriques. Le contact avec des lignes électriques ou l'utilisation de l'outil près de lignes électriques présente un danger mortel de graves blessures ou d'électrocution.

**AVERTISSEMENT :** Éloignez les mains des lames de cisaille.

**AVERTISSEMENT :** Redoublez de prudence pour garder constamment la maîtrise de l'outil. Ne laissez pas l'outil dévier vers vous ou en direction de quiconque à proximité de la zone de travail. Si vous ne maîtrisez pas l'outil, vous risqueriez de vous blesser et de blesser d'autres personnes.

**ATTENTION :** Évitez autant que possible de faire fonctionner l'outil par temps très chaud. Lorsque vous utilisez l'outil, faites attention à votre condition physique.

**ATTENTION :** Prenez soin de ne pas toucher accidentellement une clôture en métal ou d'autres objets durs pendant la coupe. Les lames de cisaille peuvent se briser et vous blesser.

**ATTENTION :** Prenez soin de ne pas laisser les lames de cisaille entrer en contact avec le sol. L'outil pourrait avoir un mouvement de recul et provoquer des blessures.

**ATTENTION :** Il est très dangereux de se pencher trop loin avec un taille-haie, particulièrement depuis une échelle. Ne travaillez pas en vous tenant debout sur une surface bancale ou molle.

**REMARQUE :** N'essayez pas de couper avec l'outil des branches dont l'épaisseur dépasse 10 mm de diamètre. Coupez les branches à 10 cm plus bas que la hauteur de coupe au moyen d'un coupe-branches avant d'utiliser l'outil.

► **Fig.20:** (1) Hauteur de coupe (2) 10 cm

**REMARQUE :** Ne coupez pas d'arbres morts ou d'objets durs semblables. Vous risqueriez d'endommager l'outil.

**REMARQUE :** Ne coupez pas l'herbe ou les mauvaises herbes pendant que vous utilisez les lames de cisaille. Les lames de cisaille peuvent s'entortiller dans l'herbe ou les mauvaises herbes.



Tenez l'outil des deux mains en tenant le manche avant et le manche arrière.

► **Fig.21:** 1. Manche avant 2. Manche arrière

Enclenchez la gâchette tout en enfonçant le bouton de sécurité, puis déplacez l'outil vers l'avant.

► **Fig.22**

Pour une utilisation élémentaire, inclinez les lames de cisaille dans le sens de coupe et déplacez-le calmement et lentement à une vitesse de 3 à 4 secondes par mètre.

► **Fig.23**

Pour couper uniformément le côté d'une haie, coupez de bas en haut.

► **Fig.24**

Pour tailler une forme ronde (taille de buis ou rhododendron, etc.), coupez depuis la racine jusqu'en haut pour obtenir un rendu magnifique.

► **Fig.25**

Si le collecteur de copeaux est fixé aux lames de cisaille, il rassemble les feuilles élaguées et facilite le nettoyage ultérieur.

► **Fig.26**

## ENTRETIEN

**⚠ATTENTION :** Assurez-vous toujours que l'outil est hors tension et que la batterie est retirée avant d'y effectuer tout travail d'inspection ou d'entretien.

**⚠ATTENTION :** Lors de l'inspection ou de l'entretien de l'outil, posez toujours l'outil par terre. Si vous assemblez ou réglez l'outil en le tenant debout, vous risqueriez de vous blesser grièvement.

Pour assurer la SÉCURITÉ et la FIABILITÉ du produit, toute réparation, tout travail d'entretien ou de réglage doivent être effectués par un centre d'entretien Makita agréé, avec des pièces de rechange Makita.

## Nettoyage de l'outil

Nettoyez l'outil en essuyant la poussière avec un chiffon sec ou un chiffon imbibé d'eau savonneuse bien essoré.

**REMARQUE :** N'utilisez jamais d'essence, benzène, diluant, alcool ou autre produit similaire. Cela risquerait de provoquer la décoloration, la déformation ou la fissuration de l'outil.

## Entretien des lames de cisaille

Avant utilisation ou une fois toutes les heures pendant l'utilisation, appliquez de l'huile à faible viscosité (huile machine ou huile lubrifiante en vaporisateur) sur les lames de cisaille.

► **Fig.27**

Après utilisation, retirez la poussière des deux côtés des lames de cisaille avec une brosse métallique, essuyez-la avec un chiffon, puis appliquez de l'huile à faible viscosité (huile machine ou huile lubrifiante en vaporisateur) sur les lames de cisaille.

► **Fig.28**

**REMARQUE :** Ne lavez pas les lames de cisaille dans l'eau. Cela peut les corroder ou endommager l'outil.

**REMARQUE :** La saleté et la corrosion provoquent une friction excessive de la lame et réduisent la durée de fonctionnement par charge de batterie.

## Rangement

Fixez le couvre-lame aux lames de cisaille de sorte que les lames ne soient pas exposées. Rangez l'outil hors de portée des enfants. Rangez l'outil dans un endroit non exposé à l'humidité ou à la pluie.

# GUIDE DE DÉPANNAGE

Avant de faire une demande de réparation, effectuez d'abord vous-même une inspection. Si vous rencontrez un problème non documenté dans le mode d'emploi, n'essayez pas de démonter l'outil. Demandez plutôt à un centre de service après-vente Makita agréé d'effectuer la réparation au moyen de pièces de rechange Makita.

État d'anomalie	Cause probable (dysfonctionnement)	Solution
Le moteur ne tourne pas.	La batterie n'est pas installée.	Installez la batterie.
	Problème de batterie (sous tension)	Rechargez la batterie. Si vous n'arrivez pas à recharger la batterie, remplacez-la.
	Le mécanisme d'entraînement ne fonctionne pas correctement.	Demandez à votre centre de service après-vente local agréé d'effectuer la réparation.
Le moteur s'arrête au bout d'un court moment.	La charge de la batterie est faible.	Rechargez la batterie. Si vous n'arrivez pas à recharger la batterie, remplacez-la.
	Surchauffe.	Arrêtez d'utiliser l'outil pour le laisser refroidir.
L'outil ne tourne pas à plein régime.	La batterie n'est pas bien installée.	Installez la batterie comme décrit dans ce mode d'emploi.
	La batterie faiblit.	Rechargez la batterie. Si vous n'arrivez pas à recharger la batterie, remplacez-la.
	Le mécanisme d'entraînement ne fonctionne pas correctement.	Demandez à votre centre de service après-vente local agréé d'effectuer la réparation.
Les lames de cisaille ne bougent pas : ⇒ arrêtez immédiatement la machine !	Angle inapproprié des lames de cisaille.	Assurez-vous que la tête est correctement fixée dans l'angle opérationnel.
	Des corps étrangers sont coincés entre les lames de cisaille.	Éteignez l'outil et retirez la batterie, puis enlevez les corps étrangers en utilisant un outil comme une pince.
	Le mécanisme d'entraînement ne fonctionne pas correctement.	Demandez à votre centre de service après-vente local agréé d'effectuer la réparation.
Vibration anormale : ⇒ arrêtez immédiatement la machine !	Les lames de cisaille sont cassées, pliées ou usées.	Remplacez les lames de cisaille.
	Le mécanisme d'entraînement ne fonctionne pas correctement.	Demandez à votre centre de service après-vente local agréé d'effectuer la réparation.
Les lames de cisaille et le moteur ne s'arrêtent pas : ⇒ retirez immédiatement la batterie !	Dysfonctionnement électrique.	Retirez la batterie et demandez à votre centre de service après-vente local agréé d'effectuer la réparation.

## ACCESSOIRES EN OPTION

**⚠ ATTENTION** : Ces accessoires ou pièces complémentaires sont recommandés pour l'utilisation avec l'outil Makita spécifié dans ce mode d'emploi. L'utilisation de tout autre accessoire ou pièce complémentaire peut comporter un risque de blessure. N'utilisez les accessoires ou pièces complémentaires qu'aux fins auxquelles ils ont été conçus.

Pour obtenir plus de détails sur ces accessoires, contactez votre centre d'entretien local Makita.

- Ensemble de lame de cisaille
- Collecteur de copeaux
- Tube de graisse
- Batterie et chargeur de marque Makita

**NOTE** : Il se peut que certains éléments de la liste soient compris dans l'emballage de l'outil en tant qu'accessoires standard. Ils peuvent varier d'un pays à l'autre.



## TECHNISCHE DATEN

Modell:	UN460WD
Messerlänge	460 mm
Hubzahl pro Minute	3.600 min <sup>-1</sup>
Schneidblattwinkel	135° (aufwärts 60°, abwärts 75°)
Gesamtlänge	1.889 - 2.511 mm
Nennspannung	10,8 V - max. 12 V Gleichstrom
Nettogewicht	2,8 - 3,0 kg

- Wir behalten uns vor, Änderungen der technischen Daten im Zuge der Entwicklung und des technischen Fortschritts ohne vorherige Ankündigung vorzunehmen.
- Die technischen Daten können von Land zu Land unterschiedlich sein.
- Das Gewicht kann abhängig von dem Aufsatz (den Aufsätzen), einschließlich des Akkus, unterschiedlich sein. Die leichteste und die schwerste Kombination, gemäß dem EPA-Verfahren 01/2014, sind in der Tabelle angegeben.

## Zutreffende Akkus und Ladegeräte





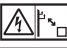

Akku	BL1016 / BL1021B / BL1041B
Ladegerät	DC10SA / DC10SB / DC10WC / DC10WD / DC18RE

- Einige der oben aufgelisteten Akkus und Ladegeräte sind je nach Ihrem Wohngebiet eventuell nicht erhältlich.

**⚠️ WARNUNG:** Verwenden Sie nur die oben aufgeführten Akkus und Ladegeräte. Bei Verwendung irgendwelcher anderer Akkus und Ladegeräte besteht Verletzungs- und/oder Brandgefahr.

## Symbole

Nachfolgend werden Symbole beschrieben, die für das Gerät verwendet werden können. Machen Sie sich unbedingt vor der Benutzung mit ihrer Bedeutung vertraut.

	Betriebsanleitung lesen.
	Keiner Feuchtigkeit aussetzen.
	Helm, Schutzbrille und Gehörschutz tragen.
	GEFAHR- Halten Sie Ihre Hände vom Messer fern.
	Vorsicht vor elektrischen Leitungen-Stromschlaggefahr.
	Mindestens 15 m Abstand halten.



Nur für EU-Länder  
Aufgrund des Vorhandenseins gefährlicher Komponenten in der Ausrüstung können Elektro- und Elektronik-Altgeräte, Akkumulatoren und Batterien sich negativ auf die Umwelt und die menschliche Gesundheit auswirken.  
Entsorgen Sie Elektro- und Elektronikgeräte oder Batterien nicht mit dem Hausmüll!  
In Übereinstimmung mit der Europäischen Richtlinie über Elektro- und Elektronik-Altgeräte, Akkumulatoren und Batterien, verbrauchte Akkumulatoren und Batterien sowie ihrer Anpassung an nationales Recht sollten Elektro-Altgeräte, Batterien und Akkumulatoren gemäß den Umweltschutzbestimmungen getrennt gelagert und zu einer getrennten Sammelstelle für Siedlungsabfälle geliefert werden.  
Dies wird durch das am Gerät angebrachte Symbol der durchgestrichenen Abfalltonne auf Rädern angezeigt.



Garantierter Schalleistungspegel gemäß der EU-Richtlinie über Außenlärm.



Schalleistungspegel gemäß der australischen NSW-Lärmschutzverordnung

## Vorgesehene Verwendung

Das Werkzeug ist zum Trimmen von Hecken vorgesehen.

## Geräusch

Typischer A-bewerteter Geräuschpegel ermittelt gemäß EN62841-4-2:

Schalldruckpegel ( $L_{pA}$ ): 74 dB (A)

Messunsicherheit (K): 3 dB (A)

Der Geräuschpegel kann während des Betriebs 80 dB (A) überschreiten.

**HINWEIS:** Der (Die) angegebene(n)

Schallemissionswert(e) wurde(n) im Einklang mit der Standardprüfmethode gemessen und kann (können) für den Vergleich zwischen Werkzeugen herangezogen werden.

**HINWEIS:** Der (Die) angegebene(n)

Schallemissionswert(e) kann (können) auch für eine Vorbewertung des Gefährdungsgrads verwendet werden.

**⚠️ WARNUNG:** Einen Gehörschutz tragen.

**⚠️ WARNUNG:** Die Schallemission während der tatsächlichen Benutzung des Elektrowerkzeugs kann je nach der Benutzungsweise des Werkzeugs, und speziell je nach der Art des bearbeiteten Werkstücks, von dem (den) angegebenen Wert(en) abweichen.

**⚠️ WARNUNG:** Identifizieren Sie Sicherheitsmaßnahmen zum Schutz des Benutzers anhand einer Schätzung des Gefährdungsgrads unter den tatsächlichen Benutzungsbedingungen (unter Berücksichtigung aller Phasen des Arbeitszyklus, wie z. B. Ausschalt- und Leerlaufzeiten des Werkzeugs zusätzlich zur Betriebszeit).

## Schwingungen

Zutreffender Standard : EN62841-4-2

Linke Hand (vorderer Handgriff)		Rechte Hand (hinterer Handgriff)	
$a_h$ ( $m/s^2$ )	Messunsicherheit K ( $m/s^2$ )	$a_h$ ( $m/s^2$ )	Messunsicherheit K ( $m/s^2$ )
2,5 $m/s^2$ oder weniger	1,5	2,5 $m/s^2$ oder weniger	1,5

**HINWEIS:** Der (Die) angegebene(n) Vibrationsgesamtwert(e) wurde(n) im Einklang mit der Standardprüfmethode gemessen und kann (können) für den Vergleich zwischen Werkzeugen herangezogen werden.

**HINWEIS:** Der (Die) angegebene(n) Vibrationsgesamtwert(e) kann (können) auch für eine Vorbewertung des Gefährdungsgrads verwendet werden.

**⚠️ WARNUNG:** Die Vibrationsemission während der tatsächlichen Benutzung des Elektrowerkzeugs kann je nach der Benutzungsweise des Werkzeugs, und speziell je nach der Art des bearbeiteten Werkstücks, von dem (den) angegebenen Emissionswert(en) abweichen.

**⚠️ WARNUNG:** Identifizieren Sie Sicherheitsmaßnahmen zum Schutz des Benutzers anhand einer Schätzung des Gefährdungsgrads unter den tatsächlichen Benutzungsbedingungen (unter Berücksichtigung aller Phasen des Arbeitszyklus, wie z. B. Ausschalt- und Leerlaufzeiten des Werkzeugs zusätzlich zur Betriebszeit).

## EG-Konformitätserklärung

*Nur für europäische Länder*

Die EG-Konformitätserklärung ist als Anhang A in dieser Bedienungsanleitung enthalten.

## SICHERHEITSWARNUNGEN

### Allgemeine Sicherheitswarnungen für Elektrowerkzeuge

**⚠️ WARNUNG:** Lesen Sie alle mit diesem Elektrowerkzeug gelieferten Sicherheitswarnungen, Anweisungen, Abbildungen und technischen Daten durch. Eine Missachtung der unten aufgeführten Anweisungen kann zu einem elektrischen Schlag, Brand und/oder schweren Verletzungen führen.

### Bewahren Sie alle Warnungen und Anweisungen für spätere Bezugnahme auf.

Der Ausdruck „Elektrowerkzeug“ in den Warnhinweisen bezieht sich auf Ihr mit Netzstrom (mit Kabel) oder Akku (ohne Kabel) betriebenes Elektrowerkzeug.

### Sicherheitswarnungen für Akku-Heckenschneider

- Halten Sie alle Körperteile vom Messer fern. Versuchen Sie nicht, abgeschnittenes Material zu entfernen oder zu schneidendes Material zu halten, während die Messer sich bewegen. Die Messer bewegen sich nach dem Ausschalten des Schalters noch weiter. Ein Augenblick der Unachtsamkeit während der Benutzung der Heckenschere kann zu schweren Personenschäden führen.
- Tragen Sie die Heckenschere bei still stehendem Messer am Handgriff, und achten Sie darauf, keinen Ein-Aus-Schalter zu betätigen. Sachgemäßes Tragen der Heckenschere verringert die Gefahr von versehentlichem Starten und daraus resultierenden Personenschäden durch die Messer.

3. **Bringen Sie beim Transportieren oder Lagern der Heckenschere immer die Messerabdeckung an.** Sachgemäße Handhabung der Heckenschere verringert die Gefahr von Personenschäden durch die Messer.
4. **Vergewissern Sie sich vor dem Beseitigen von eingeklemmtem Material oder dem Warten des Gerätes, dass alle Ein-Aus-Schalter ausgeschaltet sind und der Akku abgenommen oder abgetrennt ist.** Unerwartete Betätigung der Heckenschere beim Beseitigen von eingeklemmtem Material oder Warten kann zu schweren Personenschäden führen.
5. **Halten Sie den Heckenschneider nur an den isolierten Griffflächen, wenn die Gefahr besteht, dass das Messer verborgene Kabel kontaktiert.** Bei Kontakt der Messer mit einem Strom führenden Kabel können die freiliegenden Metallteile der Heckenschere ebenfalls Strom führend werden, so dass der Benutzer einen elektrischen Schlag erleiden kann.
6. **Halten Sie alle Netzkabel und Kabel vom Schneidbereich fern.** Netzkabel oder Kabel können in Hecken oder Büschen verborgen sein und versehentlich durch das Messer abgeschnitten werden.
7. **Benutzen Sie die Heckenschere nicht bei schlechten Witterungsverhältnissen, besonders bei Blitzschlaggefahr.** Dadurch wird die Blitzschlaggefahr verringert.
8. **Um die Stromschlaggefahr zu verringern, benutzen Sie die Stabheckenschere niemals in der Nähe von Starkstromleitungen.** Bei Kontakt mit oder Benutzung in der Nähe von Starkstromleitungen besteht die Gefahr einer schweren Verletzung oder eines elektrischen Schlags, die zum Tod führen können.
9. **Halten Sie die Stabheckenschere während des Betriebs immer mit zwei Händen.** Halten Sie die Stabheckenschere mit beiden Händen, um Verlust der Kontrolle zu vermeiden.
10. **Tragen Sie stets einen Kopfschutz, wenn Sie die Stabheckenschere über Kopf betreiben.** Herunterfallende Fremdkörper können zu schweren Personenschäden führen.
4. **Schalten Sie das Werkzeug in einem Notfall sofort aus, und entfernen Sie den Akku.**
5. **GEFAHR - Halten Sie Ihre Hände vom Messer fern.** Kontakt mit dem Messer führt zu ernsthaften Personenschäden.
6. **Anfänger sollten sich von einem erfahrenen Benutzer im Gebrauch des Werkzeugs unterweisen lassen.**
7. **Untersuchen Sie den Arbeitsbereich vor Arbeitsbeginn auf Drahtzäune, Steine oder andere feste Objekte.** Diese können eine Beschädigung der Messer verursachen.
8. **Benutzen Sie die Heckenschere nur, wenn Sie sich in guter körperlicher Verfassung befinden.** Ermüdung führt zu verminderter Aufmerksamkeit. Besonders hohe Aufmerksamkeit ist am Ende eines Arbeitstages erforderlich. Führen Sie alle Arbeiten ruhig und sorgfältig durch. Der Benutzer ist für alle Schäden an Dritten verantwortlich.
9. **Bevor Sie mit der Arbeit beginnen, vergewissern Sie sich, dass die Schere in gutem und sicherem Arbeitszustand ist.** Vergewissern Sie sich, dass Schutzhauben ordnungsgemäß angebracht sind. Die Heckenschere darf nur in vollständig montiertem Zustand benutzt werden.
10. **Vermeiden Sie gefährliche Umgebungen.** Benutzen Sie das Werkzeug nicht an feuchten oder nassen Orten, und setzen Sie es auch keinem Regen aus. Wasser, das in das Werkzeug eindringt, erhöht die Stromschlaggefahr.

#### Personliche Schutzausrüstung

1. **Arbeitshandschuhe aus robustem Leder sind Teil der Grundausrüstung der Heckenschere und müssen bei der Arbeit immer getragen werden.** Tragen Sie auch robuste Schuhe mit rutschfesten Sohlen.
2. **Tragen Sie einen Gehörschutz, wie z. B. Ohrenschützer, um eine Gehörschädigung zu verhindern.**
3. **Tragen Sie eine Schutzbrille, einen Schutzhelm und Schutzhandschuhe, um sich vor zersplitterndem Unrat oder fallenden Gegenständen zu schützen.**
4. **Tragen Sie Schutzhandschuhe, wenn Sie die Messer berühren oder den Messerwinkel einstellen müssen.** Die Messer können schwere Verletzungen an bloßen Händen verursachen.

#### Betrieb

1. **Benutzen Sie stets beide Hände zum Betätigen des Werkzeugs.** Betrieb mit nur einer Hand könnte einen Verlust der Kontrolle verursachen und zu schweren Personenschäden führen.
2. **Vergewissern Sie sich während des Betriebs des Werkzeugs stets, dass die Betriebsposition sicher ist.** Strecken Sie sich mit dem Werkzeug, besonders auf einer Leiter, nicht zu weit vor, da dies äußerst gefährlich ist. Arbeiten Sie nicht auf einer wackligen oder instabilen Unterlage.
3. **Tragen Sie beim Arbeiten mit dem Werkzeug nicht mehrere Tragegurte und/oder Schultergurte gleichzeitig.**

## Zusätzliche Sicherheitsanweisungen

### Vorbereitung

1. **DIESE HECKENSCHERE KANN SCHWERE VERLETZUNGEN VERURSACHEN.** Lesen Sie die Anweisungen sorgfältig durch, um mehr über korrekte Handhabung, Vorbereitung, Wartung, Starten und Stoppen des Werkzeugs zu erfahren. Machen Sie sich mit allen Bedienelementen und dem korrekten Gebrauch des Werkzeugs vertraut.
2. **Überprüfen Sie die Hecken und Büsche auf Fremdkörper, wie z. B. Drahtzäune oder verborgene Kabel, bevor Sie das Werkzeug betreiben.**
3. **Die Heckenschere darf nicht von Kindern oder Jugendlichen unter 18 Jahren benutzt werden.** Jugendliche über 16 Jahre können von dieser Einschränkung ausgenommen werden, wenn sie eine Schulung unter der Aufsicht eines Fachmanns durchmachen.

4. Halten Sie Umstehende oder Tiere während der Arbeit mindestens 15 m vom Werkzeug entfernt. Halten Sie das Werkzeug an, sobald jemand sich nähert.
  5. Falls das Schneidwerkzeug auf ein Objekt trifft oder das Werkzeug ungewöhnliche Geräusche oder Vibrationen erzeugt, schalten Sie das Werkzeug sofort aus, nehmen Sie den Akku ab, und lassen Sie das Werkzeug zum Stillstand kommen. Gehen Sie dann folgendermaßen vor:
    - auf Beschädigung überprüfen
    - prüfen, ob lose Teile vorhanden sind, und diese festziehen
    - beschädigte Teile durch Original-Ersatzteile ersetzen oder reparieren lassen.
  6. Benutzen Sie das Werkzeug nur für seinen vorgesehenen Zweck. Benutzen Sie das Werkzeug nicht für andere Zwecke.
  7. Schalten Sie das Werkzeug aus, und nehmen Sie den Akku ab, bevor Sie:
    - das Werkzeug reinigen oder eine Blockierung beseitigen,
    - Überprüfungen, Wartungsarbeiten oder sonstige Arbeiten am Werkzeug ausführen,
    - die Arbeitsposition der Schermesser einstellen,
    - das Werkzeug unbeaufsichtigt lassen.
  8. Stellen Sie vor dem Starten des Werkzeugs sicher, dass sich das Werkzeug korrekt in einer bestimmten Arbeitsposition befindet.
  9. Betreiben Sie das Werkzeug nicht mit beschädigten oder übermäßig abgenutzten Schermessern.
  10. Beachten Sie stets Ihre Umgebung, und bleiben Sie wachsam für mögliche Gefahren, deren Sie sich aufgrund des Geräuschs des Werkzeugs möglicherweise nicht bewusst sind.
  11. Lassen Sie während des Betriebs Vorsicht walten, damit die Messer nicht versehentlich einen Metallzaun oder andere harte Gegenstände berühren. Anderenfalls können die Messer brechen und schwere Verletzungen verursachen.
  12. Vermeiden Sie unbeabsichtigtes Einschalten. Tragen Sie das Werkzeug nicht bei angebrachtem Akku und mit dem Finger am Schalter. Vergewissern Sie sich beim Anbringen des Akkus, dass der Schalter ausgeschaltet ist.
  13. Fassen Sie nicht die freiliegenden Schneidmesser oder die Schneidkanten an, wenn Sie das Werkzeug aufheben oder halten.
  14. Üben Sie keinen übermäßigen Druck auf das Werkzeug aus. Bei der Belastung, für die es ausgelegt wurde, verrichtet das Werkzeug die Arbeit besser und mit geringerer Wahrscheinlichkeit von Verletzungsgefahr.
  15. Benutzen Sie das Werkzeug nicht bei Regen oder unter nassen oder sehr feuchten Bedingungen. Der Elektromotor ist nicht wasserdicht.
  16. Halten Sie das Werkzeug während der Benutzung mit festem Griff.
  17. Lassen Sie das Werkzeug nicht unnötig im Leerlauf laufen.
  18. Schalten Sie stets das Werkzeug aus, und nehmen Sie den Akku ab, bevor Sie die Schermesser überprüfen, Fehler beheben oder zwischen den Schermessern eingeklemmte Fremdkörper entfernen.
  19. Richten Sie die Schermesser niemals auf sich selbst oder andere Personen.
  20. Falls die Messer stehen bleiben, weil sich Fremdkörper während des Betriebs zwischen den Messern verfangen haben, schalten Sie das Werkzeug aus, nehmen Sie den Akku ab, und beseitigen Sie dann die Fremdkörper mithilfe von Werkzeugen, wie z. B. einer Zange. Beseitigen der Fremdkörper von Hand kann zu einer Verletzung führen, da sich die Messer als Reaktion auf die Beseitigung der Fremdkörper bewegen können.
- Sicherheit der Elektrik und des Akkus**
1. Vermeiden Sie gefährliche Umgebungen. Benutzen Sie das Werkzeug nicht an feuchten oder nassen Orten, und setzen Sie es auch keinem Regen aus. Wasser, das in das Werkzeug eindringt, erhöht die Stromschlaggefahr.
  2. Werfen Sie den (die) Akku(s) nicht ins Feuer. Die Zelle könnte explodieren. Prüfen Sie die örtlichen Vorschriften für mögliche spezielle Entsorgungsanweisungen.
  3. Versuchen Sie nicht, den (die) Akku(s) zu öffnen oder zu verstümmeln. Freigesetzter Elektrolyt ist korrosiv und kann Schäden an Augen oder Haut verursachen. Falls er verschluckt wird, kann er giftig sein.
  4. Laden Sie den Akku nicht im Regen oder an nassen Orten.
  5. Laden Sie den Akku nicht im Freien.
  6. Fassen Sie das Ladegerät, einschließlich des Ladegerätesteckers und der Ladegeräteanschlüsse, nicht mit nassen Händen an.
- Wartung und Lagerung**
1. Wenn das Werkzeug für Wartung, Inspektion oder Lagerung gestoppt ist, schalten Sie das Werkzeug aus, nehmen Sie den Akku ab, und vergewissern Sie sich, dass alle beweglichen Teile zum Stillstand gekommen sind. Lassen Sie das Werkzeug abkühlen, bevor Sie Überprüfungen, Einstellungen usw. vornehmen.
  2. Lassen Sie das Werkzeug vor der Lagerung stets abkühlen.
  3. Wenn das Werkzeug nicht in Gebrauch ist, bringen Sie die Messerabdeckung am Werkzeug an, und lagern Sie das Werkzeug in einem Innenraum an einem trockenen und hohen verriegelten Ort außerhalb der Reichweite von Kindern.
  4. Halten Sie das Werkzeug sorgfältig instand. Halten Sie die Schneidkanten scharf und sauber für optimale Leistung, und um die Verletzungsgefahr zu verringern. Befolgen Sie die Anweisungen für die Schmierung und den Austausch von Zubehör. Halten Sie die Handgriffe trocken, sauber und frei von Öl und Fett.

5. Auf beschädigte Teile überprüfen. Bevor Sie das Werkzeug weiter benutzen, sollten Sie die beschädigten Teile sorgfältig auf ihre Betriebsfähigkeit und Funktionstüchtigkeit hin überprüfen. Überprüfen Sie das Werkzeug auf Ausrichtung und Klemmen beweglicher Teile, Bruchstellen, Befestigungszustand und sonstige Mängel von Teilen, die seinen Betrieb beeinträchtigen können. Beschädigte Schutzvorrichtungen oder Teile sollten von einem autorisierten Service-Center ordnungsgemäß repariert oder ausgewechselt werden.
6. Verwenden Sie nur Original-Ersatzteile.
7. Wenn Sie das Werkzeug zu einem anderen Ort transportieren, auch während der Arbeit, nehmen Sie immer den Akku ab, und setzen Sie die Messerabdeckung auf die Schermesser. Tragen oder transportieren Sie das Werkzeug niemals mit laufenden Messern. Ergreifen Sie die Messer niemals mit Ihren Händen.
8. Reinigen Sie das Werkzeug und insbesondere die Schermesser nach jedem Gebrauch und vor längerer Lagerung des Werkzeugs. Ölen Sie die Schermesser leicht ein, und bringen Sie die Messerabdeckung an.
9. Werfen Sie den (die) Akku(s) nicht ins Feuer. Die Zelle könnte explodieren. Prüfen Sie die örtlichen Vorschriften für mögliche spezielle Entsorgungsanweisungen.
10. Versuchen Sie nicht, den (die) Akku(s) zu öffnen oder zu verstümmeln. Freigesetzter Elektrolyt ist korrosiv und kann Schäden an Augen oder Haut verursachen. Falls er verschluckt wird, kann er giftig sein.
11. Laden Sie den Akku nicht im Regen oder an nassen Orten.
4. Falls Elektrolyt in Ihre Augen gelangt, waschen Sie sie mit sauberem Wasser aus, und begeben Sie sich unverzüglich in ärztliche Behandlung. Anderenfalls können Sie Ihre Sehkraft verlieren.
5. Der Akku darf nicht kurzgeschlossen werden:
  - (1) Die Kontakte dürfen nicht mit leitfähigem Material berührt werden.
  - (2) Lagern Sie den Akku nicht in einem Behälter zusammen mit anderen Metallgegenständen, wie z. B. Nägel, Münzen usw.
  - (3) Setzen Sie den Akku weder Wasser noch Regen aus.

Ein Kurzschluss des Akkus verursacht starken Stromfluss, der Überhitzung, mögliche Verbrennungen und einen Defekt zur Folge haben kann.
6. Lagern und benutzen Sie das Werkzeug und den Akku nicht an Orten, an denen die Temperatur 50 °C erreichen oder überschreiten kann.
7. Versuchen Sie niemals, den Akku zu verbrennen, selbst wenn er stark beschädigt oder vollkommen verbraucht ist. Der Akku kann im Feuer explodieren.
8. Unterlassen Sie Nageln, Schneiden, Zerquetschen, Werfen, Fallenlassen des Akkus oder Schlagen des Akkus mit einem harten Gegenstand. Eine solche Handlung kann zu einem Brand, übermäßiger Hitzeentwicklung oder einer Explosion führen.
9. Benutzen Sie keine beschädigten Akkus.
10. Die enthaltenen Lithium-Ionen-Akkus unterliegen den Anforderungen der Gefahrgutgesetzgebung. Für kommerzielle Transporte, z. B. durch Dritte oder Spediteure, müssen besondere Anforderungen zu Verpackung und Etikettierung beachtet werden.

Zur Vorbereitung des zu transportierenden Artikels ist eine Beratung durch einen Experten für Gefahrgut erforderlich. Bitte beachten Sie möglicherweise ausführlichere nationale Vorschriften. Überkleben oder verdecken Sie offene Kontakte, und verpacken Sie den Akku so, dass er sich in der Verpackung nicht umher bewegen kann.

## DIESE ANWEISUNGEN AUFBEWAHREN.

**⚠️ WARNUNG:** Lassen Sie sich NICHT durch Bequemlichkeit oder Vertrautheit mit dem Produkt (durch wiederholten Gebrauch erworben) von der strikten Einhaltung der Sicherheitsregeln für das vorliegende Produkt abhalten. MISSBRAUCH oder Missachtung der Sicherheitsvorschriften in dieser Anleitung können schwere Verletzungen verursachen.

## Wichtige Sicherheitsanweisungen für Akku

1. Lesen Sie vor der Benutzung des Akkus alle Anweisungen und Warnhinweise, die an (1) Ladegerät, (2) Akku und (3) Akkuwerkzeug angebracht sind.
2. Unterlassen Sie Zerlegen oder Manipulieren des Akkus. Es kann sonst zu einem Brand, übermäßiger Hitzeentwicklung oder einer Explosion kommen.
3. Falls die Betriebszeit beträchtlich kürzer geworden ist, stellen Sie den Betrieb sofort ein. Anderenfalls besteht die Gefahr von Überhitzung, möglichen Verbrennungen und sogar einer Explosion.
11. Entfernen Sie den Akku zum Entsorgen vom Werkzeug, und entsorgen Sie ihn an einem sicheren Ort. Befolgen Sie die örtlichen Vorschriften bezüglich der Entsorgung von Akkus.
12. Verwenden Sie die Akkus nur mit den von Makita angegebenen Produkten. Das Einsetzen der Akkus in nicht konforme Produkte kann zu einem Brand, übermäßiger Hitzeentwicklung, einer Explosion oder Auslaufen von Elektrolyt führen.
13. Soll das Werkzeug längere Zeit nicht benutzt werden, muss der Akku vom Werkzeug entfernt werden.
14. Bei und nach dem Gebrauch kann der Akku heiß werden, was Verbrennungen oder Niedertemperaturverbrennungen verursachen kann. Beachten Sie die Handhabung von heißen Akkus.

15. **Berühren Sie nicht den Anschlusskontakt des Werkzeugs unmittelbar nach dem Gebrauch, da er heiß genug werden kann, um Verbrennungen zu verursachen.**
16. **Achten Sie darauf, dass sich keine Späne, Staub oder Schmutz in den Anschlusskontakten, Löchern und Nuten des Akkus absetzen.** Dies kann zu einer LeistungseinbuÙe oder Betriebsstörung des Werkzeugs oder des Akkus führen.
17. **Wenn das Werkzeug den Einsatz in der Nähe einer Hochspannungs-Stromleitung nicht unterstützt, benutzen Sie den Akku nicht in der Nähe einer Hochspannungs-Stromleitung.** Dies kann zu einer Funktionsstörung oder Betriebsstörung des Werkzeugs oder des Akkus führen.
18. **Halten Sie die Batterie von Kindern fern.**

## **DIESE ANWEISUNGEN AUFBEWAHREN.**

**⚠VORSICHT:** Verwenden Sie nur Original-Makita-Akkus. Die Verwendung von Nicht-Original-Makita-Akkus oder von Akkus, die abgeändert worden sind, kann zum Bersten des Akkus und daraus resultierenden Bränden, Personenschäden und Beschädigung führen. Außerdem wird dadurch die Makita-Garantie für das Makita-Werkzeug und -Ladegerät ungültig.

## **Hinweise zur Aufrechterhaltung der maximalen Akku-Nutzungsdauer**

1. **Laden Sie den Akku, bevor er vollkommen erschöpft ist. Schalten Sie das Werkzeug stets aus, und laden Sie den Akku, wenn Sie ein Nachlassen der Werkzeugleistung feststellen.**
2. **Unterlassen Sie erneutes Laden eines voll aufgeladenen Akkus. Überladen führt zu einer Verkürzung der Nutzungsdauer des Akkus.**
3. **Laden Sie den Akku bei Raumtemperatur zwischen 10 – 40 °C. Lassen Sie einen heißen Akku abkühlen, bevor Sie ihn laden.**
4. **Wenn Sie den Akku nicht benutzen, nehmen Sie ihn vom Werkzeug oder Ladegerät ab.**

## **BEZEICHNUNG DER TEILE**

### ► Abb.1

1	Kopf	2	Winkeleinstellknopf	3	Sperrhebel	4	Rändelmutter
5	Vorderer Handgriff	6	Hinterer Handgriff	7	Akku	8	Ein-Aus-Schalter
9	Einschaltsperrknopf	10	Schermesser	-	-	-	-

## **FUNKTIONSBESCHREIBUNG**

**⚠VORSICHT:** Vergewissern Sie sich vor der Durchführung von Einstellungen oder Funktionsprüfungen des Werkzeugs stets, dass das Werkzeug ausgeschaltet und der Akku abgenommen ist.

### **Anbringen und Abnehmen des Akkus**

**⚠VORSICHT:** Schalten Sie das Werkzeug stets aus, bevor Sie den Akku anbringen oder abnehmen.

**⚠VORSICHT:** Halten Sie das Werkzeug und den Akku beim Anbringen oder Abnehmen des Akkus sicher fest. Wenn Sie das Werkzeug und den Akku nicht sicher festhalten, können sie Ihnen aus der Hand rutschen, was zu einer Beschädigung des Werkzeugs und des Akkus und zu Körperverletzungen führen kann.

### ► Abb.2: 1. Rote Anzeige 2. Knopf 3. Akku

Ziehen Sie den Akku zum Abnehmen vom Werkzeug ab, während Sie den Knopf an der Vorderseite des Akkus verschieben.

Richten Sie zum Anbringen des Akkus dessen Führungsfeder auf die Nut im Gehäuse aus, und schieben Sie den Akku hinein. Schieben Sie ihn vollständig ein, bis er mit einem leisen Klicken einrastet. Wenn Sie die rote Anzeige sehen können, wie in der Abbildung gezeigt, ist der Akku nicht vollständig verriegelt.

**⚠VORSICHT:** Schieben Sie den Akku stets bis zum Anschlag ein, bis die rote Anzeige nicht mehr sichtbar ist. Anderenfalls kann er aus dem Werkzeug herausfallen und Sie oder umstehende Personen verletzen.

**⚠VORSICHT:** Unterlassen Sie Gewaltanwendung beim Anbringen des Akkus. Falls der Akku nicht reibungslos hineingleitet, ist er nicht richtig ausgerichtet.




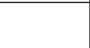






## Anzeigen der Akku-Restkapazität

### Nur für Akkus mit Anzeige

► **Abb.3:** 1. Anzeigelampen 2. Prüftaste

Drücken Sie die Prüftaste am Akku, um die Akku-Restkapazität anzuzeigen. Die Anzeigelampen leuchten wenige Sekunden lang auf.

Anzeigelampen		Restkapazität
Erleuchtet	Aus	
		75% bis 100%
		50% bis 75%
		25% bis 50%
		0% bis 25%

**HINWEIS:** Abhängig von den Benutzungsbedingungen und der Umgebungstemperatur kann die Anzeige geringfügig von der tatsächlichen Kapazität abweichen.

## Werkzeug/Akku-Schutzsystem

Die Maschine ist mit einem Akku-Schutzsystem ausgestattet. Dieses System schaltet die Stromversorgung des Motors automatisch ab, um die Akku-Nutzungsdauer zu verlängern.

Die Maschine bleibt während des Betriebs automatisch stehen, falls die Maschine und/oder der Akku einer der folgenden Bedingungen unterliegt:

### Überlastung:

Das Werkzeug wird auf eine Weise benutzt, die eine ungewöhnlich hohe Stromaufnahme bewirkt. Schalten Sie in dieser Situation das Werkzeug aus, und brechen Sie die Anwendung ab, die eine Überlastung des Werkzeugs verursacht hat. Schalten Sie dann das Werkzeug wieder ein, um neu zu starten.

Falls das Werkzeug nicht startet, ist der Akku überhitzt. Lassen Sie den Akku in dieser Situation abkühlen, bevor Sie das Werkzeug wieder einschalten.

### Niedrige Akkuspannung:

Die Akku-Restkapazität ist zu niedrig, und das Werkzeug funktioniert nicht. Wenn Sie das Werkzeug einschalten, läuft der Motor wieder an, bleibt aber bald darauf stehen. Nehmen Sie in dieser Situation den Akku ab, und laden Sie ihn auf.

## Schalterfunktion

**⚠️ WARNUNG:** Vergewissern Sie sich vor dem Einsetzen des Akkus in das Werkzeug stets, dass der Ein-Aus-Schalter ordnungsgemäß funktioniert und beim Loslassen in die AUS-Stellung zurückkehrt.

**⚠️ WARNUNG:** Aus Sicherheitsgründen ist dieses Werkzeug mit einem Einschaltsperrknopf ausgestattet, die versehentliches Starten des Werkzeugs verhindert. Betreiben Sie das Werkzeug niemals, wenn es durch bloße Betätigung des Auslöseschalters eingeschaltet werden kann, ohne den Einschaltsperrknopf zu drücken. Wenden Sie sich bezüglich einer Reparatur an Ihre örtliche Makita-Kundendienststelle.

**⚠️ WARNUNG:** Auf keinen Fall darf die Sperrfunktion deaktiviert oder der Einschaltsperrknopf mit Klebeband festgeklebt werden.

**ANMERKUNG:** Betätigen Sie den Auslöseschalter nicht gewaltsam, ohne den Einschaltsperrknopf zu drücken. Anderenfalls kann der Schalter beschädigt werden.

► **Abb.4:** 1. Einschaltsperrknopf 2. Ein-Aus-Schalter

Um versehentliche Betätigung des Auslöseschalters zu verhindern, ist das Werkzeug mit einem Einschaltsperrknopf ausgestattet.

Zum Starten des Werkzeugs drücken Sie erst den Einschaltsperrknopf und betätigen dann den Auslöseschalter. Zum Ausschalten lassen Sie den Auslöseschalter los. Der Einschaltsperrknopf kann entweder von rechts oder links gedrückt werden.

## Einstellen des Schnittwinkels

**⚠️ VORSICHT:** Vergewissern Sie sich vor dem Ein- oder Ausklappen des Kopfes stets, dass das Werkzeug ausgeschaltet ist.

**⚠️ VORSICHT:** Wenn Sie den Kopf zum Tragen oder nach dem Gebrauch des Werkzeugs einklappen, bringen Sie vorher unbedingt die Messerabdeckung an.

**⚠️ VORSICHT:** Achten Sie beim Einklappen des Kopfes darauf, dass Sie Ihre Finger nicht zwischen Kopf und Werkzeuggehäuse einklemmen.

Der Winkel des Kopfes kann in 10 Stufen eingestellt werden. Um den Winkel des Kopfes zu ändern, befolgen Sie die nachstehenden Schritte.

1. Halten Sie den Kopf und das Werkzeuggehäuse, wie in der Abbildung gezeigt.

► **Abb.5:** 1. Kopf 2. Winkeleinstellknopf

2. Stellen Sie den Winkel des Kopfes ein, während Sie den Winkeleinstellknopf niedergedrückt halten, und lassen Sie dann den Winkeleinstellknopf los.

3. Bewegen Sie den Kopf geringfügig, bis er mit einem Klicken einrastet.

**HINWEIS:** Vergewissern Sie sich, dass der Kopf sicher eingerastet ist, bevor Sie das Werkzeug betreiben.

## Einstellen der Rohrlänge

**⚠ VORSICHT:** Vergewissern Sie sich vor dem Einstellen der Rohrlänge stets, dass das Werkzeug ausgeschaltet ist.

**⚠ VORSICHT:** Bringen Sie vor dem Einstellen der Rohrlänge unbedingt die Messerabdeckung an.

**⚠ VORSICHT:** Achten Sie beim Einstellen der Rohrlänge darauf, dass Ihre Finger nicht eingeklemmt werden.

**⚠ VORSICHT:** Vergewissern Sie sich, dass der Sperrhebel einwandfrei verriegelt ist.

Lösen Sie den Sperrhebel, stellen Sie die Länge des Rohrs ein, und verriegeln Sie dann den Sperrhebel.

► **Abb.6:** 1. Sperrhebel

## Einstellen der Position des vorderen Handgriffs

**⚠ VORSICHT:** Vergewissern Sie sich vor dem Einstellen der Position des vorderen Handgriffs stets, dass das Werkzeug ausgeschaltet ist.

**⚠ VORSICHT:** Achten Sie beim Einstellen der Position des vorderen Handgriffs darauf, dass Ihre Finger nicht eingeklemmt werden.

**⚠ VORSICHT:** Vergewissern Sie sich, dass die Rändelmutter sicher angezogen ist.

**⚠ VORSICHT:** Verschieben Sie den vorderen Handgriff nicht über die Pfeilmarkierung hinaus.

Um die Position des vorderen Handgriffs einzustellen, lösen Sie die Rändelmutter durch Drehen entgegen dem Uhrzeigersinn, stellen Sie die Position des vorderen Handgriffs ein, und ziehen Sie dann die Rändelmutter durch Drehen im Uhrzeigersinn fest.

► **Abb.7:** 1. Rändelmutter 2. Pfeilmarkierung

## MONTAGE

**⚠ VORSICHT:** Vergewissern Sie sich vor der Ausführung von Arbeiten am Werkzeug stets, dass das Werkzeug ausgeschaltet und der Akku abgenommen ist.

**⚠ VORSICHT:** Tragen Sie beim Austauschen der Schermesser immer Handschuhe, damit Ihre Hände nicht in direkten Kontakt mit den Messern kommen.

## Montieren oder Demontieren der Schermesser

**⚠ VORSICHT:** Bringen Sie die Messerabdeckung an, bevor Sie die Schermesser demontieren oder montieren.

**ANMERKUNG:** Wischen Sie beim Auswechseln der Schermesser kein Schmierfett von Zahnrad und Kurbel ab.

**HINWEIS:** Bevor Sie die Schermesser montieren oder demontieren, klappen Sie den Kopf des Werkzeugs aus, so dass der Kopf gerade zum Werkzeuggehäuse ist.

1. Drehen Sie das Werkzeug um.
2. Entfernen Sie 4 Schrauben mit einem Schraubendreher, und entfernen Sie die Schermesser.  
► **Abb.8:** 1. Schraube

3. Entfernen Sie die Kurbel von den Schermessern.  
► **Abb.9:** 1. Kurbel

**HINWEIS:** Die Kurbel kann im Werkzeug verbleiben.

4. Halten Sie die Kurbel und neue Schermesser bereit.  
► **Abb.10:** 1. Kurbel 2. Schermesser
5. Entfernen Sie die Messerabdeckung, und befestigen Sie sie dann an den neuen Schermessern.
6. Tragen Sie ein wenig Schmierfett auf den Rand der Kurbel auf. Bringen Sie Unterlegscheibe, Zahnrad und Kurbel in dieser Reihenfolge am Zapfen an.  
► **Abb.11:** 1. Kurbel 2. Zahnrad 3. Unterlegscheibe 4. Zapfen
7. Stellen Sie die Kurbel so ein, dass die 2 kleinen Löcher in der Kurbel auf der Ausrichtlinie aufgereiht sind, wie in der Abbildung gezeigt.  
► **Abb.12:** 1. Ausrichtlinie 2. Kleines Loch
8. Verschieben Sie die Schermesser so, dass die Öffnung in der Führungsplatte in der Mitte der Ringe der Messer positioniert ist.  
► **Abb.13:** 1. Führungsplatte
9. Führen Sie die in Schritt 2 entfernte Schraube durch das Loch in der Messerabdeckung in die Öffnung der Schermesser ein.  
► **Abb.14:** 1. Loch
10. Befestigen Sie die Schermesser am Werkzeug, und ziehen Sie dann 3 Schrauben mit dem Schraubendreher an.  
► **Abb.15:** 1. Schraube
11. Entfernen Sie die Schraube, die Sie in Schritt 9 in die Öffnung der Schermesser eingeführt haben, und ziehen Sie dann die Schraube fest, um die Schermesser zu fixieren.

**ANMERKUNG:** Falls die Schermesser nicht ordnungsgemäß funktionieren, stehen die Messer nicht richtig mit der Kurbel in Eingriff. Entfernen Sie die Messer, und montieren Sie sie wieder.

**ANMERKUNG:** Falls andere Teile außer den Schermessern, wie z. B. die Kurbel, verschlissen sind, wenden Sie sich für einen Teileaustausch oder Reparaturen an ein autorisiertes Makita-Servicecenter.



## Montieren und Demontieren des Spänefängers

### Sonderzubehör

**⚠ VORSICHT:** Tragen Sie beim Montieren oder Demontieren des Spänefängers immer Handschuhe, damit Ihre Hände nicht in direkten Kontakt mit den Schermessern kommen.

**⚠ VORSICHT:** Bringen Sie die Messerabdeckung an, bevor Sie den Spänefänger montieren oder demontieren.

Der Spänefänger sammelt ausgeworfene Blätter auf und erleichtert die Reinigung nach der Arbeit erheblich. Er kann auf beiden Seiten des Werkzeugs angebracht werden.

1. Richten Sie die Löcher im Spänefänger auf die Muttern an den Schermessern aus.  
▶ **Abb.16:** 1. Mutter
2. Haken Sie die Klauen des Spänefängers in die Nut an den Schermessern ein.  
▶ **Abb.17:** 1. Klaue 2. Nut
3. Drücken Sie die Hebel am Spänefänger, und haken Sie dann die Klauen auf der anderen Seite in die Nut der Schermesser ein.  
▶ **Abb.18:** 1. Hebel

Zum Demontieren des Spänefängers drücken Sie die Hebel, um die Klauen zu lösen.

▶ **Abb.19:** 1. Hebel

**ANMERKUNG:** Versuchen Sie niemals, den Spänefänger gewaltsam zu entfernen, solange seine Klauen in den Nuten der Schermesser eingestekt sind.

## BETRIEB

### Betreiben des Werkzeugs

**⚠ WARNUNG:** Benutzen Sie das Werkzeug nicht in der Nähe von Starkstromleitungen. Bei Kontakt mit oder Benutzung in der Nähe von Starkstromleitungen besteht die Gefahr einer schweren Verletzung oder eines elektrischen Schlags, die zum Tod führen können.

**⚠ WARNUNG:** Halten Sie Ihre Hände von den Schermessern fern.

**⚠ WARNUNG:** Lassen Sie äußerste Sorgfalt walten, um immer die Kontrolle über das Werkzeug zu behalten. Achten Sie darauf, dass das Werkzeug nicht zu Ihnen oder einer anderen Person im Arbeitsbereich abgelenkt wird. Verlust der Kontrolle über das Werkzeug kann zu schweren Verletzungen von Umstehenden und Bediener führen.

**⚠ VORSICHT:** Vermeiden Sie den Betrieb des Werkzeugs bei sehr heißem Wetter so weit wie praktikabel. Nehmen Sie beim Betreiben des Werkzeugs Rücksicht auf Ihre körperliche Verfassung.

**⚠ VORSICHT:** Lassen Sie beim Trimmen Vorsicht walten, damit die Messer nicht versehentlich einen Metallzaun oder andere harte Gegenstände berühren. Anderenfalls können die Schermesser brechen und eine Verletzung verursachen.

**⚠ VORSICHT:** Achten Sie darauf, dass die Schermesser nicht den Boden berühren. Anderenfalls kann das Werkzeug zurückschnellen und eine Verletzung verursachen.

**⚠ VORSICHT:** Strecken Sie sich beim Schneiden mit einer Heckenschere, besonders auf einer Leiter, nicht zu weit nach vorn, da dies äußerst gefährlich ist. Schneiden Sie nicht, während Sie auf einer wackligen oder instabilen Unterlage stehen.

**ANMERKUNG:** Versuchen Sie nicht, Äste von mehr als 10 mm Durchmesser mit dem Werkzeug zu schneiden. Schneiden Sie Äste vor Gebrauch dieses Werkzeugs mit Astschneidern auf 10 cm unter der Schnitthöhe.

▶ **Abb.20:** (1) Schnitthöhe (2) 10 cm

**ANMERKUNG:** Schneiden Sie keine toten Bäume oder ähnliche harte Objekte um. Dadurch kann das Werkzeug beschädigt werden.

**ANMERKUNG:** Schneiden Sie kein Gras oder Unkraut, während Sie die Schermesser benutzen. Gras oder Unkraut können sich in den Schermessern verheddern.

Halten Sie das Werkzeug mit beiden Händen am vorderen und hinteren Handgriff fest.

▶ **Abb.21:** 1. Vorderer Handgriff 2. Hinterer Handgriff

Betätigen Sie den Auslöseschalter, während Sie den Einschaltsperrknopf drücken, und bewegen Sie dann das Werkzeug vorwärts.

▶ **Abb.22**

Bei grundlegendem Betrieb neigen Sie die Schermesser in die Schneidrichtung, und bewegen Sie das Werkzeug ruhig und langsam mit einer Vorschubrate von 3 bis 4 Sekunden pro Meter vor.

▶ **Abb.23**

Um eine gerade Seitenkante einer Hecke zu erhalten, schneiden Sie von unten nach oben.

▶ **Abb.24**

Wenn Sie eine runde Form schneiden wollen (Trimmen von Buchsbaum oder Rhododendron usw.), trimmen Sie von der Wurzel nach oben, um eine schöne Ausführung zu erhalten.

▶ **Abb.25**

Durch Anbringen des Spänefängers an den Schermessern werden ausgeworfene Blätter aufgesammelt, und die Reinigung nach der Arbeit wird erheblich erleichtert.

▶ **Abb.26**

# WARTUNG

**⚠ VORSICHT:** Vergewissern Sie sich vor der Durchführung von Inspektions- oder Wartungsarbeiten stets, dass das Werkzeug ausgeschaltet und der Akku abgenommen ist.

**⚠ VORSICHT:** Legen Sie das Werkzeug immer ab, um es zu überprüfen oder zu warten. Wird das Werkzeug in aufrechter Stellung zusammengebaut oder eingestellt, kann es zu schweren Verletzungen kommen.

Um die SICHERHEIT und ZUVERLÄSSIGKEIT dieses Produkts zu gewährleisten, sollten Reparaturen und andere Wartungs- oder Einstellarbeiten nur von Makita-Vertragswerkstätten oder Makita-Kundendienstzentren unter ausschließlicher Verwendung von Makita-Originalersatzteilen ausgeführt werden.

## Reinigen des Werkzeugs

Reinigen Sie das Werkzeug, indem Sie es mit einem trockenen oder einem in Seifenwasser getauchten und ausgewrungenen Tuch abwischen.

**ANMERKUNG:** Verwenden Sie auf keinen Fall Benzin, Waschbenzin, Verdünner, Alkohol oder dergleichen. Solche Mittel können Verfärbung, Verformung oder Rissbildung verursachen.

## Schermesserwartung

Tragen Sie vor dem Betrieb oder einmal pro Stunde während der Arbeit Öl von niedriger Viskosität (Maschinenöl oder Sprühschmieröl) auf die Schermesser auf.

► **Abb.27**

Entfernen Sie nach dem Betrieb Staub von beiden Seiten der Schermesser mit einer Drahtbürste, wischen Sie die Schermesser mit einem Tuch ab, und tragen Sie dann Öl von niedriger Viskosität (Maschinenöl oder Sprühschmieröl) auf die Schermesser auf.

► **Abb.28**

**ANMERKUNG:** Waschen Sie die Schermesser nicht in Wasser. Dadurch kann Rostbildung gefördert oder eine Beschädigung des Werkzeugs verursacht werden.

**ANMERKUNG:** Schmutz und Korrosion verursachen übermäßige Messerreibung und verkürzen die Betriebszeit pro Akkuladung.

## Lagerung

Bringen Sie die Messerabdeckung an den Schermessern an, damit die Messer nicht ungeschützt sind. Lagern Sie das Werkzeug außer Reichweite von Kindern. Lagern Sie das Werkzeug an einem Ort, der weder Feuchtigkeit noch Regen ausgesetzt ist.

# FEHLERSUCHE

Bevor Sie den Reparaturdienst anrufen, führen Sie zunächst Ihre eigene Inspektion durch. Falls Sie ein Problem finden, das nicht in der Anleitung erläutert wird, versuchen Sie nicht, das Werkzeug zu zerlegen. Wenden Sie sich stattdessen an autorisierte Makita-Kundendienstzentren, und achten Sie darauf, dass stets Makita-Ersatzteile für Reparaturen verwendet werden.

Zustand der Unregelmäßigkeit	Wahrscheinliche Ursache (Funktionsstörung)	Abhilfemaßnahme
Der Motor läuft nicht.	Der Akku ist nicht eingesetzt.	Den Akku einsetzen.
	Akkustörung (Unterspannung)	Den Akku aufladen. Falls Laden nichts nützt, den Akku austauschen.
	Das Antriebssystem funktioniert nicht korrekt.	Wenden Sie sich bezüglich einer Reparatur an Ihr autorisiertes Kundendienstzentrum.
Der Motor bleibt nach kurzer Zeit stehen.	Der Ladestand des Akkus ist niedrig.	Den Akku aufladen. Falls Laden nichts nützt, den Akku austauschen.
	Überhitzung.	Brechen Sie die Benutzung des Werkzeugs ab, um es abkühlen zu lassen.
Das Werkzeug erreicht die Maximaldrehzahl nicht.	Der Akku ist falsch eingesetzt.	Setzen Sie den Akku gemäß der Beschreibung in dieser Anleitung ein.
	Die Akkuleistung lässt nach.	Den Akku aufladen. Falls Laden nichts nützt, den Akku austauschen.
	Das Antriebssystem funktioniert nicht korrekt.	Wenden Sie sich bezüglich einer Reparatur an Ihr autorisiertes Kundendienstzentrum.
Die Schermesser bewegen sich nicht: ⇒ Die Maschine unverzüglich stoppen!	Ungeeigneter Winkel der Schermesser.	Vergewissern Sie sich, dass der Kopf ordnungsgemäß in dem betriebsfähigen Winkel fixiert ist.
	Fremdkörper sind zwischen den Schermessern eingeklemmt.	Schalten Sie das Werkzeug aus, nehmen Sie den Akku ab, und beseitigen Sie dann die Fremdkörper mithilfe von Werkzeugen, wie z. B. einer Zange.
	Das Antriebssystem funktioniert nicht korrekt.	Wenden Sie sich bezüglich einer Reparatur an Ihr autorisiertes Kundendienstzentrum.
Ungewöhnliche Vibration: ⇒ Die Maschine unverzüglich stoppen!	Die Schermesser sind beschädigt, verbogen oder abgenutzt.	Tauschen Sie die Schermesser aus.
	Das Antriebssystem funktioniert nicht korrekt.	Wenden Sie sich bezüglich einer Reparatur an Ihr autorisiertes Kundendienstzentrum.
Schermesser und Motor bleiben nicht stehen: ⇒ Den Akku unverzüglich entfernen!	Elektrische Funktionsstörung.	Entfernen Sie den Akku, und wenden Sie sich bezüglich einer Reparatur an Ihr autorisiertes Kundendienstzentrum.

## SONDERZUBEHÖR

**⚠ VORSICHT:** Die folgenden Zubehörteile oder Vorrichtungen werden für den Einsatz mit dem in dieser Anleitung beschriebenen Makita-Werkzeug empfohlen. Die Verwendung anderer Zubehörteile oder Vorrichtungen kann eine Verletzungsgefahr darstellen. Verwenden Sie Zubehörteile oder Vorrichtungen nur für ihren vorgesehenen Zweck.

Wenn Sie weitere Einzelheiten bezüglich dieser Zubehörteile benötigen, wenden Sie sich bitte an Ihre Makita-Kundendienststelle.

- Schermessereinheit
- Spänefänger
- Fetttube
- Original-Makita-Akku und -Ladegerät

**HINWEIS:** Manche Teile in der Liste können als Standardzubehör im Werkzeugsatz enthalten sein. Sie können von Land zu Land unterschiedlich sein.

## DATI TECNICI

Modello:	UN460WD
Lunghezza della lama	460 mm
Colpi al minuto	3.600 min <sup>-1</sup>
Angolo della lama da taglio	135° (60° verso l'alto, 75° verso il basso)
Lunghezza complessiva	1.889 - 2.511 mm
Tensione nominale	10,8 V - 12 V CC max
Peso netto	Da 2,8 a 3,0 kg

- A causa del nostro programma continuativo di ricerca e sviluppo, i dati tecnici sono soggetti a modifiche senza preavviso.
- I dati tecnici possono variare da nazione a nazione.
- Il peso può variare a seconda dell'accessorio o degli accessori, inclusa la cartuccia della batteria. La combinazione più leggera e quella più pesante, secondo la procedura EPTA 01/2014, sono indicate nella tabella.

## Cartuccia della batteria e caricabatterie applicabili





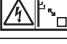

Cartuccia della batteria	BL1016 / BL1021B / BL1041B
Caricabatterie	DC10SA / DC10SB / DC10WC / DC10WD / DC18RE

- Alcune cartucce delle batterie e alcuni caricabatterie elencati sopra potrebbero non essere disponibili a seconda della propria area geografica di residenza.

**AVVERTIMENTO:** Utilizzare solo le cartucce delle batterie e i caricabatterie elencati sopra. L'utilizzo di altre cartucce delle batterie e di altri caricabatterie potrebbe causare lesioni personali e/o un incendio.

## Simboli

Le figure seguenti mostrano i simboli utilizzati per l'apparecchio. accertarsi di comprenderne il significato prima dell'uso.

	Leggere il manuale d'uso.
	Non esporre all'umidità.
	Indossare un elmetto, occhiali protettivi e protezioni acustiche.
	PERICOLO: tenere le mani lontane dalla lama.
	Fare attenzione alle linee elettriche, rischio di scosse elettriche.
	Mantenere una distanza di almeno 15 m.



Solo per le nazioni dell'EU  
A causa della presenza di componenti pericolosi nelle apparecchiature, i rifiuti di apparecchiature elettriche ed elettroniche, accumulatori e batterie potrebbero produrre un impatto negativo sull'ambiente e sulla salute umana.

Non smaltire elettrodomestici elettrici ed elettronici o batterie insieme ai rifiuti domestici!

In conformità alla direttiva europea sui rifiuti di apparecchiature elettriche ed elettroniche (RAEE), sugli accumulatori e le batterie, nonché sui rifiuti di accumulatori e batterie, e al suo adattamento alle normative nazionali, i rifiuti di apparecchiature elettriche ed elettroniche, batterie e accumulatori vanno conservati separatamente e conferiti a un punto di raccolta separato per i rifiuti comunali, operando in conformità alle normative per la protezione dell'ambiente.

Tale requisito viene indicato mediante il simbolo del bidone della spazzatura con ruote barrato apposto sull'apparecchio.



Livello di potenza sonora garantita in base alla Direttiva rumore macchine all'aperto UE.



Livello di potenza sonora in base alla normativa sul controllo del rumore NSW australiana

## Utilizzo previsto

L'utensile è destinato alla rifilatura delle siepi.

## Rumore

Livello tipico di rumore pesato A determinato in base allo standard EN62841-4-2:

Livello di pressione sonora ( $L_{pA}$ ): 74 dB (A)

Incertezza (K): 3 dB (A)

Il livello del rumore nelle condizioni di lavoro può superare gli 80 dB (A).

**NOTA:** Il valore o i valori dichiarati delle emissioni di rumori sono stati misurati in conformità a un metodo standard di verifica, e possono essere utilizzati per confrontare un utensile con un altro.

**NOTA:** Il valore o i valori dichiarati delle emissioni di rumori possono venire utilizzati anche per una valutazione preliminare dell'esposizione.

**AVVERTIMENTO:** Indossare protezioni per le orecchie.

**AVVERTIMENTO:** L'emissione di rumori durante l'utilizzo effettivo dell'utensile elettrico può variare rispetto al valore o ai valori dichiarati, a seconda dei modi in cui viene utilizzato l'utensile e specialmente a seconda di che tipo di pezzo venga lavorato.

**AVVERTIMENTO:** Accertarsi di identificare misure di sicurezza per la protezione dell'operatore che siano basate su una stima dell'esposizione nelle condizioni effettive di utilizzo (tenendo conto di tutte le parti del ciclo operativo, ad esempio del numero di spegnimenti dell'utensile e di quando giri a vuoto, oltre al tempo di attivazione).

## Vibrazioni

Standard applicabile : EN62841-4-2

Mano sinistra (impugnatura anteriore)		Mano destra (impugnatura posteriore)	
$a_h$ ( $m/s^2$ )	Incertezza K ( $m/s^2$ )	$a_h$ ( $m/s^2$ )	Incertezza K ( $m/s^2$ )
2,5 $m/s^2$ o inferiore	1,5	2,5 $m/s^2$ o inferiore	1,5

**NOTA:** Il valore o i valori complessivi delle vibrazioni dichiarati sono stati misurati in conformità a un metodo standard di verifica, e possono essere utilizzati per confrontare un utensile con un altro.

**NOTA:** Il valore o i valori complessivi delle vibrazioni dichiarati possono venire utilizzati anche per una valutazione preliminare dell'esposizione.

**AVVERTIMENTO:** L'emissione delle vibrazioni durante l'utilizzo effettivo dell'utensile elettrico può variare rispetto al valore o ai valori dichiarati, a seconda dei modi in cui viene utilizzato l'utensile, specialmente a seconda di che tipo di pezzo venga lavorato.

**AVVERTIMENTO:** Accertarsi di identificare misure di sicurezza per la protezione dell'operatore che siano basate su una stima dell'esposizione nelle condizioni effettive di utilizzo (tenendo conto di tutte le parti del ciclo operativo, ad esempio del numero di spegnimenti dell'utensile e di quando giri a vuoto, oltre al tempo di attivazione).

## Dichiarazione di conformità CE

*Solo per i paesi europei*

La dichiarazione di conformità CE è inclusa nell'Allegato A al presente manuale di istruzioni.

## AVVERTENZE DI SICUREZZA

### Avvertenze generali relative alla sicurezza dell'utensile elettrico

**AVVERTIMENTO:** Leggere tutte le avvertenze di sicurezza, le istruzioni, le illustrazioni e i dati tecnici forniti con il presente utensile elettrico. La mancata osservanza di tutte le istruzioni elencate di seguito potrebbe risultare in scosse elettriche, incendi e/o gravi lesioni personali.

## Conservare tutte le avvertenze e le istruzioni come riferimento futuro.

Il termine "utensile elettrico" nelle avvertenze si riferisce sia all'utensile elettrico (cablato) nel funzionamento alimentato da rete elettrica che all'utensile elettrico (a batteria) nel funzionamento alimentato a batteria.

### Avvertenze di sicurezza relative al tagliasiepi telescopico a batteria

1. **Tenere tutte le parti del corpo lontane dalla lama. Non rimuovere il materiale tagliato né tenere in mano il materiale da tagliare quando le lame sono in movimento.** Le lame continuano a muoversi dopo la disattivazione dell'interruttore. Un momento di disattenzione durante il funzionamento del tagliasiepi potrebbe risultare in gravi lesioni personali.
2. **Trasportare il tagliasiepi tenendolo per la maniglia, con la lama arrestata, e fare attenzione a non attivare alcun interruttore di accensione.** Il trasporto corretto del tagliasiepi riduce il rischio di avvii accidentali e delle relative lesioni personali causate dalle lame.

3. **Quando si intende trasportare o riporre il tagliasiepi, applicare sempre il coprilama.** Se si maneggia correttamente il tagliasiepi, si riduce il rischio di lesioni personali causate dalle lame.
4. **Quando si intende rimuovere materiale inceppato o sottoporre ad assistenza l'unità, accertarsi che tutti gli interruttori di accensione siano disattivati e che la cartuccia della batteria sia stata rimossa o scollegata.** L'azionamento imprevisto del tagliasiepi mentre si rimuove materiale inceppato o si esegue un intervento di assistenza potrebbe risultare in gravi lesioni personali.
5. **Mantenere il tagliasiepi solo mediante le superfici di impugnatura isolate, poiché la lama potrebbe entrare in contatto con cablaggi nascosti.** Qualora le lame entrino in contatto con un filo elettrico sotto tensione, potrebbero mettere sotto tensione le parti metalliche esposte del tagliasiepi e dare una scossa elettrica all'operatore.
6. **Tenere tutti i cavi elettrici e di altro genere lontani dall'area di taglio.** Cavi elettrici o di altro genere potrebbero essere nascosti nelle siepi o nei cespugli, e possono venire tagliati accidentalmente dalla lama.
7. **Non utilizzare il tagliasiepi in condizioni meteorologiche avverse, specialmente quando sussiste il rischio di fulmini.** In tal modo si riduce il rischio di venire colpiti da un fulmine.
8. **Per ridurre il rischio di folgorazione, non utilizzare mai il tagliasiepi telescopico in prossimità di linee elettriche di qualsiasi tipo.** Il contatto con linee elettriche o l'utilizzo in prossimità di queste ultime potrebbe causare gravi lesioni personali o scosse elettriche che potrebbero portare alla morte.
9. **Utilizzare sempre due mani quando si fa funzionare il tagliasiepi telescopico.** Mantenere il tagliasiepi telescopico con entrambe le mani, per evitare la perdita di controllo.
10. **Utilizzare sempre una protezione per la testa, quando si intende utilizzare il tagliasiepi telescopico al di sopra della propria testa.** I detriti che cadono potrebbero causare gravi lesioni personali.
4. **In caso di emergenza, spegnere l'utensile e rimuovere la cartuccia della batteria immediatamente.**
5. **PERICOLO - Tenere le mani lontane dalla lama.** Il contatto con la lama causa gravi lesioni personali.
6. **Chi utilizza il prodotto per la prima volta dovrebbe farsi mostrare da un utente esperto come utilizzare l'utensile.**
7. **Prima dell'uso, esaminare l'eventuale presenza nell'area di lavoro di recinzioni metalliche, pietre o altri oggetti solidi.** Tali oggetti possono danneggiare le lame.
8. **Utilizzare il tagliasiepi solo se si è in buone condizioni fisiche.** In condizioni di stanchezza, il livello di attenzione si riduce. Fare particolarmente attenzione alla fine di una giornata di lavoro. Effettuare tutti i lavori con calma e con attenzione. L'utente è responsabile per qualsiasi danno arrecato a terzi.
9. **Prima di iniziare il lavoro, accertarsi che il tagliasiepi sia in condizioni operative ottimali e sicure. Accertarsi che le protezioni siano applicate correttamente.** Il tagliasiepi non va utilizzato se non è stato montato completamente.
10. **Evitare gli ambienti pericolosi. Non utilizzare l'utensile in luoghi umidi o bagnati né esporlo alla pioggia.** La penetrazione di acqua nell'utensile incrementa il rischio di scosse elettriche.

#### Attrezzatura di protezione personale

1. **I guanti da lavoro in pelle robusta fanno parte dell'equipaggiamento di base del tagliasiepi, e devono essere sempre indossati quando si lavora con quest'ultimo.** Indossare anche scarpe robuste con soles antiscivolo.
2. **Indossare protezioni per l'udito, ad esempio cuffie antirumore, per evitare perdite dell'udito.**
3. **Indossare occhiali protettivi, un casco di sicurezza e guanti protettivi per proteggersi da detriti volanti oppure oggetti che cadano.**
4. **Quando si intende toccare le lame o regolarne l'angolazione, indossare guanti protettivi.** Le lame possono tagliare gravemente le mani nude.

#### Funzionamento

1. **Utilizzare sempre due mani per far funzionare l'utensile.** L'utilizzo di una sola mano potrebbe causare la perdita di controllo e risultare in gravi lesioni personali.
2. **Prima di utilizzare l'utensile, accertarsi sempre che la posizione di utilizzo sia sicura e salda. È estremamente pericoloso sporgersi con l'utensile, specialmente da una scala a pioli. Non lavorare da alcuna superficie traballante o malferma.**
3. **Non indossare contemporaneamente più imbracature e/o tracolle quando si utilizza l'utensile.**
4. **Durante l'uso, tenere astanti o animali a una distanza di almeno 15 m dall'utensile. Arrestare l'utensile non appena si avvicina qualcuno.**

## Istruzioni di sicurezza aggiuntive

### Preparazione

1. **QUESTO TAGLIASIEPI PUÒ CAUSARE GRAVI LESIONI PERSONALI.** Leggere con attenzione le istruzioni per maneggiare, preparare, sottoporre a manutenzione, avviare e arrestare correttamente l'utensile. Familiarizzare con tutti i controlli e con l'utilizzo corretto dell'utensile.
2. **Prima di utilizzare l'utensile, verificare l'eventuale presenza di corpi estranei nelle siepi e nei cespugli, ad esempio recinzioni in fil di ferro o cablaggi nascosti.**
3. **Il tagliasiepi non deve essere utilizzato da bambini o giovani al di sotto dei 18 anni di età.** I giovani di età superiore ai 16 anni possono venire esentati da questa restrizione se stanno seguendo un addestramento sotto la supervisione di un esperto.

5. Qualora l'utensile da taglio colpisca un qualsiasi oggetto oppure l'utensile inizi a produrre rumori o vibrazioni insoliti, spegnere l'utensile e rimuovere la cartuccia della batteria immediatamente, e lasciar arrestare l'utensile. Quindi, attenersi alla procedura seguente:
  - ispezionarlo alla ricerca di eventuali danni
  - controllare e serrare eventuali parti allentate
  - far sostituire o riparare eventuali parti danneggiate con pezzi di ricambio originali.
6. Utilizzare l'utensile esclusivamente allo scopo a cui è destinato. Non utilizzare l'utensile per altri scopi di alcun genere.
7. Spegner l'utensile e rimuovere la cartuccia della batteria prima di:
  - eseguire la pulizia o rimuovere un'ostruzione,
  - controllare l'utensile, eseguirne la manutenzione o lavorare sull'utensile,
  - regolare la posizione di lavoro delle lame a cesoie,
  - lasciare l'utensile incustodito.
8. Prima di avviare l'utensile, accertarsi che quest'ultimo sia situato correttamente in una posizione di lavoro designata.
9. Non utilizzare l'utensile con lame a cesoie danneggiate o eccessivamente usurate.
10. Fare sempre attenzione all'ambiente circostante, e restare vigili per eventuali pericoli di cui si potrebbe non essere consapevoli, a causa del rumore prodotto dall'utensile.
11. Fare attenzione a non entrare in contatto accidentalmente con una recinzione in metallo o con altri oggetti duri durante l'uso. In caso contrario, le lame si romperebbero e potrebbero causare gravi lesioni personali.
12. Evitare l'avvio accidentale. Non trasportare l'utensile quando la cartuccia della batteria è installata e con il dito appoggiato sull'interruttore. Quando si intende installare la cartuccia della batteria, accertarsi che l'interruttore sia disattivato.
13. Non afferrare le lame da taglio né i taglienti esposti, quando si intende sollevare o mantenere l'utensile.
14. Non forzare l'utensile. L'utensile consente di svolgere il lavoro in modo migliore e con una minore probabilità del rischio di lesioni personali, se si mantiene la velocità per la quale è stato progettato.
15. Non utilizzare l'utensile sotto la pioggia o in condizioni di bagnato o di estrema umidità. Il motore elettrico non è impermeabile.
16. Mantenere saldamente l'utensile quando lo si utilizza.
17. Non far funzionare l'utensile a vuoto inutilmente.
18. Prima di controllare le lame a cesoie, occuparsi di guasti o rimuovere corpi estranei incastrati nelle lame a cesoie, spegnere sempre l'utensile e rimuovere la cartuccia della batteria.
19. Non puntare mai le lame a cesoie verso se stessi o altri.
20. Qualora le lame smettano di muoversi a causa di corpi estranei incastrati tra le lame durante l'uso, spegnere l'utensile e rimuovere la cartuccia della batteria, quindi rimuovere i corpi estranei utilizzando degli utensili, ad esempio delle pinze. La rimozione dei corpi estranei con le mani potrebbe causare lesioni personali, in quanto le lame potrebbero muoversi in risposta alla rimozione dei corpi estranei.

#### Sicurezza elettrica e della batteria

1. Evitare gli ambienti pericolosi. Non utilizzare l'utensile in luoghi umidi o bagnati né esporlo alla pioggia. La penetrazione di acqua nell'utensile incrementa il rischio di scosse elettriche.
2. Non smaltire le batterie nel fuoco. La cella potrebbe esplodere. Controllare le normative locali per eventuali istruzioni speciali relative allo smaltimento.
3. Non aprire né fare a pezzi le batterie. L'elettrolita rilasciato è corrosivo, e potrebbe causare danni agli occhi o alla pelle. Inoltre, potrebbe essere tossico, se inghiottito.
4. Non caricare la batteria sotto la pioggia o in condizioni di bagnato.
5. Non caricare la batteria all'aperto.
6. Non maneggiare con le mani bagnate il caricabatterie, inclusa la spina del caricabatterie e i terminali di quest'ultimo.

#### Manutenzione e conservazione

1. Quando l'utensile viene arrestato per sottoporlo a manutenzione, ispezione o per conservarlo, spegnere l'utensile e rimuovere la cartuccia della batteria, quindi accertarsi che tutte le parti mobili si siano arrestate. Lasciar sempre raffreddare l'utensile prima di effettuare qualsiasi ispezione, regolazione, e così via.
2. Lasciare sempre raffreddare l'utensile prima di riporlo.
3. Quando l'utensile non è in uso, applicare il coprilama sull'utensile e conservarlo al chiuso in un luogo asciutto ed elevato che sia chiuso a chiave, fuori dalla portata dei bambini.
4. Sottoporre a manutenzione l'utensile con cura. Mantenere i taglienti affilati e puliti per prestazioni ottimali e per ridurre il rischio di lesioni personali. Per lubrificare e sostituire gli accessori, attenersi alle istruzioni. Mantenere le impugnature asciutte, pulite e prive di olio e grasso.
5. Controllare l'eventuale presenza di parti danneggiate. Prima di utilizzare ulteriormente l'utensile, controllare con cura qualsiasi parte che sia danneggiata, per accertarsi che funzioni correttamente e che svolga la funzione a cui è destinata. Controllare l'allineamento delle parti mobili e l'eventuale inceppamento di queste ultime, l'eventuale rottura di parti, attacchi di montaggio e qualsiasi altra condizione che potrebbe influenzare il funzionamento dell'utensile. Una protezione o un altro componente danneggiato vanno riparati in modo adeguato o sostituiti dal proprio centro di assistenza autorizzato.



6. Utilizzare sempre esclusivamente pezzi di ricambio originali.
7. Quando si intende spostare l'utensile in un'altra ubicazione, anche durante il lavoro, rimuovere sempre la cartuccia della batteria e applicare il coprilama sulle lame a cesoie. Non portare né trasportare mai l'utensile con le lame in funzione. Non afferrare mai le lame con le mani.
8. Pulire l'utensile e particolarmente le lame a cesoie dopo l'uso, e prima di riporre l'utensile per periodi di tempo prolungati. Oliare leggermente le lame a cesoie e applicare il coprilama.
9. Non smaltire le batterie nel fuoco. La cella potrebbe esplodere. Controllare le normative locali per eventuali istruzioni speciali relative allo smaltimento.
10. Non aprire né fare a pezzi le batterie. L'elettrolita rilasciato è corrosivo, e potrebbe causare danni agli occhi o alla pelle. Inoltre, potrebbe essere tossico, se inghiottito.
11. Non caricare la batteria sotto la pioggia o in condizioni di bagnato.

## CONSERVARE LE PRESENTI ISTRUZIONI.

**⚠AVVERTIMENTO:** NON lasciare che la comodità o la familiarità d'uso con il prodotto (acquisita con l'uso ripetuto) sostituiscano la stretta osservanza delle norme di sicurezza. L'USO IMPROPRIO o la mancata osservanza delle norme di sicurezza riportate nel presente manuale manuale di istruzioni potrebbero causare lesioni personali gravi.

### Istruzioni di sicurezza importanti per la cartuccia della batteria

1. Prima di utilizzare la cartuccia della batteria, leggere tutte le istruzioni e le avvertenze riportate (1) sul caricabatteria, (2) sulla batteria e (3) sul prodotto che utilizza la batteria.
2. Non smantellare né manomettere la cartuccia della batteria. In caso contrario, si potrebbe causare un incendio, calore eccessivo o un'esplosione.
3. Qualora il tempo di utilizzo si riduca eccessivamente, interrompere immediatamente l'utilizzo dell'utensile. In caso contrario, si può incorrere nel rischio di surriscaldamento, possibili ustioni e persino un'esplosione.
4. Qualora l'elettrolita entri in contatto con gli occhi, sciacquarli con acqua pulita e richiedere immediatamente assistenza medica. Questa eventualità può risultare nella perdita della vista.
5. Non cortocircuitare la cartuccia della batteria:
  - (1) Non toccare i terminali con alcun materiale conduttivo.
  - (2) Evitare di conservare la cartuccia della batteria in un contenitore insieme ad altri oggetti metallici quali chiodi, monete, e così via.
  - (3) Non esporre la cartuccia della batteria all'acqua o alla pioggia.

Un cortocircuito della batteria può causare un grande flusso di corrente, un surriscaldamento, possibili ustioni e persino un guasto.

6. Non conservare e utilizzare l'utensile e la cartuccia della batteria in ubicazioni in cui la temperatura possa raggiungere o superare i 50°C.
7. Non incenerire la cartuccia della batteria anche qualora sia gravemente danneggiata o completamente esaurita. La cartuccia della batteria può esplodere se a contatto con il fuoco.
8. Non inchiodare, tagliare, schiacciare, lanciare o far cadere la cartuccia della batteria, né farla urtare con forza contro un oggetto duro. Questi comportamenti potrebbero risultare in un incendio, calore eccessivo o un'esplosione.
9. Non utilizzare una batteria danneggiata.
10. Le batterie a ioni di litio contenute sono soggette ai requisiti del regolamento sul trasporto di merci pericolose (Dangerous Goods Legislation).  
Per trasporti commerciali, ad esempio da parte di terzi o spedizionieri, è necessario osservare dei requisiti speciali sull'imballaggio e sull'etichetta. Per la preparazione dell'articolo da spedire, è richiesta la consulenza di un esperto in materiali pericolosi. Attenersi anche alle normative nazionali, che potrebbero essere più dettagliate. Nasstrare o coprire i contatti aperti e imballare la batteria in modo tale che non si possa muovere liberamente all'interno dell'imballaggio.
11. Quando si intende smaltire la cartuccia della batteria, rimuoverla dall'utensile e smaltirla in un luogo sicuro. Attenersi alle normative locali relative allo smaltimento della batteria.
12. Utilizzare le batterie esclusivamente con i prodotti specificati da Makita. L'installazione delle batterie in prodotti non compatibili potrebbe risultare in incendi, calore eccessivo, esplosioni o perdite di liquido elettrolitico.
13. Se l'utensile non viene utilizzato per un periodo di tempo prolungato, la batteria deve essere rimossa dall'utensile.
14. Durante e dopo l'uso, la cartuccia della batteria potrebbe assorbire calore, che può causare ustioni o ustioni a bassa temperatura. Fare attenzione a come si maneggiano le cartucce delle batterie estremamente calde.
15. Non toccare i terminali dell'utensile subito dopo l'uso, in quanto potrebbero diventare estremamente caldi al punto da causare ustioni.
16. Evitare di far incastrare schegge, polveri o terreno nei terminali, nei fori e nelle scanalature della cartuccia della batteria. In caso contrario, si potrebbero causare prestazioni scadenti o la rottura dell'utensile o della cartuccia della batteria.
17. A meno che l'utensile supporti l'uso in prossimità di linee elettriche ad alta tensione, non utilizzare la cartuccia della batteria in prossimità di linee elettriche ad alta tensione. In caso contrario, si potrebbe causare un malfunzionamento o la rottura dell'utensile o della cartuccia della batteria.
18. Tenere la batteria lontana dai bambini.

## CONSERVARE LE PRESENTI ISTRUZIONI.



**⚠ATTENZIONE:** Utilizzare solo batterie originali Makita. L'utilizzo di batterie Makita non originali, o di batterie che siano state alterate, potrebbe risultare nello scoppio della batteria, causando incendi, lesioni personali e danni. Inoltre, ciò potrebbe invalidare la garanzia Makita per l'utensile e il caricabatterie Makita.

## Suggerimenti per preservare la durata massima della batteria

1. Caricare la cartuccia della batteria prima che si scarichi completamente. Smettere sempre di utilizzare l'utensile e caricare la cartuccia della batteria quando si nota che la potenza dell'utensile è diminuita.
2. Non ricaricare mai una cartuccia della batteria completamente carica. La sovraccarica riduce la vita utile della batteria.
3. Caricare la cartuccia della batteria a una temperatura ambiente compresa tra 10 °C e 40 °C. Lasciar raffreddare una cartuccia della batteria prima di caricarla.
4. Quando non si utilizza la cartuccia della batteria, rimuoverla dall'utensile o dal caricabatterie.

## DESCRIZIONE DELLE PARTI

► Fig.1

1	Testina	2	Pulsante di regolazione dell'angolazione	3	Leva di blocco	4	Dado a manopola
5	Impugnatura anteriore	6	Impugnatura posteriore	7	Cartuccia della batteria	8	Interruttore a grilletto
9	Pulsante di sblocco	10	Lame a cesoie	-	-	-	-

## DESCRIZIONE DELLE FUNZIONI

**⚠ATTENZIONE:** Accertarsi sempre che l'utensile sia spento e che la cartuccia della batteria sia stata rimossa prima di regolare o di controllare il funzionamento dell'utensile.

### Installazione o rimozione della cartuccia della batteria

**⚠ATTENZIONE:** Spegnerne sempre l'utensile prima di installare o rimuovere la cartuccia della batteria.

**⚠ATTENZIONE:** Mantenere saldamente lo strumento e la batteria quando si intende installare o rimuovere la cartuccia della batteria. Qualora non si mantengano saldamente lo strumento e la cartuccia della batteria, questi ultimi potrebbero scivolare dalle mani, con la possibilità di causare un danneggiamento dello strumento e della cartuccia della batteria, nonché una lesione personale.

► Fig.2: 1. Indicatore rosso 2. Pulsante 3. Cartuccia della batteria

Per rimuovere la cartuccia della batteria, farla scorrere via dall'utensile mentre si fa scorrere allo stesso tempo il pulsante sulla parte anteriore della cartuccia.

Per installare la cartuccia della batteria, allineare la linguetta sulla cartuccia della batteria con la scanalatura nell'alloggiamento e farla scivolare in sede. Inserirla completamente fino al suo blocco in sede con un leggero scatto. Se è possibile vedere l'indicatore rosso, come indicato nella figura, non è bloccata completamente.

**⚠ATTENZIONE:** Installare sempre fino in fondo la cartuccia della batteria, fino a quando l'indicatore rosso non è più visibile. In caso contrario, la batteria potrebbe cadere accidentalmente dall'utensile, causando lesioni personali all'operatore o a chi gli è vicino.

**⚠ATTENZIONE:** Non installare forzatamente la cartuccia della batteria. Qualora la batteria non si inserisca scorrendo agevolmente, vuol dire che non viene inserita correttamente.

### Indicazione della carica residua della batteria

*Solo per cartucce delle batterie dotate di indicatore*

► Fig.3: 1. Indicatori luminosi 2. Pulsante di controllo

Premere il pulsante di controllo sulla cartuccia della batteria per indicare la carica residua della batteria. Gli indicatori luminosi si illuminano per alcuni secondi.

Indicatori luminosi		Carica residua
■ Illuminato	□ Spento	
■ ■ ■ ■		Dal 75% al 100%
■ ■ ■ □		Dal 50% al 75%
■ ■ □ □		Dal 25% al 50%
■ □ □ □		Dallo 0% al 25%

**NOTA:** A seconda delle condizioni d'uso e della temperatura ambiente, l'indicazione potrebbe variare leggermente rispetto alla carica effettiva.

## Sistema di protezione strumento/batteria

La macchina è dotata di un sistema di protezione della batteria. Questo sistema interrompe automaticamente l'alimentazione al motore per prolungare la vita utile della batteria.

La macchina si arresta automaticamente durante il funzionamento, qualora la macchina e/o la batteria vengano a trovarsi in una delle condizioni seguenti:

### Sovraccarico:

L'utensile viene utilizzato in modo tale da causare un assorbimento di corrente elevato in modo anomalo da parte dell'utensile stesso. In questa circostanza, spegnere l'utensile e interrompere l'applicazione che ha causato il sovraccarico dell'utensile. Quindi, accendere l'utensile per ricominciare.

Qualora l'utensile non si avvii, la batteria è surriscaldata. In questa situazione, lasciar raffreddare la batteria prima di riaccendere l'utensile.

### Bassa tensione della batteria:

La carica residua della batteria è troppo bassa e l'utensile non funziona. Se si accende l'utensile, il motore gira di nuovo, ma si arresta poco dopo. In questa situazione, rimuovere e ricaricare la batteria.

## Funzionamento dell'interruttore

**AVVERTIMENTO:** Prima di inserire la cartuccia della batteria nell'utensile, controllare sempre che l'interruttore a grilletto funzioni correttamente e torni sulla posizione "OFF" quando viene rilasciato.

**AVVERTIMENTO:** Per la propria sicurezza, questo utensile è dotato di un pulsante di sblocco che evita avvii accidentali dell'utensile. Non utilizzare mai l'utensile qualora si avvii quando si preme l'interruttore a grilletto senza premere il pulsante di sblocco. Richiedere la riparazione a un centro di assistenza Makita locale.

**AVVERTIMENTO:** Non disabilitare mai la funzione di blocco del pulsante di sblocco, né fissarlo con nastro adesivo.

**AVVISO:** Non premere l'interruttore a grilletto con forza senza premere il pulsante di sblocco. L'interruttore si potrebbe rompere.

► Fig.4: 1. Pulsante di sblocco 2. Interruttore a grilletto

Per evitare di premere accidentalmente l'interruttore a grilletto, è fornito un pulsante di sblocco.

Per avviare l'utensile, premere il pulsante di sblocco, quindi premere l'interruttore a grilletto. Per arrestarlo, rilasciare l'interruttore a grilletto. È possibile premere il pulsante di sblocco dal lato destro o dal lato sinistro.

## Regolazione dell'angolo di taglio

**ATTENZIONE:** Accertarsi sempre che l'utensile sia spento, prima di ripiegare o distendere la testina.

**ATTENZIONE:** Quando si intende ripiegare la testina per il trasporto dell'utensile, oppure dopo l'utilizzo di quest'ultimo, accertarsi di applicare il coprilama, prima di ripiegare la testina.

**ATTENZIONE:** Quando si intende ripiegare la testina, fare attenzione a non far restare incastrate le dita tra la testina e il corpo dell'utensile.

È possibile regolare l'angolazione della testina su 10 livelli. Per modificare l'angolazione della testina, attenersi alla procedura seguente.

1. Mantenere la testina e il corpo dell'utensile come indicato nella figura.

► Fig.5: 1. Testina 2. Pulsante di regolazione dell'angolazione

2. Regolare l'angolazione della testina mentre si tiene premuto il pulsante di regolazione dell'angolazione, quindi rilasciare quest'ultimo.

3. Spostare leggermente la testina fino a quando si blocca con uno scatto.

**NOTA:** Prima di utilizzare l'utensile, accertarsi che la testina sia bloccata saldamente.

## Regolazione della lunghezza del tubo

**ATTENZIONE:** Accertarsi sempre che l'utensile sia spento, prima di regolare la lunghezza del tubo.

**ATTENZIONE:** Quando si intende regolare la lunghezza del tubo, accertarsi di montare il coprilama prima di regolare la lunghezza del tubo.

**ATTENZIONE:** Fare attenzione a non far restare incastrate le dita quando si intende regolare la lunghezza del tubo.

**ATTENZIONE:** Accertarsi che la leva di blocco sia fissata saldamente.

Allentare la leva di blocco, regolare la lunghezza del tubo, quindi bloccare la leva di blocco.

► Fig.6: 1. Leva di blocco

## Regolazione della posizione dell'impugnatura anteriore

**ATTENZIONE:** Accertarsi sempre che l'utensile sia spento, prima di regolare la posizione dell'impugnatura anteriore.

**ATTENZIONE:** Fare attenzione a non far restare incastrate le dita quando si intende regolare la posizione dell'impugnatura anteriore.

**ATTENZIONE:** Accertarsi che il dado a manopola sia serrato saldamente.

**ATTENZIONE:** Non spostare l'impugnatura anteriore oltre il simbolo della freccia.

Per regolare la posizione dell'impugnatura anteriore, allentare il dado a manopola ruotandolo in senso antiorario, regolare la posizione dell'impugnatura anteriore, quindi serrare il dado a manopola ruotandolo in senso orario.

► **Fig.7:** 1. Dado a manopola 2. Simbolo della freccia

## MONTAGGIO

**⚠ATTENZIONE:** Accertarsi sempre che l'utensile sia spento e che la cartuccia della batteria sia stata rimossa, prima di effettuare qualsiasi intervento sull'utensile.

**⚠ATTENZIONE:** Quando si intende sostituire le lame a cesoie, indossare sempre i guanti, affinché le mani non entrino in contatto direttamente con le lame.

### Installazione o rimozione delle lame a cesoie

**⚠ATTENZIONE:** Applicare il coprilama prima di rimuovere o installare le lame a cesoie.

**AVVISO:** Quando si sostituiscono le lame a cesoie, non rimuovere il grasso dall'ingranaggio e dalla manovella.

**NOTA:** Prima di installare o rimuovere le lame a cesoie, distendere la testina dell'utensile, in modo che quest'ultima sia dritta rispetto al corpo dell'utensile.

1. Appoggiare l'utensile capovolto.
2. Rimuovere le 4 viti con un cacciavite e rimuovere le lame a cesoie.  
► **Fig.8:** 1. Vite
3. Rimuovere la manovella dalle lame a cesoie.  
► **Fig.9:** 1. Manovella

**NOTA:** La manovella può restare nell'utensile.

4. Preparare la manovella e le nuove lame a cesoie.  
► **Fig.10:** 1. Manovella 2. Lame a cesoie
5. Rimuovere il coprilama, quindi applicarlo sulle nuove lame a cesoie.
6. Applicare una piccola quantità di grasso sulla parte periferica della manovella. Montare la rondella, l'ingranaggio e la manovella sul perno, nell'ordine.  
► **Fig.11:** 1. Manovella 2. Ingranaggio 3. Rondella 4. Perno
7. Regolare la manovella in modo che i 2 piccoli fori sulla manovella siano allineati sulla linea di allineamento, come indicato nella figura.  
► **Fig.12:** 1. Linea di allineamento 2. Piccolo foro
8. Far scivolare le lame a cesoie in modo che il foro sulla piastra guida sia posizionato al centro degli anelli delle lame.  
► **Fig.13:** 1. Piastra guida

9. Inserire la vite rimossa al punto 2 nel foro sulle lame a cesoie attraverso il foro sul coprilama.

► **Fig.14:** 1. Foro

10. Montare le lame a cesoie sull'utensile, quindi serrare 3 viti con il cacciavite.

► **Fig.15:** 1. Vite

11. Rimuovere la vite inserita nel foro sulle lame a cesoie al punto 9, quindi serrarla per fissare le lame a cesoie.

**AVVISO:** Qualora le lame a cesoie non funzionino correttamente, le lame non sono innestate correttamente nella manovella. Rimuovere le lame e reinstallarle.

**AVVISO:** Qualora parti diverse dalle lame a cesoie, ad esempio la manovella, siano usurate, rivolgersi a centri di assistenza autorizzati Makita per i pezzi di ricambio o le riparazioni.

### Installazione o rimozione del raccoglitore di residui

#### Accessorio opzionale

**⚠ATTENZIONE:** Quando si intende installare o rimuovere il raccoglitore di residui, indossare sempre i guanti, affinché le mani non entrino in contatto direttamente con le lame a cesoie.

**⚠ATTENZIONE:** Montare il coprilama prima di installare o rimuovere il raccoglitore di residui.

Il raccoglitore di residui raccoglie le foglie scartate e facilita notevolmente la pulizia in seguito. Può venire installato su entrambi i lati dell'utensile.

1. Allineare i fori sul raccoglitore di residui con i dadi sulle lame a cesoie.  
► **Fig.16:** 1. Dado
2. Agganciare i ganci del raccoglitore di residui alla scanalatura sulle lame a cesoie.  
► **Fig.17:** 1. Gancio 2. Scanalatura
3. Premere le leve sul raccoglitore di residui, quindi agganciare i ganci sull'altro lato alla scanalatura sulle lame a cesoie.  
► **Fig.18:** 1. Leva

Per rimuovere il raccoglitore di residui, premere le leve per sbloccare i ganci.

► **Fig.19:** 1. Leva

**AVVISO:** Non tentare mai di rimuovere il raccoglitore di residui applicando forza eccessiva con i suoi ganci bloccati nelle scanalature delle lame a cesoie.

# FUNZIONAMENTO

## Utilizzo dell'utensile

**⚠AVVERTIMENTO:** Non utilizzare l'utensile in prossimità di linee elettriche di alcun tipo. Il contatto con linee elettriche o l'utilizzo dell'utensile in prossimità di queste ultime potrebbe causare gravi lesioni personali o scosse elettriche che potrebbero portare alla morte.

**⚠AVVERTIMENTO:** Tenere le mani lontane dalle lame a cesoie.

**⚠AVVERTIMENTO:** Mantenere il controllo dell'utensile in qualsiasi momento con la massima attenzione. Non consentire la deviazione dell'utensile verso se stessi o chiunque altro in prossimità dell'area di lavoro. La mancata capacità di mantenere il controllo dell'utensile potrebbe risultare in gravi lesioni personali agli astanti e all'operatore.

**⚠ATTENZIONE:** Evitare l'utilizzo dell'utensile in condizioni atmosferiche estremamente calde, per quanto possibile. Quando si utilizza l'utensile, fare attenzione alle proprie condizioni fisiche.

**⚠ATTENZIONE:** Fare attenzione a non entrare in contatto accidentalmente con una recinzione in metallo o con altri oggetti duri durante la rifilatura. In caso contrario, le lame a cesoie potrebbero rompersi e causare lesioni personali.

**⚠ATTENZIONE:** Fare attenzione a evitare che le lame a cesoie entrino in contatto con il terreno. In caso contrario, l'utensile potrebbe subire un contraccolpo e causare lesioni personali.

**⚠ATTENZIONE:** Sporgersi con un taglia siepi, specialmente da una scala a pioli, è estremamente pericoloso. Non lavorare in piedi su alcuna superficie traballante o malferma.

**AVVISO:** Non tentare di tagliare rami di spessore superiore ai 10 mm di diametro con l'utensile.

Tagliare i rami a un'altezza di 10 cm inferiore a quella di taglio utilizzando dei troncareami, prima di utilizzare l'utensile.

► Fig.20: (1) Altezza di taglio (2) 10 cm

**AVVISO:** Non tagliare alberi morti oppure oggetti duri simili. In caso contrario, si potrebbe danneggiare l'utensile.

**AVVISO:** Non rifilare l'erba o le erbacce mentre si utilizzano le lame a cesoie. Le lame a cesoie potrebbero restare incagliate nell'erba o nelle erbacce.

Mantenere l'utensile con entrambe le mani, afferrando l'impugnatura anteriore e quella posteriore.

► Fig.21: 1. Impugnatura anteriore 2. Impugnatura posteriore

Premere l'interruttore a grilletto mentre si tiene premuto il pulsante di sblocco, quindi spostare l'utensile in avanti.

► Fig.22

Per il funzionamento di base, inclinare le lame a cesoie verso la direzione di rifilatura e spostarle con calma e lentamente a una velocità compresa tra 3 e 4 secondi per metro.

► Fig.23

Per tagliare il lato di una siepe in modo omogeneo, eseguire il taglio dal basso verso l'alto.

► Fig.24

Quando si rifila per creare una forma tondeggiante (rifilatura di bosso e rododendro, e così via), rifilare partendo dalle radici verso l'alto per ottenere una bellissima finitura.

► Fig.25

Se si monta il raccoglitore di residui sulle lame a cesoie, l'accessorio raccoglie le foglie scartate e facilita notevolmente la pulizia in seguito.

► Fig.26

# MANUTENZIONE

**⚠ATTENZIONE:** Accertarsi sempre che l'utensile sia spento e che la cartuccia della batteria sia stata rimossa prima di tentare di eseguire interventi di ispezione o manutenzione.

**⚠ATTENZIONE:** Quando si intende ispezionare o sottoporre a manutenzione l'utensile, appoggiarlo sempre a terra. L'assemblaggio o la regolazione dell'utensile in posizione verticale potrebbero risultare in gravi lesioni personali.

Per preservare la SICUREZZA e l'AFFIDABILITÀ del prodotto, le riparazioni e qualsiasi altro intervento di manutenzione e di regolazione devono essere eseguiti da un centro di assistenza autorizzato Makita, utilizzando sempre ricambi Makita.

## Pulizia dell'utensile

Pulire l'utensile rimuovendo le polveri con un panno asciutto o con uno bagnato in acqua saponata e strizzato.

**AVVISO:** Non utilizzare mai benzina, benzene, solventi, alcol o altre sostanze simili. In caso contrario, si potrebbero causare scolorimenti, deformazioni o crepe.

## Manutenzione delle lame a cesoie

Prima del funzionamento, oppure una volta per ogni ora di utilizzo, applicare olio a bassa viscosità (olio per macchine, oppure olio lubrificante di tipo spray) sulle lame a cesoie.

► Fig.27

Dopo l'uso, asportare la polvere da entrambi i lati delle lame a cesoie con una spazzola metallica, pulire la polvere passando un panno, quindi applicare olio a bassa viscosità (olio per macchine, oppure olio lubrificante di tipo spray) sulle lame a cesoie.

► Fig.28

**AVVISO: Non lavare le lame a cesoie in acqua.** In caso contrario, si potrebbe causare la formazione di ruggine o danneggiare l'utensile.

**AVVISO: Lo sporco e la corrosione causano un'eccessiva frizione delle lame e riducono la durata di esercizio per ciascuna carica della batteria.**

## Conservazione

Applicare il coprilama sulle lame a cesoie in modo che le lame non siano esposte. Conservare l'utensile fuori dalla portata dei bambini. Riporre l'utensile in un'ubicazione non esposta all'umidità o alla pioggia.

## RISOLUZIONE DEI PROBLEMI

Prima di richiedere riparazioni, eseguire un'ispezione personalmente. Qualora si rilevi un problema che non è illustrato nel manuale, non tentare di smontare l'utensile. Rivolgersi, invece, a un centro di assistenza autorizzato Makita, utilizzando sempre pezzi di ricambio Makita per le riparazioni.

Stato di anomalia	Causa probabile (guasto)	Azione correttiva
Il motore non funziona.	La cartuccia della batteria non è installata.	Installare la cartuccia della batteria.
	Problema della batteria (sotto tensione)	Ricaricare la batteria. Qualora la ricarica non sia efficace, sostituire la batteria.
	Il sistema di trasmissione non funziona correttamente.	Richiedere la riparazione a un centro di assistenza autorizzato locale.
Il motore si arresta dopo un breve utilizzo.	Il livello di carica della batteria è basso.	Ricaricare la batteria. Qualora la ricarica non sia efficace, sostituire la batteria.
	Surriscaldamento.	Interrompere l'utilizzo dell'utensile per consentirgli di raffreddarsi.
L'utensile non raggiunge il numero massimo di giri al minuto.	La batteria non è installata correttamente.	Installare la cartuccia della batteria come descritto nel presente manuale.
	La carica della batteria si sta esaurendo.	Ricaricare la batteria. Qualora la ricarica non abbia effetto, sostituire la batteria.
	Il sistema di trasmissione non funziona correttamente.	Richiedere la riparazione a un centro di assistenza autorizzato locale.
Le lame a cesoie non si muovono: ⇒ arrestare immediatamente la macchina!	Angolazione inappropriata delle lame a cesoie.	Accertarsi che la testina sia fissata saldamente sull'angolazione operativa.
	Dei corpi estranei sono inceppati tra le lame a cesoie.	Spegnere l'utensile e rimuovere la cartuccia della batteria, quindi rimuovere i corpi estranei utilizzando degli utensili, ad esempio delle pinze.
	Il sistema di trasmissione non funziona correttamente.	Richiedere la riparazione a un centro di assistenza autorizzato locale.
Vibrazione anomala: ⇒ arrestare immediatamente la macchina!	Le lame a cesoie sono rotte, piegate o usurate.	Sostituire le lame a cesoie.
	Il sistema di trasmissione non funziona correttamente.	Richiedere la riparazione a un centro di assistenza autorizzato locale.
Non si riesce ad arrestare le lame a cesoie e il motore: ⇒ rimuovere immediatamente la batteria!	Malfunzionamento elettrico.	Rimuovere la batteria e richiedere la riparazione a un centro di assistenza autorizzato locale.

## ACCESSORI OPZIONALI

**⚠ATTENZIONE:** Questi accessori o componenti aggiuntivi sono consigliati per l'uso con l'utensile Makita specificato nel presente manuale. L'impiego di altri accessori o componenti aggiuntivi può costituire un rischio di lesioni alle persone. Utilizzare gli accessori o i componenti aggiuntivi solo per il loro scopo prefissato.

- Lama completa
- Raccogliitore di residui
- Contenitore del grasso
- Batteria e caricabatterie originali Makita

**NOTA:** Alcuni articoli nell'elenco potrebbero essere inclusi nell'imballaggio dell'utensile come accessori standard. Tali articoli potrebbero variare da nazione a nazione.

Per ottenere ulteriori dettagli relativamente a questi accessori, rivolgersi a un centro di assistenza Makita.

## TECHNISCHE GEGEVENS

Model:	UN460WD
Lengte messenblad	460 mm
Bewegingen per minuut	3.600 min <sup>-1</sup>
Hoek van messenblad	135° (omhoog 60°, omlaag 75°)
Totale lengte	1.889 - 2.511 mm
Nominale spanning	Max. 10,8 V - 12 V gelijkspanning
Nettogewicht	2,8 - 3,0 kg

- In verband met ononderbroken research en ontwikkeling, behouden wij ons het recht voor de bovenstaande technische gegevens zonder voorafgaande kennisgeving te wijzigen.
- De technische gegevens kunnen van land tot land verschillen.
- Het gewicht kan verschillen afhankelijk van de hulpstukken, waaronder de accu. De lichtste en zwaarste combinatie, overeenkomstig de EPTA-procedure 01/2014, worden getoond in de tabel.

### Toepasselijke accu's en laders







Accu	BL1016 / BL1021B / BL1041B
Lader	DC10SA / DC10SB / DC10WC / DC10WD / DC18RE

- Sommige van de hierboven vermelde accu's en laders zijn mogelijk niet leverbaar afhankelijk van waar u woont.

**⚠ WAARSCHUWING:** Gebruik uitsluitend de accu's en laders die hierboven worden genoemd. Gebruik van enige andere accu of lader kan leiden tot letsel en/of brand.

### Symbolen

Hieronder staan de symbolen die voor het gereedschap kunnen worden gebruikt. Zorg ervoor dat u de betekenis ervan kent voordat u het gereedschap gaat gebruiken.

	Lees de gebruiksaanwijzing.
	Stel niet bloot aan vocht.
	Draag een veiligheidshelm, veiligheidsbril en gehoorbescherming.
	GEVAAR - Houd handen uit de buurt van het snijmateriaal.
	Let goed op elektriciteitskabels: gevaar van elektrische schok.
	Houd minstens 15 meter afstand.



Aleen voor EU-landen  
Als gevolg van de aanwezigheid van schadelijke componenten in het apparaat, kunnen oude elektrische en elektronische apparaten, accu's en batterijen negatieve gevolgen hebben voor het milieu en de gezondheid van mensen.

Gooi elektrische en elektronische apparaten en accu's niet met het huisvuil weg!  
In overeenstemming met de Europese richtlijn inzake oude elektrische en elektronische apparaten en inzake accu's en batterijen en oude accu's en batterijen, alsmede de toepassing daarvan binnen de nationale wetgeving, dienen oude elektrische apparaten, accu's en batterijen gescheiden te worden opgeslagen en te worden ingeleverd bij een apart inzamelingspunt voor huishoudelijk afval dat de milieubeschermingsvoorschriften in acht neemt.

Dit wordt op het apparaat aangegeven door het symbool van een doorgekruste afvalcontainer.



Gegarandeerd geluidsvermogeniveau conform EU-richtlijn inzake geluidsemisatie buitenhuis.



Geluidsvermogeniveau conform de Regelgeving Geluidsregeling van NSW, Australië

### Gebruiksdoeleinden

Het gereedschap is bedoeld om heggen te snoeien.

## Geluidsniveau

De typische, A-gewogen geluidsniveaus zijn gemeten volgens EN62841-4-2:

Geluidsdruk niveau ( $L_{p(A)}$ ): 74 dB (A)

Onzekerheid (K): 3 dB (A)

Het geluidsniveau kan tijdens gebruik hoger worden dan 80 dB (A).

**OPMERKING:** De opgegeven geluidsemissiewaarde(n) is/zijn gemeten volgens een standaardtestmethode en kan/kunnen worden gebruikt om dit gereedschap te vergelijken met andere gereedschappen.

**OPMERKING:** De opgegeven geluidsemissiewaarde(n) kan/kunnen ook worden gebruikt voor een beoordeling vooraf van de blootstelling.

**⚠️ WAARSCHUWING:** Draag gehoorbescherming.

**⚠️ WAARSCHUWING:** De geluidsemissie tijdens het gebruik van het elektrisch gereedschap in de praktijk kan verschillen van de opgegeven waarde(n) afhankelijk van de manier waarop het gereedschap wordt gebruikt, met name van het soort werkstuk waarmee wordt gewerkt.

**⚠️ WAARSCHUWING:** Zorg ervoor dat veiligheidsmaatregelen worden getroffen ter bescherming van de gebruiker die zijn gebaseerd op een schatting van de blootstelling onder praktijkomstandigheden (rekening houdend met alle fasen van de bedrijfscyclus, zoals de tijdsduur gedurende welke het gereedschap is uitgeschakeld en stationair draait, naast de ingeschakelde tijdsduur).

## Trilling

Toepasselijke norm : EN62841-4-2

Linkerhand (voorhandgreep)		Rechterhand (achterhandgreep)	
$a_h$ ( $m/s^2$ )	Onzekerheid K ( $m/s^2$ )	$a_h$ ( $m/s^2$ )	Onzekerheid K ( $m/s^2$ )
2,5 $m/s^2$ of lager	1,5	2,5 $m/s^2$ of lager	1,5

**OPMERKING:** De totale trillingswaarde(n) is/zijn gemeten volgens een standaardtestmethode en kan/kunnen worden gebruikt om dit gereedschap te vergelijken met andere gereedschappen.

**OPMERKING:** De opgegeven totale trillingswaarde(n) kan/kunnen ook worden gebruikt voor een beoordeling vooraf van de blootstelling.

**⚠️ WAARSCHUWING:** De trillingsemissie tijdens het gebruik van het elektrisch gereedschap in de praktijk kan verschillen van de opgegeven waarde(n) afhankelijk van de manier waarop het gereedschap wordt gebruikt, met name van het soort werkstuk waarmee wordt gewerkt.

**⚠️ WAARSCHUWING:** Zorg ervoor dat veiligheidsmaatregelen worden getroffen ter bescherming van de gebruiker die zijn gebaseerd op een schatting van de blootstelling onder praktijkomstandigheden (rekening houdend met alle fasen van de bedrijfscyclus, zoals de tijdsduur gedurende welke het gereedschap is uitgeschakeld en stationair draait, naast de ingeschakelde tijdsduur).

## EG-verklaring van conformiteit

*Alleen voor Europese landen*

De EG-verklaring van conformiteit is bijgevoegd als Bijlage A bij deze gebruiksaanwijzing.

## VEILIGHEIDSWAARSCHUWINGEN

### Algemene veiligheidswaarschuwingen voor elektrisch gereedschap

**⚠️ WAARSCHUWING:** Lees alle veiligheids- waarschuwingen, aanwijzingen, afbeeldingen en technische gegevens behorend bij dit elektrische gereedschap aandachtig door. Als u niet alle onderstaande aanwijzingen naleeft, kan dat resulteren in brand, elektrische schokken en/of ernstig letsel.

### Bewaar alle waarschuwingen en instructies om in de toekomst te kunnen raadplegen.

De term "elektrisch gereedschap" in de veiligheidsvoor- schriften duidt op gereedschappen die op stroom van het lichtnet werken (met snoer) of gereedschappen met een accu (snoerloos).

### Veiligheidswaarschuwingen voor een accustokheggen-schaar

1. **Houd alle lichaamsdelen uit de buurt van het blad. Verwijder geen snoeiafval en houd geen materiaal om te snoeien vast terwijl de mes- senbladen bewegen.** De bladen blijven bewegen nadat de schakelaar is uitgezet. Een ogenblik van onoplettendheid kan tijdens het gebruik van de heggenschaar leiden tot ernstig persoonlijk letsel.
2. **Draag de heggenschaar aan de handgreep terwijl het blad stilstaat en let erop geen enkele aan-uitschakelaar te bedienen.** Als de heggenschaar op de juiste manier wordt gedragen, is de kans op per ongeluk starten en het daaruit voortvloeiende persoonlijk letsel door de bladen kleiner.



3. **Bij het transporteren of opbergen van de heggenschaar, brengt u altijd de schede aan.** Als de heggenschaar op de juiste manier wordt gehanteerd, is de kans op persoonlijk letsel door de bladen kleiner.
4. **Bij het verwijderen van vastgeklemd materiaal of het onderhouden van het gereedschap, verzekert u zich ervan dat alle aan-uitschakelaars uit staan en de accu is verwijderd of losgekoppeld.** Onverwachte inschakeling van de heggenschaar tijdens het verwijderen van vastgeklemd materiaal of onderhoud kan leiden tot ernstig persoonlijk letsel.
5. **Houd de heggenschaar alleen vast bij het geïsoleerde oppervlak omdat de bladen met verborgen bedrading in aanraking kunnen komen.** Wanneer de bladen in aanraking komen met onder spanning staande draden, zullen de niet-geïsoleerde metalen delen van de heggenschaar onder spanning komen te staan zodat de gebruiker een elektrische schok kan krijgen.
6. **Houd alle elektriciteitsnoeren en -kabels uit de buurt van het snoei gebied.** Elektriciteitsnoeren en -kabels kunnen verborgen zitten in heggen of struiken, en kunnen per ongeluk worden doorgesneden door het blad.
7. **Gebruik de heggenschaar niet onder slechte weersomstandigheden, met name wanneer de kans op bliksem bestaat.** Dit verkleint het risico om te worden getroffen door de bliksem.
8. **Om de kans op elektrocutie te verkleinen, gebruikt u de stokheggenschaar nooit in de buurt van elektriciteitsdraden.** Aanraking van of gebruik in de buurt van elektriciteitsdraden kan leiden tot ernstig letsel of een elektrische schok die leidt tot de dood.
9. **Gebruik altijd twee handen om de stokheggenschaar te bedienen.** Houd de stokheggenschaar met beide handen vast om te voorkomen dat u de controle erover verliest.
10. **Gebruik altijd hoofdbescherming wanneer u de stokheggenschaar boven uw hoofd bedient.** Vallend afval kan ernstig persoonlijk letsel veroorzaken.
5. **GEVAAR - Houd uw handen uit de buurt van de messenbladen.** Aanraking van de messenbladen kan leiden tot ernstig persoonlijk letsel.
6. **Beginnende gebruikers dienen door een ervaren gebruiker te worden voorgedaan hoe het gereedschap moet worden gebruikt.**
7. **Onderzoek het werkgebied op draadafrasteringen, stenen en andere massieve voorwerpen voordat u met de werkzaamheden begint.** Zij kunnen de bladen beschadigen.
8. **Gebruik de heggenschaar alleen als u in goede lichamelijke conditie bent.** Als u vermoeid bent, kunt u zich minder goed concentreren. Wees met name voorzichtig aan het einde van de werkdag. Werk altijd rustig en voorzichtig. De gebruiker is aansprakelijk voor alle schade toegebracht aan derden.
9. **Alvorens met de werkzaamheden te beginnen, moet u controleren of de heggenschaar in goede en veilige staat verkeert.** Controleer dat de beschermkappen stevig gemonteerd zijn. De heggenschaar mag niet worden gebruikt voordat deze geheel compleet en afgemonteerd is.
10. **Vermijd gevaarlijke omgevingen.** Gebruik het gereedschap niet op vochtige of natte plaatsen en stel het niet bloot aan regen. Als water binnendringt in het gereedschap, wordt de kans op een elektrische schok groter.

#### Persoonlijke-veiligheidsmiddelen

1. Werkhandschoenen van stevig leer maken deel uit van de standaard werkuitrusting van de heggenschaar en moeten tijdens het werken ermee altijd worden gedragen. Draag tevens stevige schoenen met antislip zolen.
2. Draag gehoorbescherming, zoals oorkappen, om gehoorschade te voorkomen.
3. Draag een veiligheidsbril, veiligheidshelm en veiligheidshandschoenen om uzelf te beschermen tegen rondvliegend afval en vallende voorwerpen.
4. Wanneer u de bladen aanraakt of de hoek van de bladen verandert, moet u veiligheidshandschoenen dragen. De bladen kunnen flinke snijwonden veroorzaken in blote handen.

#### Bediening

1. **Gebruik altijd twee handen om het gereedschap te bedienen.** Als u één hand gebruikt, kunt u de controle over het gereedschap verliezen waardoor ernstig persoonlijk letsel kan worden veroorzaakt.
2. **Verzekeer u bij bediening van het gereedschap er altijd van dat de bedieningspositie veilig en stabiel is.** Het is bijzonder gevaarlijk met het gereedschap te ver te reiken, met name op een ladder. Werk niet vanaf een wankel of instabiel iets.
3. **Draag niet meerdere gereedschapsriemen en/of schouderdraagstellen tegelijkertijd terwijl u het gereedschap bedient.**
4. **Houd tijdens gebruik omstanders en dieren ten minste 15 meter uit de buurt van het gereedschap.** Zet het gereedschap uit zodra iemand dichterbij komt.

## Aanvullende veiligheidsinstructies

### Vorbereidingen

1. **DEZE HEGGENSCHAAR KAN ERNSTIG LETSEL VEROOZAKEN.** Lees de instructies zorgvuldig voor een juiste hantering, voorbereiding, onderhoud, starten en stoppen van het gereedschap. Zorg dat u vertrouwd raakt met alle bedieningsorganen en het correcte gebruik van het gereedschap.
2. **Controleer de heggen en struiken op vreemde voorwerpen, zoals draadafrastering of verborgen draden, voordat u het gereedschap gebruikt.**
3. **De heggenschaar mag niet worden gebruikt door kinderen of jeugd jonger dan 18 jaar.** Jongeren ouder dan 16 jaar kunnen uitgezonderd worden van deze regel mits zij les krijgen onder toezicht van een expert.
4. **In geval van nood zet u onmiddellijk het gereedschap uit en verwijdert u de accu.**

5. Als het snijgarnituur tegen een voorwerp stoot, of het gereedschap een ongebruikelijk geluid begint te maken, schakelt u het gereedschap onmiddellijk uit, verwijdert u de accu en laat u het gereedschap tot stilstand komen. Voer daarna de volgende stappen uit:
    - Inspecteer op beschadigingen.
    - Controleer op loszittende onderdelen en zet die goed vast.
    - Laat alle beschadigde onderdelen repareren of vervangen door originele vervangingsonderdelen.
  6. Gebruik het gereedschap uitsluitend voor het beoogde doel. Gebruik het gereedschap niet voor enig ander doel.
  7. Schakel het gereedschap uit en verwijder de accu alvorens:
    - te reinigen of een verstopping op te heffen,
    - te controleren, onderhoud uit te voeren of te werken aan het gereedschap,
    - de werkstand van de messenbladen af te stellen,
    - het gereedschap onbeheerd achter te laten.
  8. Verzeker u ervan dat het gereedschap correct is vastgezet in een daarvoor bedoelde werkstand voordat u het gereedschap start.
  9. Bedien het gereedschap niet wanneer de messenbladen beschadigd of sterk gesleten zijn.
  10. Let altijd goed op uw omgeving en wees bedacht op mogelijke gevaren waarvan u zich mogelijk niet bewust bent vanwege het geluid van het gereedschap.
  11. Wees voorzichtig niet per ongeluk een metaal afrastering of andere harde voorwerpen te raken tijdens het gebruik. De bladen zullen breken en kunnen ernstig letsel veroorzaken.
  12. Voorkom onbedoeld starten. Draag het gereedschap niet terwijl de accu is aangebracht met uw vinger op de schakelaar. Verzeker u ervan dat de schakelaar uit staat voordat u de accu aanbrengt.
  13. Pak de blote messenbladen of snijranden niet vast wanneer u het gereedschap oppakt of vasthoudt.
  14. Forceer het gereedschap niet. Het gereedschap werkt beter en met een kleinere kans op letsel op de manier waarvoor het is ontworpen.
  15. Gebruik het gereedschap niet in de regen of onder natte of zeer vochtige omstandigheden. De elektromotor is niet waterdicht.
  16. Houd tijdens het gebruik het gereedschap stevig vast.
  17. Laat het gereedschap niet onnodig onbelast draaien.
  18. Alvorens de messenbladen te controleren, storingen te verhelpen of vastgelopen vreemde voorwerpen uit de messenbladen te verwijderen, schakelt u het gereedschap altijd uit en verwijdert u de accu.
  19. Richt de messenbladen nooit op uzelf of anderen.
  20. Als de messenbladen tijdens gebruik stoppen met bewegen doordat vreemde voorwerpen verstrikt geraakt zijn tussen de messenbladen, schakelt u het gereedschap uit en verwijdert u de accu, en verwijdert u vervolgens de vreemde voorwerpen met behulp van gereedschappen, zoals een tang. Als u de vreemde voorwerpen met de hand verwijdert, kan dat leiden tot letsel omdat de messenbladen kunnen gaan bewegen als reactie op het verwijderen van de vreemde voorwerpen.
- Elektrische veiligheid en accu**
1. Vermijd gevaarlijke omgevingen. Gebruik het gereedschap niet op vochtige of natte plaatsen en stel het niet bloot aan regen. Als water binnendringt in het gereedschap, wordt de kans op een elektrische schok groter.
  2. Werp de accu('s) niet in een vuur. De accu kan exploderen. Raadpleeg de lokale regelgeving voor mogelijke speciale verwerkingsvereisten.
  3. Open of vervorm de accu('s) niet. Het elektrolyt is agressief en kan letsel toebrengen aan de ogen en huid. Het kan giftig zijn bij inslikken.
  4. Laad de accu niet op in de regen of op een natte plaats.
  5. Laad de accu niet buitenshuis op.
  6. Raak de lader, inclusief de stekker en de contacten van de lader, niet met natte handen aan.
- Onderhoud en opbergen**
1. Wanneer het gereedschap wordt stilgezet voor onderhoud, inspectie of opslag, schakelt u het gereedschap uit, verwijdert u de accu en verzekert u zich ervan dat alle bewegende delen tot stilstand zijn gekomen. Laat het gereedschap afkoelen alvorens enige inspectie, enz. uit te voeren.
  2. Laat het gereedschap altijd eerst afkoelen voordat u hem opbergt.
  3. Als het gereedschap niet wordt gebruikt, bevestigt u de schede op het gereedschap en bergt u het gereedschap binnen op op een droge, hoge of afgesloten plaats, buiten het bereik van kinderen.
  4. Onderhoud het gereedschap goed. Houd de snijranden scherp en schoon voor de beste prestaties en om de kans op letsel te verkleinen. Volg de instructies voor het smeren en het vervangen van accessoires. Houd de handgrepen droog, schoon en vrij van olie en vet.
  5. Controleer beschadigde onderdelen. Zonder het gereedschap verder te gebruiken, moet elk onderdeel dat beschadigd is eerst goed worden onderzocht om te beoordelen of het goed zal werken en zijn beoogde functie kan uitvoeren. Controleer of bewegende delen goed uitgelijnd zijn en niet vastgelopen zijn, of onderdelen niet kapot zijn en stevig gemonteerd zijn, en enige andere situatie die van invloed kan zijn op de werking van het gereedschap. Een beschermkap of ander onderdeel dat is beschadigd, dient deugdelijk te worden gerepareerd of te worden vervangen door uw erkende servicecentrum.

6. Gebruik uitsluitend originele vervangingsonderdelen.
7. Wanneer u het gereedschap naar een andere plaats overbrengt, ook tijdens het werk, verwijdert u altijd de accu en brengt u de schede aan over de messenbladen. Draag of vervoer het gereedschap nooit terwijl de bladen bewegen. Pak de bladen nooit met uw handen beet.
8. Reinig het gereedschap, en met name de messenbladen, na ieder gebruik en voordat het gereedschap langdurig wordt opgeborgen. Smeer de messenbladen met een beetje olie en breng de schede aan.
9. Werp de accu('s) niet in een vuur. De accu kan exploderen. Raadpleeg de lokale regelgeving voor mogelijke speciale verwerkingsvereisten.
10. Open of vervorm de accu('s) niet. Het elektrolyt is agressief en kan letsel toebrengen aan de ogen en huid. Het kan giftig zijn bij inslikken.
11. Laad de accu niet op in de regen of op een natte plaats.

## BEWAAR DEZE VOORSCHRIFTEN.

**⚠️ WAARSCHUWING:** Laat u NIET misleiden door een vals gevoel van comfort en bekendheid met het gereedschap (na veelvuldig gebruik) en neem alle veiligheidsvoorschriften van het betreffende gereedschap altijd strikt in acht. **VERKEERD GEBRUIK** of het niet naleven van de veiligheidsvoorschriften in deze gebruiksaanwijzing kan leiden tot ernstig letsel.

### Belangrijke veiligheidsinstructies voor een accu

1. Lees alle voorschriften en waarschuwingen op (1) de acculader, (2) de accu, en (3) het product waarvoor de accu wordt gebruikt, alvorens de accu in gebruik te nemen.
2. Haal de accu niet uit elkaar en saboteer hem niet. Dit kan leiden tot brand, buitensporige hitte of een explosie.
3. Als de gebruikstijd van een opgeladen accu aanzienlijk korter is geworden, moet u het gebruik ervan onmiddellijk stopzetten. Voortgezet gebruik kan oververhitting, brandwonden en zelfs een ontploffing veroorzaken.
4. Als elektrolyt in uw ogen is terechtgekomen, spoelt u uw ogen met schoon water en roept u onmiddellijk de hulp van een dokter in. Elektrolyt in de ogen kan blindheid veroorzaken.
5. Voorkom kortsluiting van de accu:
  - (1) Raak de accuklemmen nooit aan met een geleidend materiaal.
  - (2) Bewaar de accu niet in een bak waarin andere metalen voorwerpen zoals spijkers, munten e.d. worden bewaard.
  - (3) Stel de accu niet bloot aan water of regen. Kortsluiting van de accu kan oorzaak zijn van een grote stroomafgifte, oververhitting, brandwonden, en zelfs defecten.
6. Bewaar en gebruik het gereedschap en de accu niet op plaatsen waar de temperatuur kan oplopen tot 50 °C of hoger.
7. Werp de accu nooit in het vuur, ook niet wanneer hij zwaar beschadigd of volledig versleten is. De accu kan ontploffen in het vuur.
8. Laat de accu niet vallen, sla er geen spijker in, snijd er niet in, gooi er niet mee en stoot hem niet tegen een hard voorwerp. Dergelijke handelingen kunnen leiden tot brand, buitensporige hitte of een explosie.
9. Gebruik nooit een beschadigde accu.
10. De bijgeleverde lithium-ionbatterijen zijn onderhevig aan de vereisten in de wetgeving omtrent gevaarlijke stoffen.
 

Voor commercieel transport en dergelijke door derden en transporteurs moeten speciale vereisten ten aanzien van verpakking en etikettering worden nageleefd.

Als voorbereiding van het artikel dat wordt getransporteerd is het noodzakelijk een expert op het gebied van gevaarlijke stoffen te raadplegen. Houd u tevens aan mogelijk strengere nationale regelgeving.

Blootliggende contactpunten moeten worden afgedekt met tape en de accu moet zodanig worden verpakt dat deze niet kan bewegen in de verpakking.
11. Wanneer u de accu wilt weggooien, verwijdert u de accu vanaf het gereedschap en gooit u hem op een veilige manier weg. Volg bij het weggooien van de accu de plaatselijke voorschriften.
12. Gebruik de accu's uitsluitend met de gereedschappen die door Makita zijn aanbevolen. Als de accu's worden aangebracht in niet-compatibele gereedschappen, kan dat leiden tot brand, buitensporige warmteontwikkeling, een explosie of lekkage van elektrolyt.
13. Als u het gereedschap gedurende een lange tijd niet denkt te gaan gebruiken, moet de accu vanaf het gereedschap worden verwijderd.
14. Tijdens en na gebruik, kan de accu heet worden waardoor brandwonden of koude brandwonden kunnen worden veroorzaakt. Wees voorzichtig bij het hanteren van een hete accu.
15. Raak de aansluitpunten van het gereedschap niet onmiddellijk na gebruik aan omdat deze heet genoeg kunnen zijn om brandwonden te veroorzaken.
16. Zorg ervoor dat geen steenslag, stof of grond vast komt te zitten op/in de aansluitpunten, openingen en groeven van de accu. Dit kan leiden tot slechte prestaties of een defect van het gereedschap of de accu.
17. Behalve indien gebruik van het gereedschap is toegestaan in de buurt van hoogspanningsleidingen, mag u de accu niet gebruiken in de buurt van een hoogspanningsleiding. Dit kan leiden tot een storing of een defect van het gereedschap of de accu.
18. Houd de accu uit de buurt van kinderen.

## BEWAAR DEZE INSTRUCTIES.

**⚠ LET OP:** Gebruik uitsluitend originele Makita accu's. Het gebruik van niet-originele accu's, of accu's die zijn gewijzigd, kan ertoe leiden dat de accu ontploft en brand, persoonlijk letsel en schade veroorzaakt. Ook vervalt daarmee de garantie van Makita op het gereedschap en de lader van Makita.

## Tips voor een maximale levensduur van de accu

1. Laad de accu op voordat hij volledig ontladen is. Stop het gebruik van het gereedschap en laad de accu op telkens wanneer u vaststelt dat het vermogen van het gereedschap is afgenomen.
2. Laad een volledig opgeladen accu nooit opnieuw op. Te lang opladen verkort de levensduur van de accu.
3. Laad de accu op bij een omgevingstemperatuur tussen 10 °C en 40 °C. Laat een warme accu afkoelen alvorens hem op te laden.
4. Als de accu niet wordt gebruikt, verwijdert u hem vanaf het gereedschap of de lader.

## BESCHRIJVING VAN DE ONDERDELEN

► Fig.1

1	Kop	2	Instelknop voor de hoek	3	Vergrendelhendel	4	Vingermoer
5	Voorhandgreep	6	Achterhandgreep	7	Accu	8	Trekkerschakelaar
9	Uit-vergrendelknop	10	Messenbladen	-	-	-	-

## BESCHRIJVING VAN DE FUNCTIES

**⚠ LET OP:** Zorg altijd dat het gereedschap is uitgeschakeld en de accu ervan is verwijderd alvorens de functies op het gereedschap af te stellen of te controleren.

### De accu aanbrengen en verwijderen

**⚠ LET OP:** Schakel het gereedschap altijd uit voordat u de accu aanbrengt of verwijdert.

**⚠ LET OP:** Houd het gereedschap en de accu stevig vast tijdens het aanbrengen of verwijderen van de accu. Als u het gereedschap en de accu niet stevig vasthoudt, kunnen deze uit uw handen glijpen en het gereedschap of de accu beschadigen, of kan persoonlijk letsel worden veroorzaakt.

► Fig.2: 1. Rood deel 2. Knop 3. Accu

Om de accu te verwijderen verschuift u de knop aan de voorkant van de accu en schuift u tegelijkertijd de accu uit het gereedschap.

Om de accu aan te brengen lijnt u de lip op de accu uit met de groef in de behuizing en duwt u de accu op zijn plaats. Steek de accu zo ver mogelijk in het gereedschap tot u een klikgeluid hoort. Wanneer het rode deel zichtbaar is, zoals aangegeven in de afbeelding, is de accu niet geheel vergrendeld.

**⚠ LET OP:** Breng de accu altijd helemaal aan totdat het rode deel niet meer zichtbaar is. Als u dit niet doet, kan de accu per ongeluk uit het gereedschap vallen en u of anderen in uw omgeving verwonden.









**⚠ LET OP:** Breng de accu niet met kracht aan. Als de accu niet gemakkelijk in het gereedschap kan worden geschoven, wordt deze niet goed aangebracht.

### De resterende acculading controleren

**Alleen voor accu's met indicatorlampjes**

► Fig.3: 1. Indicatorlampjes 2. Testknop

Druk op de testknop op de accu om de resterende acculading te zien. De indicatorlampjes branden gedurende enkele seconden.

Indicatorlampjes		Resterende capaciteit
Brandt	Uit	
		75% tot 100%
		50% tot 75%
		25% tot 50%
		0% tot 25%

**OPMERKING:** Afhankelijk van de gebruiksomstandigheden en de omgevingstemperatuur, is het mogelijk dat de aangegeven acculading verschilt van de werkelijke acculading.

## Gereedschap-/accubeveiligingssysteem

Het gereedschap is uitgerust met een accubeveiligingssysteem. Dit systeem schakelt automatisch de voeding naar de motor uit om de levensduur van de accu te verlengen.

Het gereedschap kan tijdens het gebruik automatisch stoppen als het gereedschap en/of de accu aan één van de volgende omstandigheden wordt blootgesteld:

### Overbelasting:

Als het gereedschap wordt gebruikt op een manier die een abnormaal hoge stroomsterkte vergt. In die situatie schakelt u het gereedschap uit en stopt u de toepassing die ertoe leidde dat het gereedschap overbelast raakte. Schakel vervolgens het gereedschap in om het weer te starten.

Als het gereedschap niet start, kan de accu oververhit zijn. In die situatie laat u de accu eerst afkoelen voordat u het gereedschap opnieuw inschakelt.

### Onvoldoende accuspanning:

Als de resterende acculading onvoldoende is, zal het gereedschap niet starten. Als u het gereedschap inschakelt, draait de motor weer, maar stopt spoedig. In dit geval verwijdert u de accu en laadt u deze op.

## De trekkerschakelaar gebruiken

**WAARSCHUWING:** Alvorens de accu in het gereedschap te plaatsen, moet u altijd controleren of de trekkerschakelaar goed werkt en bij het loslaten terugkeert naar de stand "OFF".

**WAARSCHUWING:** Omwille van uw veiligheid is dit gereedschap uitgerust met een uit-vergrendelknop die voorkomt dat het gereedschap onbedoeld wordt ingeschakeld. Gebruik het gereedschap nooit wanneer het kan worden ingeschakeld door de trekkerschakelaar in te knijpen zonder de uit-vergrendelknop in te drukken. Vraag uw plaatselijk Makita-servicecentrum het gereedschap te repareren.

**WAARSCHUWING:** Blokker nooit de vergrendelingsfunctie en zet de uit-vergrendelknop nooit met plakband vast.

**KENNISGEVING:** Knijp de trekkerschakelaar niet met grote kracht in zonder de uit-vergrendelknop in te drukken. Als u dit doet, kan de schakelaar kapot gaan.

► Fig.4: 1. Uit-vergrendelknop 2. Trekkerschakelaar

Om te voorkomen dat de trekkerschakelaar per ongeluk wordt ingeknepen, is een uit-vergrendelknop aangebracht.

Om het gereedschap te starten, drukt u de uit-vergrendelknop in en knijpt u de trekkerschakelaar in. Laat de trekkerschakelaar los om het gereedschap te stoppen. De uit-vergrendelknop kan vanaf zowel de linker- als de rechterkant worden ingedrukt.

## De snoeihoek instellen

**LET OP:** Controleer altijd of het gereedschap is uitgeschakeld voordat u de kop omklapt of weer terug klapt.

**LET OP:** Wanneer u de kop omklapt om het gereedschap te vervoeren of na gebruik van het gereedschap, moet u altijd de schede aanbrengen voordat u de kop omklapt.

**LET OP:** Wanneer u de kop omklapt, bent u voorzichtig dat uw vingers niet bekneld raken tussen de kop en het gereedschapshuis.

De hoek van de kop kan in 10 standen worden afgesteld. Om de hoek van de kop te veranderen, volgt u de onderstaande stappen.

1. Houd de kop en het gereedschapshuis vast zoals aangegeven in de afbeelding.

► Fig.5: 1. Kop 2. Instelknop voor de hoek

2. Houdt de instelknop voor de hoek ingedrukt, stel de hoek van de kop af, en laat daarna de instelknop voor de hoek los.

3. Beweeg de kop iets tot deze met een klik wordt vergrendeld.

**OPMERKING:** Verzekeer u ervan dat de kop stevig vergrendeld is voordat u het gereedschap gebruikt.

## De buislangte afstellen

**LET OP:** Verzekeer u er altijd van dat het gereedschap is uitgeschakeld voordat u de buislangte afstelt.

**LET OP:** Verzekeer u ervan bij het afstellen van de buislangte dat u de schede aanbrengt voordat u de buislangte afstelt.

**LET OP:** Wees voorzichtig dat uw vingers niet bekneld raken bij het afstellen van de buislangte.

**LET OP:** Verzekeer u ervan dat de vergrendelhendel stevig vergrendeld is.

Zet de vergrendelhendel los, stel de lengte van de buis af en vergrendel daarna de vergrendelhendel.

► Fig.6: 1. Vergrendelhendel

## De positie van de voorhandgreep afstellen

**LET OP:** Verzekeer u er altijd van dat het gereedschap is uitgeschakeld voordat u de positie van de voorhandgreep afstelt.

**LET OP:** Wees voorzichtig dat uw vingers niet bekneld raken bij het aanpassen van de positie van de voorhandgreep.

**LET OP:** Verzekeer u ervan dat de vingermoer stevig is vastgedraaid.

**LET OP:** Verplaats de voorhandgreep niet tot voorbij de pijlmarkering.

Om de positie van de voorhandgreep af te stellen, draait u de vingermoer los door deze linksom te draaien, stelt u vervolgens de positie van de voorhandgreep af, en draait u tenslotte de vingermoer weer vast door deze rechtsom te draaien.

► **Fig.7:** 1. Vingermoer 2. Pijlmarkering

## MONTAGE

**▲LET OP:** Zorg altijd dat het gereedschap is uitgeschakeld en de accu ervan is verwijderd alvorens enig werk aan het gereedschap uit te voeren.

**▲LET OP:** Draag bij het vervangen van de messenbladen altijd handschoenen zodat uw handen niet rechtstreeks in aanraking komen met de messenbladen.

### De messenbladen aanbrengen en verwijderen

**▲LET OP:** Breng de schede aan voordat u de messenbladen aanbrengt of verwijdert.

**KENNISGEVING:** Bij het aanbrengen of verwijderen van de messenbladen veegt u het vet op het tandwiel en de kruk er niet af.

**OPMERKING:** Voordat u de messenbladen aanbrengt of verwijdert, klapt u de kop van het gereedschap om zodat de kop recht op het gereedschapshuis staat.

1. Plaats het gereedschap ondersteboven.
2. Verwijder de 4 schroeven met behulp van een schroevendraaier en verwijder de messenbladen.  
► **Fig.8:** 1. Schroef

3. Verwijder de kruk vanaf de messenbladen.  
► **Fig.9:** 1. Kruk

**OPMERKING:** De kruk kan achterblijven in het gereedschap.

4. Bereid de kruk en de nieuwe messenbladen voor.  
► **Fig.10:** 1. Kruk 2. Messenbladen
5. Verwijder de schede en breng hem aan op de nieuwe messenbladen.
6. Breng een kleine hoeveelheid smeervet aan op de omtrek van de kruk. Breng de sluitring, het tandwiel en de kruk in die volgorde aan op de pen.  
► **Fig.11:** 1. Kruk 2. Tandwiel 3. Sluitring 4. Pen
7. Draai de kruk zodanig dat de 2 kleine gaten in de kruk zijn uitgelijnd op de uitlijnlijn, zoals aangegeven in de afbeelding.  
► **Fig.12:** 1. Uitlijnlijn 2. Klein gat
8. Verschuif de messenbladen zodanig dat het gat in de geleideplaat zich in het midden van de ringen van de messenbladen bevindt.  
► **Fig.13:** 1. Geleideplaat

9. Steek de schroef, die in stap 2 werd verwijderd, door het gat in de schede in het gat in de messenbladen.

► **Fig.14:** 1. Gat

10. Bevestig de messenbladen aan het gereedschap en draai daarna 3 schroeven vast met behulp van de schroevendraaier.

► **Fig.15:** 1. Schroef

11. Verwijder de schroef die in stap 9 in het gat in de messenbladen werden gestoken, en draai deze daarna in de messenbladen om ze te bevestigen.

**KENNISGEVING:** Als de messenbladen niet goed werken, grijpen de messenbladen niet goed aan op de kruk. Verwijder de messenbladen en breng ze opnieuw aan.

**KENNISGEVING:** Als andere onderdelen dan de messenbladen, zoals de kruk, zijn versleten, vraagt u een erkend Makita-servicecentrum, de onderdelen te vervangen of het gereedschap te repareren.

### De snoeiafvalvanger aanbrengen en verwijderen

#### Optioneel accessoire

**▲LET OP:** Draag bij het aanbrengen of verwijderen van de snoeiafvalvanger altijd handschoenen zodat uw handen niet rechtstreeks in aanraking komen met de messenbladen.

**▲LET OP:** Bevestig de schede voordat u de snoeiafvalvanger aanbrengt of verwijdert.

De snoeiafvalvanger verzamelt afgesneden bladeren waardoor het opruimen later veel gemakkelijker is. Hij kan aan beide kanten van het gereedschap worden bevestigd.

1. Lijn de gaten in de snoeiafvalvanger uit met de moeren op de messenbladen.

► **Fig.16:** 1. Moer

2. Haak de vergrendelhaken van de snoeiafvalvanger in de sleuf van de messenbladen.

► **Fig.17:** 1. Vergrendelhaak 2. Sleuf

3. Druk op de hendels van de snoeiafvalvanger en haak vervolgens de vergrendelhaken aan de andere kant in de sleuf van de messenbladen.

► **Fig.18:** 1. Hendel

Om de snoeiafvalvanger te verwijderen, drukt u de hendels in om de vergrendelhaken te ontgrendelen.

► **Fig.19:** 1. Hendel

**KENNISGEVING:** Probeer de snoeiafvalvanger nooit met grote kracht te verwijderen terwijl de vergrendelhaken aangrijpen in de sleuven van de messenbladen.



# BEDIENING

## Het gereedschap bedienen

**⚠️ WAARSCHUWING:** Gebruik het gereedschap niet in de buurt van elektriciteitsdraden. Aanraking van elektriciteitsdraden of gebruik van het gereedschap in de buurt van elektriciteitsdraden kan leiden tot ernstig letsel of een elektrische schok die leidt tot de dood.

**⚠️ WAARSCHUWING:** Houd uw handen uit de buurt van de messenbladen.

**⚠️ WAARSCHUWING:** Let er goed op dat u te allen tijde de controle over het gereedschap behoudt. Zorg ervoor dat het gereedschap zich niet in uw richting of in de richting van iemand die in de buurt staat beweegt. Als u de controle over het gereedschap verliest, kan dat leiden tot ernstig letsel van de gebruiker en omstanders.

**⚠️ LET OP:** Vermijd, voor zover dat praktisch is, het gebruik van het gereedschap bij zeer warm weer. Let tijdens gebruik van het gereedschap op uw fysieke toestand.

**⚠️ LET OP:** Wees voorzichtig niet per ongeluk een metalen afrastering of andere harde voorwerpen te raken tijdens het snoeien. De messenbladen kunnen breken en letsel veroorzaken.

**⚠️ LET OP:** Wees voorzichtig dat de messenbladen tijdens gebruik niet de grond raken. Het gereedschap kan hierdoor terugslaan en letsel veroorzaken.

**⚠️ LET OP:** Het is bijzonder gevaarlijk met de heggenschaar te ver te reiken, met name op een ladder. Werk niet vanuit een wankele of instabiele stand.

**KENNISGEVING:** Probeer geen takken dikker dan 10 mm diameter te snoeien met het gereedschap. Snoei takken met behulp van een snoeischaar op 10 cm lager af dan de snoeihoogte voordat u het gereedschap gebruikt.

► Fig.20: (1) Snoeihoogte (2) 10 cm

**KENNISGEVING:** Snoei niet in dode bomen of andere harde voorwerpen. Als u dit toch doet, kan het gereedschap worden beschadigd.

**KENNISGEVING:** Snijd geen gras of onkruiden met de messenbladen. Het gras of de onkruiden kunnen verstrikt raken in de messenbladen.

Houd het gereedschap met beide handen vast door de voorhandgreep en de achterhandgreep vast te pakken.

► Fig.21: 1. Voorhandgreep 2. Achterhandgreep

Houd de uit-vergrendelknop ingedrukt en knijp de trekverschakelaar in, en beweeg vervolgens het gereedschap naar voren.

► Fig.22

Als standaardmethode houdt u de messenbladen gekanteld in de snoeirichting en beweegt u ze rustig en langzaam met een snelheid van 3 of 4 seconden per meter.

► Fig.23

Om de zijkant van een heg gelijkmatig te snoeien, snoeit u van onder naar boven.

► Fig.24

Als u een ronde vorm wilt snoeien (snoeien van buxus, rododendron, enz.), snoeit u van onder naar boven voor een mooie afwerking.

► Fig.25

Als de snoeiafvalvanger is bevestigd aan de messenbladen, verzamelt deze de gesnoeide bladeren en maakt het opruimen naderhand veel gemakkelijker.

► Fig.26

## ONDERHOUD

**⚠️ LET OP:** Zorg altijd dat het gereedschap is uitgeschakeld en de accu ervan is verwijderd alvorens te beginnen met onderhoud of inspectie.

**⚠️ LET OP:** Leg het gereedschap altijd op de grond wanneer u het inspecteert of onderhoudt. Als u het gereedschap monteert of afstelt terwijl het rechtop staat, kan ernstig letsel worden veroorzaakt.

Om de VEILIGHEID en BETROUWBAARHEID van het gereedschap te handhaven, dienen alle reparaties, onderhoud of afstellingen te worden uitgevoerd bij een erkend Makita-servicecentrum of de Makita-fabriek, en altijd met gebruik van Makita-ervangingsonderdelen.

## Het gereedschap reinigen

Reinig het gereedschap door het stof eraf te vegen met een droge doek of een doek gedoopt in zeepwater en uitgewrongen.

**KENNISGEVING:** Gebruik nooit benzine, wasbenzine, thinner, alcohol en dergelijke. Hierdoor kunnen verkleuring, vervormingen en barsten worden veroorzaakt.

## De messenbladen onderhouden

Voorafgaand aan gebruik, en één keer per uur tijdens gebruik, brengt u olie met een lage viscositeit (machineolie of smeerolie uit een spuitbus) aan op de messenbladen.

► Fig.27

Verwijder na de werkzaamheden het vuil vanaf beide zijden van de messenbladen met behulp van een staalborstel, veeg de messenbladen schoon met een doek, en breng daarna olie met een lage viscositeit (machineolie of smeerolie uit een spuitbus) aan op de messenbladen.

► Fig.28

**KENNISGEVING:** Was de messenbladen niet met water. Als u dit toch doet, kan het gereedschap gaan roesten of worden beschadigd.

**KENNISGEVING:** Vuil en roest zorgen voor een buitensporige weerstand tussen de messenbladen en verkorten de gebruiksduur van een acculading.



## Opslag

Schuif de schede over de messenbladen zodat deze niet bloot liggen. Bewaar het gereedschap buiten bereik van kinderen. Bewaar het gereedschap op een plaats die niet is blootgesteld aan vocht of regen.

## PROBLEMEN OPLOSSEN

Alvorens u verzoekt om reparatie, kunt u zelf als volgt het probleem opsporen en oplossen. Als u met een probleem kampt dat in deze handleiding niet wordt beschreven, probeer dan niet het gereedschap te demonteren. Laat reparaties over aan een erkend Makita-servicecentrum, uitsluitend met gebruik van originele Makita-vervangingsonderdelen.

Probleemomschrijving	Waarschijnlijke oorzaak (storing)	Oplossing
Motor loopt niet.	De accu is niet aangebracht.	Breng de accu aan.
	Probleem met de accu (lage spanning).	Laad de accu op. Als het opladen niet helpt, vervangt u de accu.
	De aandrijving werkt niet goed.	Vraag uw plaatselijke, erkende servicecentrum het gereedschap te repareren.
De motor stopt na kort te hebben gedraaid.	De accu is bijna leeg.	Laad de accu op. Als het opladen niet helpt, vervangt u de accu.
	Oververhitting.	Stop het gebruik van het gereedschap en laat het afkoelen.
Het gereedschap bereikt niet het maximumtoerental.	De accu is niet goed aangebracht.	Breng de accu aan zoals beschreven in deze gebruiksaanwijzing.
	Het accuvermogen neemt af.	Laad de accu op. Als het opladen niet helpt, vervangt u de accu.
	De aandrijving werkt niet goed.	Vraag uw plaatselijke, erkende servicecentrum het gereedschap te repareren.
De messenbladen bewegen niet: ⇒ stop het gereedschap onmiddellijk!	Ongeschikte hoek van de messenbladen.	Verzekert u ervan dat de kop goed is vastgezet in de correcte hoek voor gebruik.
	Vreemde voorwerpen zijn vastgelopen tussen de messenbladen.	Schakel het gereedschap uit en verwijder de accu, en verwijder daarna de vreemde voorwerpen met behulp van een tang of ander gereedschap.
	De aandrijving werkt niet goed.	Vraag uw plaatselijke, erkende servicecentrum het gereedschap te repareren.
Abnormale trillingen: ⇒ stop het gereedschap onmiddellijk!	De messenbladen zijn gebroken, verbogen of versleten.	Vervang de messenbladen.
	De aandrijving werkt niet goed.	Vraag uw plaatselijke, erkende servicecentrum het gereedschap te repareren.
De messenbladen en de motor kunnen niet stoppen: ⇒ verwijder de accu onmiddellijk!	Elektrische storing.	Verwijder de accu en vraag uw plaatselijk erkende servicecentrum het gereedschap te repareren.

## OPTIONELE ACCESSOIRES

**⚠ LET OP:** Deze accessoires of hulpstukken worden aanbevolen voor gebruik met het Makita gereedschap dat in deze gebruiksaanwijzing is beschreven. Bij gebruik van andere accessoires of hulpstukken bestaat het gevaar van persoonlijke letsel. Gebruik de accessoires of hulpstukken uitsluitend voor hun bestemde doel.

- Messenbladen compleet
- Schoeiafvalvanger
- Smeervethouder
- Originele Makita-accu en -acculader

**OPMERKING:** Sommige items op de lijst kunnen zijn inbegrepen in de doos van het gereedschap als standaard toebehoren. Deze kunnen van land tot land verschillen.

Wenst u meer bijzonderheden over deze accessoires, neem dan contact op met het plaatselijke Makita-servicecentrum.

## ESPECIFICACIONES

Modelo:	UN460WD
Longitud de la cuchilla	460 mm
Carreras por minuto	3.600 min <sup>-1</sup>
Ángulo de la cuchilla de corte	135° (arriba 60°, abajo 75°)
Longitud total	1.889 - 2.511 mm
Tensión nominal	10,8 V - 12 V CC máx.
Peso neto	2,8 - 3,0 kg

- Debido a nuestro continuado programa de investigación y desarrollo, las especificaciones aquí dadas están sujetas a cambios sin previo aviso.
- Las especificaciones pueden ser diferentes de país a país.
- El peso puede variar dependiendo del accesorio(s), incluyendo el cartucho de batería. La combinación menos pesada y la más pesada, de acuerdo con el procedimiento EPTA 01/2014, se muestran en la tabla.

### Cartucho de batería y cargador aplicables

Cartucho de batería	BL1016 / BL1021B / BL1041B
Cargador	DC10SA / DC10SB / DC10WC / DC10WD / DC18RE

- Algunos de los cartuchos de batería y cargadores indicados arriba puede que no estén disponibles dependiendo de su región de residencia.

**⚠ ADVERTENCIA:** Utilice solamente los cartuchos de batería y cargadores listados arriba. La utilización de cualquier otro cartucho de batería y cargador puede ocasionar heridas y/o un incendio.

### Símbolos

A continuación se muestran los símbolos que pueden ser utilizados para el equipo. Asegúrese de que entiende su significado antes de utilizar.

	Lea el manual de instrucciones.
	No exponga a la humedad.
	Póngase un casco, gafas de seguridad y protección para los oídos.
	PELIGRO - Mantenga las manos alejadas de la cuchilla.
	Tenga cuidado con las líneas eléctricas, riesgo de descarga eléctrica.
	Mantenga una distancia de 15 m por lo menos.



Sólo para países de la Unión Europea  
Debido a la presencia de componentes peligrosos en el equipo, el equipo eléctrico y electrónico, los acumuladores y las baterías desechados pueden tener un impacto negativo para el medioambiente y la salud humana.

¡No tire los aparatos eléctricos y electrónicos ni las baterías junto con los residuos domésticos!

De conformidad con las Directivas Europeas sobre residuos de aparatos eléctricos y electrónicos y sobre acumuladores y baterías, así como la adaptación de las mismas a la ley nacional, el equipo eléctrico, las baterías y los acumuladores desechados deberán ser almacenados por separado y trasladados a un punto distinto de recogida de desechos municipales, que cumpla con los reglamentos sobre protección medioambiental.

Esto se indica mediante el símbolo de cubo de basura tachado colocado en el equipo.



Nivel de potencia del sonido garantizado de acuerdo con la Directiva UE sobre ruido ambiental.



Nivel de potencia del sonido de acuerdo con el reglamento para el control de ruido en NSW, Australia

### Uso previsto

La herramienta ha sido prevista para recortar setos.

## Ruido

El nivel de ruido A-ponderado típico determinado de acuerdo con la norma EN62841-4-2:  
Nivel de presión sonora ( $L_{pA}$ ): 74 dB (A)  
Error (K): 3 dB (A)

El nivel de ruido en situación de trabajo puede exceder 80 dB (A).

**NOTA:** El valor (o los valores) de emisión de ruido declarado ha sido medido de acuerdo con un método de prueba estándar y se puede utilizar para comparar una herramienta con otra.

**NOTA:** El valor (o valores) de emisión de ruido declarado también se puede utilizar en una valoración preliminar de exposición.

**⚠ADVERTENCIA:** Póngase protectores para oídos.

**⚠ADVERTENCIA:** La emisión de ruido durante la utilización real de la herramienta eléctrica puede variar del valor (o los valores) de emisión declarado dependiendo de las formas en las que la herramienta sea utilizada, especialmente qué tipo de pieza de trabajo se procesa.

**⚠ADVERTENCIA:** Asegúrese de identificar medidas de seguridad para proteger al operario que estén basadas en una estimación de la exposición en las condiciones reales de utilización (teniendo en cuenta todas las partes del ciclo operativo como las veces cuando la herramienta está apagada y cuando está funcionando en vacío además del tiempo de gatillo).

## Vibración

Estándar aplicable : EN62841-4-2

Mano izquierda (Empuñadura delantera)		Mano derecha (Empuñadura trasera)	
$a_h$ ( $m/s^2$ )	Incertidumbre K ( $m/s^2$ )	$a_h$ ( $m/s^2$ )	Incertidumbre K ( $m/s^2$ )
2,5 $m/s^2$ o menos	1,5	2,5 $m/s^2$ o menos	1,5

**NOTA:** El valor (o los valores) total de emisión de vibración declarado ha sido medido de acuerdo con un método de prueba estándar y se puede utilizar para comparar una herramienta con otra.

**NOTA:** El valor (o los valores) total de emisión de vibración declarado también se puede utilizar en una valoración preliminar de exposición.

**⚠ADVERTENCIA:** La emisión de vibración durante la utilización real de la herramienta eléctrica puede variar del valor (o los valores) de emisión declarado dependiendo de las formas en las que la herramienta sea utilizada, especialmente qué tipo de pieza de trabajo se procesa.

**⚠ADVERTENCIA:** Asegúrese de identificar medidas de seguridad para proteger al operario que estén basadas en una estimación de la exposición en las condiciones reales de utilización (teniendo en cuenta todas las partes del ciclo operativo como las veces cuando la herramienta está apagada y cuando está funcionando en vacío además del tiempo de gatillo).

## Declaración CE de conformidad

*Para países europeos solamente*

La declaración CE de conformidad está incluida como Anexo A de esta manual de instrucciones.

## Guarde todas las advertencias e instrucciones para futuras referencias.

El término "herramienta eléctrica" en las advertencias se refiere a su herramienta eléctrica de funcionamiento con conexión a la red eléctrica (con cable) o herramienta eléctrica de funcionamiento a batería (sin cable).

## Advertencias de seguridad para el cortasetos de extensión inalámbrico

1. Mantenga todas las partes del cuerpo alejadas de la cuchilla. No retire el material cortado o sujete el material que va a cortar cuando las cuchillas estén moviéndose. Las cuchillas siguen moviéndose después de desactivar el interruptor. Un momento de inatención mientras está operando el cortasetos puede resultar en heridas personales graves.
2. Transporte el cortasetos agarrándolo por el mango con la cuchilla parada y teniendo cuidado de no activar ningún interruptor de alimentación. Un transporte correcto del cortasetos disminuirá el riesgo de una puesta en marcha involuntaria que podría resultar en heridas personales con las cuchillas.

## ADVERTENCIAS DE SEGURIDAD

### Advertencias de seguridad para herramientas eléctricas en general

**⚠ADVERTENCIA:** Lea todas las advertencias de seguridad, instrucciones, ilustraciones y especificaciones provistas con esta herramienta eléctrica. Si no sigue todas las instrucciones indicadas abajo podrá resultar en una descarga eléctrica, un incendio y/o heridas graves.

3. **Cuando transporte o almacene el cortasetos, coloque siempre la cubierta de las cuchillas.** Un manejo correcto del cortasetos disminuirá el riesgo de heridas personales con las cuchillas.
4. **Cuando retire material atascado o haga el servicio a la unidad, asegúrese de que todos los interruptores de alimentación están desactivados y la batería ha sido retirada o desconectada.** Una puesta en marcha del cortasetos mientras retira material atascado o hace el servicio podrá resultar en heridas personales graves.
5. **Sujete el cortasetos por las superficies de aislamiento aisladas solamente, porque la cuchilla puede entrar en contacto con cableado oculto.** El contacto de las cuchillas con un cable con corriente hará que la corriente circule por las partes metálicas expuestas del cortasetos y podrá soltar una descarga eléctrica al operario.
6. **Mantenga todos los cables de alimentación y otros cables alejados del área de corte.** Puede haber cables de alimentación u otros cables ocultos en los setos o arbustos y la cuchilla puede cortarlos accidentalmente.
7. **No utilice el cortasetos en malas condiciones meteorológicas, especialmente cuando haya riesgo de relámpagos.** Esto disminuirá el riesgo de sufrir el impacto de un rayo.
8. **Para reducir el riesgo de electrocución, no utilice nunca el cortasetos de extensión cerca de cualquier línea eléctrica.** El contacto con líneas eléctricas o el uso cerca de ellas puede ocasionar heridas graves o una descarga eléctrica resultando en la muerte.
9. **Utilice siempre las dos manos cuando opere el cortasetos de extensión.** Sujete el cortasetos de extensión con ambas manos para evitar la pérdida del control.
10. **Utilice siempre protección para la cabeza cuando opere el cortasetos de extensión en lo alto.** La caída de restos puede resultar en heridas personales graves.
5. **PELIGRO - Mantenga las manos alejadas de la cuchilla.** El contacto con la cuchilla provocará heridas personales graves.
6. **A los primerizos, un usuario con experiencia deberá enseñarles cómo utilizar la herramienta.**
7. **Antes de la operación, examine el área de trabajo por si hay cercas alambradas, piedras u otros objetos sólidos. Pueden dañar las cuchillas.**
8. **Utilice el cortasetos solamente si usted se encuentra en buena condición física.** Si está cansado, su atención se reducirá. Tenga cuidado especial al final de la jornada laboral. Realice todo el trabajo con calma y con cuidado. El usuario es responsable de todos los daños causados a terceros.
9. **Antes de comenzar el trabajo, compruebe para asegurarse de que el cortasetos está en buen estado de funcionamiento y que se puede usar con seguridad. Asegúrese de que los protectores están colocados firmemente. El cortasetos no debe ser utilizado a menos que esté totalmente ensamblado.**
10. **Evite los entornos peligrosos. No utilice la herramienta en lugares húmedos o mojados ni la esponja a la lluvia. La entrada de agua en la herramienta aumentará el riesgo de que se produzca una descarga eléctrica.**

#### Equipo de protección personal

1. **Los guantes de trabajo de cuero resistente son parte del equipo básico del cortasetos y se deben llevar puestos siempre que se trabaje con él. Póngase también zapatos robustos con suelas antideslizantes.**
2. **Póngase protección para los oídos como orejeras para evitar pérdida auditiva.**
3. **Póngase gafas de protección, casco de seguridad y guantes de protección para protegerse de los restos que salen volando u objetos que caigan.**
4. **Cuando toque las cuchillas o ajuste el ángulo de las cuchillas, póngase guantes de protección.** Las cuchillas pueden cortar las manos desnudas gravemente.

#### Operación

1. **Utilice siempre las dos manos para operar la herramienta.** La utilización de solo una mano puede ocasionar la pérdida del control y resultar en heridas personales graves.
2. **Mientras opera la herramienta, asegúrese siempre de que la postura de operación es segura y firme. Trabajar con la herramienta donde no se alcanza, particularmente desde una escalera de mano, es sumamente peligroso. No trabaje desde cualquier cosa que se tambalee o no esté bien firme.**
3. **No se ponga simultáneamente varios arneses de cintura y/o arneses de hombro cuando opere la herramienta.**
4. **Durante la operación, mantenga a los transeúntes o animales alejados al menos 15 m de la herramienta. Pare la herramienta en cuanto alguien se acerque.**

## Instrucciones de seguridad adicionales

### Preparación

1. **ESTE CORTASETOS PUEDE OCASIONAR HERIDAS GRAVES.** Lea las instrucciones atentamente para manejar, preparar, mantener, poner en marcha y detener la herramienta correctamente. Familiarícese con todos los controles y el uso apropiado de la herramienta.
2. **Compruebe los setos y arbustos por si tienen objetos extraños, tal como cercas alambradas o cables ocultos antes de utilizar la herramienta.**
3. **El cortasetos no debe ser utilizado por niños o personas jóvenes de menos de 18 años de edad.** Las personas jóvenes de más de 16 años de edad pueden excluirse de esta restricción si están recibiendo preparación bajo la supervisión de un experto.
4. **En el caso de una emergencia, apague la herramienta y retire el cartucho de batería inmediatamente.**

5. Si el implemento de corte golpea cualquier objeto o si la herramienta comienza a hacer un ruido o vibración anormal, apague la herramienta y retire el cartucho de batería inmediatamente y deje que la herramienta se detenga. Y después realice los pasos siguientes:
    - inspeccione por si hay daños
    - compruebe por si hay partes flojas, y apriete cualquier parte aflojada
    - pida que reemplacen o reparen cualquier pieza dañada con piezas de repuesto genuinas.
  6. Utilice la herramienta solamente para el propósito que ha sido prevista. No utilice la herramienta para ningún otro propósito.
  7. Apague la herramienta y retire el cartucho de batería antes de:
    - limpiarla o cuando despeje un atasco,
    - comprobar, realizar mantenimiento o trabajar en la herramienta,
    - ajustar la posición de trabajo de las cuchillas de tijeras,
    - dejar la herramienta sin atender.
  8. Asegúrese de que la herramienta está situada correctamente en una posición de trabajo designada antes de poner en marcha la herramienta.
  9. No opere la herramienta con cuchillas de tijeras dañadas o excesivamente gastadas.
  10. Esté siempre al tanto de su entorno y alerta por posibles riesgos de los que puede que no esté al tanto debido al ruido de la herramienta.
  11. Tenga cuidado de no tocar accidentalmente una valla metálica u otros objetos duros durante la operación. La cuchilla se romperá y podrá ocasionar heridas graves.
  12. Evite una puesta en marcha involuntaria. No transporte la herramienta con el cartucho de batería instalado y el dedo en el interruptor. Asegúrese de que el interruptor está desactivado cuando instale el cartucho de batería.
  13. No agarre las cuchillas de corte o bordes de corte expuestos cuando recoja o sujete la herramienta.
  14. No fuerce la herramienta. Esta hará el trabajo mejor y con menos posibilidad de riesgo de heridas a la potencia para la que ha sido diseñada.
  15. No utilice la herramienta en la lluvia ni en condiciones mojadas o muy húmedas. El motor eléctrico no es a prueba de agua.
  16. Sujete la herramienta firmemente cuando la esté utilizando.
  17. No utilice la herramienta sin carga innecesariamente.
  18. Antes de comprobar las cuchillas de tijeras, ocuparse de los fallos, o de retirar objetos extraños enganchados en las cuchillas de tijeras, apague siempre la herramienta y retire el cartucho de batería.
  19. No dirija nunca las cuchillas de tijeras hacia usted u otros.
  20. Si las cuchillas dejan de moverse debido al atasco de objetos extraños entre las cuchillas durante la operación, apague la herramienta y retire el cartucho de batería, y después retire los objetos extraños utilizando implementos como unos alicates. Retirar los objetos extraños con la mano puede ocasionar heridas por el hecho de que las cuchillas pueden moverse como reacción al retirar los objetos extraños.
- Seguridad eléctrica y de la batería**
1. Evite los entornos peligrosos. No utilice la herramienta en lugares húmedos o mojados ni la esponja a la lluvia. La entrada de agua en la herramienta aumentará el riesgo de que se produzca una descarga eléctrica.
  2. No deseche la batería(s) arrojándola al fuego. La célula puede explotar. Compruebe los códigos locales por si hay instrucciones para el posible desecho especial.
  3. No abra o mutilé la batería(s). El electrolito liberado es corrosivo y puede ocasionar daño a los ojos o la piel. Puede ser tóxico si se traga.
  4. No cargue la batería bajo la lluvia, o en lugares mojados.
  5. No cargue la batería en exteriores.
  6. No maneje el cargador, incluída la clavija del cargador, y los terminales del cargador con las manos mojadas.
- Mantenimiento y almacenamiento**
1. Cuando detenga la herramienta para hacerle el servicio, una inspección o para almacenarla, apáguela y retire el cartucho de batería, y asegúrese de que todas las partes móviles se han detenido. Deje que la herramienta se enfríe antes de hacer cualquier inspección, ajuste, etc.
  2. Deje siempre que la herramienta se enfríe antes de almacenarla.
  3. Cuando no se esté utilizando, coloque la cubierta de las cuchillas en la herramienta y almacene la herramienta en interiores en un lugar seco y alto, cerrado con llave, fuera del alcance de los niños.
  4. Haga el mantenimiento a la herramienta con cuidado. Mantenga el borde de corte afilado y limpio para obtener el mejor rendimiento y para reducir el riesgo de heridas. Siga las instrucciones para lubricar y cambiar los accesorios. Mantenga secas, limpias y libres de aceite y grasa las empuñaduras.
  5. Compruebe las partes dañadas. Antes de seguir utilizando la herramienta, cualquier parte que se haya dañado deberá inspeccionarse cuidadosamente para determinar que funcionará debidamente y que realizará la función para la que ha sido prevista. Compruebe la alineación de las partes móviles, la unión de las partes móviles, rotura de partes, montaje, y cualquier otra condición que pueda afectar a su operación. Un protector u otra parte que esté dañada se deberá reparar o reemplazar debidamente en el centro de servicio autorizado.
  6. Utilice solamente piezas de repuesto genuinas.

7. Cuando mueva la herramienta a otro lugar, incluyendo durante el trabajo, retire siempre el cartucho de batería y ponga la cubierta de las cuchillas en las cuchillas de tijeras. No transporte ni traslade nunca la herramienta con las cuchillas en movimiento. No agarre nunca las cuchillas con las manos.
8. Limpie la herramienta y especialmente las cuchillas de tijeras después de la utilización, y antes de almacenar la herramienta durante periodos prolongados. Enaceite ligeramente las cuchillas de tijeras y ponga la cubierta de las cuchillas.
9. No deseche la batería(s) arrojándola al fuego. La célula puede explotar. Compruebe los códigos locales por si hay instrucciones para el posible desecho especial.
10. No abra o mute la batería(s). El electrolito liberado es corrosivo y puede ocasionar daño a los ojos o la piel. Puede ser tóxico si se traga.
11. No cargue la batería bajo la lluvia, o en lugares mojados.
6. No guarde ni utilice la herramienta y el cartucho de batería en lugares donde la temperatura pueda alcanzar o exceder los 50 °C.
7. Nunca incinere el cartucho de batería incluso en el caso de que esté dañado seriamente o ya no sirva en absoluto. El cartucho de batería puede explotar si se tira al fuego.
8. No clave, corte, aplaste, lance, deje caer el cartucho de batería, ni golpee contra un objeto duro el cartucho de batería. Tal conducta podrá resultar en un incendio, calor excesivo, o una explosión.
9. No utilice una batería dañada.
10. Las baterías de litio-ion contenidas están sujetas a los requisitos de la Legislación para Materiales Peligrosos.  
Para transportes comerciales, p.ej., por terceras personas y agentes de transportes, se deberán observar requisitos especiales para el empaquetado y etiquetado.  
Para la preparación del artículo que se va a enviar, se requiere consultar con un experto en materiales peligrosos. Por favor, observe también la posibilidad de reglamentos nacionales más detallados.  
Cubra con cinta aislante o enmascare los contactos expuestos y empaquete la batería de tal manera que no se pueda mover alrededor dentro del embalaje.

## GUARDE ESTAS INSTRUCCIONES.

**⚠ ADVERTENCIA:** NO deje que la comodidad o familiaridad con el producto (a base de utilizarlo repetidamente) sustituya la estricta observancia de las normas de seguridad para el producto en cuestión. El MAL USO o el no seguir las normas de seguridad establecidas en este manual de instrucciones podrá ocasionar heridas personales graves.

### Instrucciones de seguridad importantes para el cartucho de batería

1. Antes de utilizar el cartucho de batería, lea todas las instrucciones e indicaciones de precaución sobre (1) el cargador de baterías, (2) la batería, y (3) el producto con el que se utiliza la batería.
2. No desensamble ni manipule el cartucho de batería. Podrá resultar en un incendio, calor excesivo, o una explosión.
3. Si el tiempo de uso se acorta demasiado, cese la operación inmediatamente. Podría resultar en un riesgo de recalentamiento, posibles quemaduras e incluso una explosión.
4. Si entra electrolito en sus ojos, aclárelos con agua limpia y acuda a un médico inmediatamente. Existe el riesgo de poder perder la vista.
5. No cortocircuite el cartucho de batería:
  - (1) No toque los terminales con ningún material conductor.
  - (2) Evite guardar el cartucho de batería en un cajón junto con otros objetos metálicos, como clavos, monedas, etc.
  - (3) No exponga el cartucho de batería al agua ni a la lluvia.
 Un cortocircuito en la batería puede producir una gran circulación de corriente, un recalentamiento, posibles quemaduras e incluso una rotura de la misma.
11. Para desechar el cartucho de batería, retírelo de la herramienta y deséchelo en un lugar seguro. Siga los reglamentos locales referentes al desecho de la batería.
12. Utilice las baterías solamente con los productos especificados por Makita. La instalación de las baterías en productos no compatibles puede resultar en un incendio, calor excesivo, explosión, o fuga de electrolito.
13. Si la herramienta no va a ser utilizada durante un periodo de tiempo largo, la batería deberá ser retirada de la herramienta.
14. Durante y después de la utilización, el cartucho de batería podrá acumular calor, lo cual puede ocasionar quemaduras o quemaduras de baja temperatura. Preste atención al manejo de cartuchos de batería calientes.
15. No toque el terminal de la herramienta inmediatamente después de utilizar, dado que puede calentarse lo suficiente como para ocasionar quemaduras.
16. No permita que virutas, polvo, o tierra se adhieran dentro de los terminales, orificios, y ranuras del cartucho de batería. Podría resultar en un mal rendimiento o rotura de la herramienta o el cartucho de batería.
17. A menos que la herramienta pueda utilizarse cerca de cables eléctricos de alta tensión, no utilice el cartucho de batería cerca de cables eléctricos de alta tensión. Podrá resultar en un mal funcionamiento o rotura de la herramienta o el cartucho de batería.
18. Mantenga la batería alejada de los niños.

## GUARDE ESTAS INSTRUCCIONES.

**⚠PRECAUCIÓN:** Utilice solamente baterías genuinas de Makita. La utilización de baterías no genuinas de Makita, o baterías que han sido alteradas, puede resultar en una explosión de la batería ocasionando incendios, heridas personales y daños. También anulará la garantía de Makita para la herramienta y el cargador de Makita.

## Consejos para alargar al máximo la vida de servicio de la batería

1. Cargue el cartucho de batería antes de que se descargue completamente. Detenga siempre la operación y cargue el cartucho de batería cuando note menos potencia en la herramienta.
2. No cargue nunca un cartucho de batería que esté completamente cargado. La sobrecarga acortará la vida de servicio de la batería.
3. Cargue el cartucho de batería a temperatura ambiente de 10 °C - 40 °C. Si un cartucho de batería está caliente, déjelo enfriar antes de cargarlo.
4. Cuando no esté utilizando el cartucho de batería, retírelo de la herramienta o del cargador.

## DESCRIPCIÓN DE LAS PARTES

► Fig.1

1	Cabezal	2	Botón de ajuste del ángulo	3	Palanca de bloqueo	4	Tuerca manual
5	Empuñadura delantera	6	Empuñadura trasera	7	Cartucho de batería	8	Gatillo interruptor
9	Botón de desbloqueo	10	Cuchillas de tijeras	-	-	-	-

## DESCRIPCIÓN DEL FUNCIONAMIENTO

**⚠PRECAUCIÓN:** Asegúrese siempre de que la herramienta está apagada y el cartucho de batería retirado antes de realizar cualquier ajuste o comprobación en la herramienta.

### Instalación o extracción del cartucho de batería

**⚠PRECAUCIÓN:** Apague siempre la herramienta antes de instalar o retirar el cartucho de batería.

**⚠PRECAUCIÓN:** Sujete la herramienta y el cartucho de batería firmemente cuando instale o retire el cartucho de batería. Si no sujeta la herramienta y el cartucho de batería firmemente podrán caérsele de las manos y resultar en daños a la herramienta y al cartucho de batería y heridas personales.

► Fig.2: 1. Indicador rojo 2. Botón 3. Cartucho de batería

Para retirar el cartucho de batería, deslícelo de la herramienta mientras desliza el botón de la parte frontal del cartucho.

Para instalar el cartucho de batería, alinee la lengüeta del cartucho de batería con la ranura del alojamiento y deslícelo al interior hasta encajarlo en su sitio. Insértelo por completo hasta que se bloquee en su sitio con un pequeño chasquido. Si puede ver el indicador rojo como se muestra en la figura, no estará bloqueado completamente.

**⚠PRECAUCIÓN:** Instale siempre el cartucho de batería completamente hasta que no pueda verse el indicador rojo. En caso contrario, podrá caerse accidentalmente de la herramienta y ocasionarle heridas a usted o a alguien que esté cerca de usted.

**⚠PRECAUCIÓN:** No instale el cartucho de batería empleando fuerza. Si el cartucho no se desliza al interior fácilmente, será porque no está siendo insertado correctamente.

### Modo de indicar la capacidad de batería restante

*Solamente para cartuchos de batería con el indicador*

► Fig.3: 1. Lámparas indicadoras 2. Botón de comprobación

Presione el botón de comprobación en el cartucho de batería para indicar la capacidad de batería restante. Las lámparas indicadoras se iluminan durante unos pocos segundos.

Lámparas de indicación		Capacidad restante
Iluminada	Apagada	
		75% a 100%
		50% a 75%
		25% a 50%
		0% a 25%



**NOTA:** Dependiendo de las condiciones de utilización y de la temperatura ambiente, la indicación podrá variar ligeramente de la capacidad real.

## Sistema de protección de la herramienta / batería

La máquina está equipada con un sistema de protección de la batería. Este sistema corta automáticamente la alimentación del motor para alargar la vida útil de la batería.

La máquina se detendrá automáticamente durante la operación si la máquina y/o la batería son puestas en una de las condiciones siguientes:

### Sobrecargada:

La herramienta es utilizada de una manera que hace que tenga que absorber una corriente anormalmente alta. En esta situación, apague la herramienta y detenga la aplicación que ocasiona la sobrecarga de la herramienta. Después encienda la herramienta para volver a empezar.

Si la herramienta no se pone en marcha, la batería estará recalentada. En esta situación, deje que la batería se enfríe antes de encender la herramienta otra vez.

### Tensión baja en la batería:

La capacidad de batería restante es muy baja y la herramienta no funcionará. Si enciende la herramienta, el motor se pondrá en marcha otra vez pero se parará en seguida. En esta situación, retire la batería y vuelva a cargarla.

## Accionamiento del interruptor

**⚠️ ADVERTENCIA:** Antes de insertar el cartucho de batería en la herramienta, compruebe siempre para cerciorarse de que el gatillo interruptor se acciona debidamente y que vuelve a la posición "OFF" cuando lo suelta.

**⚠️ ADVERTENCIA:** Por su propia seguridad, esta herramienta está equipada con el botón de desbloqueo que evita que la herramienta sea puesta en marcha involuntariamente. No utilice nunca la herramienta si se pone en marcha cuando usted aprieta el gatillo interruptor sin presionar el botón de desbloqueo. Pida a su centro de servicio local de Makita que le hagan las reparaciones.

**⚠️ ADVERTENCIA:** No inhabilite nunca la función de bloqueo o sujete apretado con cinta adhesiva el botón de desbloqueo.

**AVISO:** No apriete con fuerza el gatillo interruptor sin presionar el botón de desbloqueo. El interruptor podrá romperse.

► **Fig.4:** 1. Botón de desbloqueo 2. Gatillo interruptor

Para evitar que el gatillo interruptor pueda ser apretado accidentalmente, se ha provisto un botón de desbloqueo.

Para poner en marcha la herramienta, presione hacia dentro el botón de desbloqueo y apriete el gatillo interruptor. Suelte el gatillo interruptor para parar. El botón de desbloqueo se puede presionar desde el lado derecho o desde el lado izquierdo.

## Ajuste del ángulo de corte

**⚠️ PRECAUCIÓN:** Asegúrese siempre de que la herramienta está apagada antes de plegar o desplegar el cabezal.

**⚠️ PRECAUCIÓN:** Cuando pliegue el cabezal para transportar la herramienta o después de utilizar la herramienta, asegúrese de colocar la cubierta de las cuchillas antes de plegar el cabezal.

**⚠️ PRECAUCIÓN:** Cuando pliegue el cabezal, tenga cuidado de no pillarse los dedos entre el cabezal y el cuerpo de la herramienta.

El ángulo del cabezal se puede ajustar en 10 pasos. Para cambiar el ángulo del cabezal, siga los pasos de abajo.

1. Sujete el cabezal y el cuerpo de la herramienta como se muestra en la figura.  
► **Fig.5:** 1. Cabezal 2. Botón de ajuste del ángulo
2. Ajuste el ángulo del cabezal mientras mantiene presionado el botón de ajuste del ángulo, y después libere el botón de ajuste del ángulo.
3. Mueva el cabezal ligeramente hasta que se bloquee con un chasquido.

**NOTA:** Asegúrese de que el cabezal está bloqueado firmemente antes de operar la herramienta.

## Ajuste de la longitud del tubo

**⚠️ PRECAUCIÓN:** Asegúrese siempre de que la herramienta está apagada antes de ajustar la longitud del tubo.

**⚠️ PRECAUCIÓN:** Cuando ajuste la longitud del tubo, asegúrese de colocar la cubierta de las cuchillas antes de ajustar la longitud del tubo.

**⚠️ PRECAUCIÓN:** Cuando ajuste la longitud del tubo, tenga cuidado de no pillarse los dedos.

**⚠️ PRECAUCIÓN:** Asegúrese de que la palanca de bloqueo está bloqueada firmemente.

Afloje la palanca de bloqueo, después ajuste la longitud del tubo, y después bloquee la palanca de bloqueo.

► **Fig.6:** 1. Palanca de bloqueo

## Ajuste de la posición de la empuñadura delantera

**⚠️ PRECAUCIÓN:** Asegúrese siempre de que la herramienta está apagada antes de ajustar la posición de la empuñadura delantera.

**⚠️ PRECAUCIÓN:** Cuando ajuste la posición de la empuñadura delantera, tenga cuidado de no pillarse los dedos.

**⚠️ PRECAUCIÓN:** Asegúrese de que la tuerca manual está apretada firmemente.

**⚠️ PRECAUCIÓN:** No mueva la empuñadura delantera más allá de la marca de flecha.

Para ajustar la posición de la empuñadura delantera, afloje la tuerca manual girándola hacia la izquierda, después ajuste la posición de la empuñadura delantera, y después apriete la tuerca manual girándola hacia la derecha.

► **Fig.7:** 1. Tuerca manual 2. Marca de flecha

## MONTAJE

**⚠PRECAUCIÓN:** Asegúrese siempre de que la herramienta está apagada y el cartucho de batería retirado antes de realizar cualquier trabajo en la herramienta.

**⚠PRECAUCIÓN:** Cuando reemplace las cuchillas de tijeras, póngase siempre guantes de forma que sus manos no entren en contacto directamente con las cuchillas de tijeras.

### Instalación o desmontaje de las cuchillas de tijeras

**⚠PRECAUCIÓN:** Coloque la cubierta de las cuchillas antes de retirar o instalar las cuchillas de tijeras.

**AVISO:** Cuando reemplace las cuchillas de tijeras, no limpie la grasa del engranaje y el cigüeñal.

**NOTA:** Antes de instalar o retirar las cuchillas de tijeras, despliegue el cabezal de la herramienta de forma que el cabezal quede recto en el cuerpo de la herramienta.

1. Coloque la herramienta cabeza abajo.
2. Retire los 4 tornillos con un destornillador y retire las cuchillas de tijeras.  
► **Fig.8:** 1. Tornillo

3. Retire el cigüeñal de las cuchillas de tijeras.  
► **Fig.9:** 1. Cigüeñal

**NOTA:** El cigüeñal puede permanecer en la herramienta.

4. Prepare el cigüeñal y las cuchillas de tijeras nuevas.  
► **Fig.10:** 1. Cigüeñal 2. Cuchillas de tijeras
5. Retire la cubierta de las cuchillas, y después colóquela en las cuchillas de tijeras nuevas.
6. Aplique una pequeña cantidad de grasa al perímetro del cigüeñal. Coloque la arandela, el engranaje, y el cigüeñal en el pasador en ese orden.  
► **Fig.11:** 1. Cigüeñal 2. Engranaje 3. Arandela 4. Pasador
7. Ajuste el cigüeñal de manera que los 2 agujeros pequeños del cigüeñal estén alineados en la línea de alineación como se muestra en la figura.  
► **Fig.12:** 1. Línea de alineación 2. Agujero pequeño

8. Deslice las cuchillas de tijeras de forma que el agujero de la placa guía quede posicionado en el centro de los anillos de las cuchillas.

► **Fig.13:** 1. Placa guía

9. Inserte el tornillo retirado en el paso 2 en el agujero de las cuchillas de tijeras a través del agujero de la cubierta de las cuchillas.

► **Fig.14:** 1. Agujero

10. Coloque las cuchillas de tijeras en la herramienta, y después apriete los 3 tornillos con el destornillador.

► **Fig.15:** 1. Tornillo

11. Retire el tornillo insertado en el agujero de las cuchillas de tijeras en el paso 9, y después apriételo para fijar las cuchillas de tijeras.

**AVISO:** Si las cuchillas de tijeras no funcionan debidamente, las cuchillas no estarán acoplado el cigüeñal debidamente. Retire las cuchillas e instélaslas otra vez.

**AVISO:** Si hay otras piezas desgastadas aparte de las cuchillas de tijeras tales como el cigüeñal, pregunte en centros de servicio autorizados de Makita por las piezas de repuesto o reparaciones.

### Instalación o desmontaje del receptor de virutas

#### Accesorio opcional

**⚠PRECAUCIÓN:** Cuando instale o retire el receptor de virutas, póngase siempre guantes de manera que sus manos no entren en contacto directamente con las cuchillas de tijeras.

**⚠PRECAUCIÓN:** Coloque la cubierta de las cuchillas antes de instalar o retirar el receptor de virutas.

El receptor de virutas recoge las hojas descartadas y hace que la limpieza después sea mucho más fácil. Se puede instalar en cualquiera de los lados de la herramienta.

1. Alinee los agujeros del receptor de virutas con las tuercas de las cuchillas de tijeras.  
► **Fig.16:** 1. Tuerca

2. Enganche las pestañas del receptor de virutas en la ranura de las cuchillas de tijeras.

► **Fig.17:** 1. Pestaña 2. Ranura

3. Presione las palancas del receptor de virutas, y después enganche las pestañas del otro lado en la ranura de las cuchillas de tijeras.

► **Fig.18:** 1. Palanca

Para retirar el receptor de virutas, presione las palancas para liberar las pestañas.

► **Fig.19:** 1. Palanca

**AVISO:** No intente nunca retirar el receptor de virutas haciendo fuerza excesiva con sus pestañas bloqueadas en las acanaladuras de las cuchillas de tijeras.

# OPERACIÓN

## Operación de la herramienta

**⚠️ ADVERTENCIA:** No utilice la herramienta cerca de ninguna línea eléctrica. El contacto con líneas eléctricas o el uso de la herramienta cerca de ellas puede ocasionar heridas graves o una descarga eléctrica resultando en la muerte.

**⚠️ ADVERTENCIA:** Mantenga las manos alejadas de las cuchillas de tijeras.

**⚠️ ADVERTENCIA:** Tenga mucho cuidado de mantener el control de la herramienta en todo momento. No permita que la herramienta se desvíe hacia usted o hacia cualquiera que se encuentre cerca de usted. No mantener el control de la herramienta puede resultar en heridas graves a los transeúntes y el operario.

**⚠️ PRECAUCIÓN:** Evite operar la herramienta en tiempo muy cálido tanto como sea práctico. Cuando utilice la herramienta, tenga cuidado de su condición física.

**⚠️ PRECAUCIÓN:** Tenga cuidado de no hacer contacto accidental con una valla de metal u otros objetos duros mientras recorta. Las cuchillas de tijeras podrán romperse y ocasionar heridas.

**⚠️ PRECAUCIÓN:** Tenga cuidado de no permitir que las cuchillas de tijeras entren en contacto con el suelo. La herramienta podrá recular y ocasionar heridas.

**⚠️ PRECAUCIÓN:** Recortar con un cortasetos donde no se alcanza, particularmente desde una escalera, es extremadamente peligroso. No trabaje mientras está subido en cualquier cosa tambaleante o inestable.

**AVISO:** No intente cortar ramas más gruesas de 10 mm de diámetro con la herramienta. Corte las ramas a 10 cm por debajo de la altura de corte utilizando cortadores de ramas antes de utilizar la herramienta.

► Fig.20: (1) Altura de corte (2) 10 cm

**AVISO:** No tale árboles muertos u objetos duros similares. Si lo hace podrá dañar la herramienta.

**AVISO:** No recorte hierba o maleza mientras utiliza las cuchillas de tijeras. Las cuchillas de tijeras podrán enredarse en la hierba o maleza.

Sujete la herramienta con ambas manos agarrando la empuñadura delantera y la empuñadura trasera.

► Fig.21: 1. Empuñadura delantera 2. Empuñadura trasera

Apriete el gatillo interruptor mientras presiona el botón de desbloqueo, y después mueva la herramienta hacia delante.

► Fig.22

Para operación básica, incline las cuchillas de tijeras hacia la dirección de recorte y muévalas con calma y despacio a una velocidad de 3 a 4 segundos por metro.

► Fig.23

Para cortar el costado de un seto uniformemente, corte desde abajo hacia arriba.

► Fig.24

Cuando recorte para hacer una forma redonda (recorte de boj o rododendro, etc.), recorte desde la raíz hacia la parte superior para obtener un bonito acabado.

► Fig.25

Si el recibidor de virutas está colocado en las cuchillas de tijeras, recogerá las hojas eliminadas y hará que la limpieza después sea mucho más fácil.

► Fig.26

## MANTENIMIENTO

**⚠️ PRECAUCIÓN:** Asegúrese siempre de que la herramienta está apagada y de que el cartucho de batería está retirado antes de intentar hacer una inspección o mantenimiento.

**⚠️ PRECAUCIÓN:** Cuando inspeccione o haga el mantenimiento a la herramienta, ponga siempre la herramienta en el suelo. Ensamblar o ajustar la herramienta en una posición vertical puede resultar en heridas graves.

Para mantener la SEGURIDAD y FIABILIDAD del producto, las reparaciones, y cualquier otra tarea de mantenimiento o ajuste deberán ser realizadas en centros de servicio o de fábrica autorizados por Makita, empleando siempre repuestos Makita.

## Limpieza de la herramienta

Limpie la herramienta quitando el polvo con un paño seco o uno sumergido en agua jabonosa y escurrido.

**AVISO:** No utilice nunca gasolina, bencina, disolvente, alcohol o similares. Podría producir descoloración, deformación o grietas.

## Mantenimiento de las cuchillas de tijeras

Antes de la operación o una vez por hora durante la operación, aplique aceite de baja viscosidad (aceite para máquinas, o aceite de lubricación de tipo aerosol) a las cuchillas de tijeras.

► Fig.27

Después de la operación, retire el polvo de ambas caras de las cuchillas de tijeras con un cepillo de alambres, limpie las cuchillas con un paño y después aplique aceite de baja viscosidad (aceite para máquinas, o aceite de lubricación de tipo aerosol) a las cuchillas de tijeras.

► Fig.28

**AVISO:** No lave las cuchillas de tijeras en agua. Si lo hace podrá ocasionar oxidación o daño a la herramienta.

**AVISO:** La suciedad y la corrosión ocasionan una fricción excesiva de la cuchilla y acortan el tiempo de operación por cada carga de batería.

## Almacenamiento

Coloque la cubierta de las cuchillas en las cuchillas de tijeras de forma que las cuchillas no queden expuestas. Guarde la herramienta alejada del alcance de los niños. Almacene la herramienta en un lugar no expuesto a la humedad o la lluvia.

## SOLUCIÓN DE PROBLEMAS

Antes de solicitar reparaciones, realice su propia inspección en primer lugar. Si encuentra un problema que no está explicado en el manual, no intente desmontar la herramienta. En su lugar, pregunte en los centros de servicio autorizados Makita, utilizando siempre piezas de recambio Makita para las reparaciones.

Estado de anomalía	Causa probable (mal funcionamiento)	Remedio
El motor no se pone en marcha.	El cartucho de batería no está instalado.	Instale el cartucho de batería.
	Problema de batería (poca tensión)	Recargue la batería. Si la recarga no se realiza efectivamente, reemplace la batería.
	El sistema de accionamiento no funciona correctamente.	Pida a su centro de servicio autorizado local que le hagan la reparación.
El motor se para después de usarlo un poco.	El nivel de carga de la batería es bajo.	Recargue la batería. Si la recarga no se realiza efectivamente, reemplace la batería.
	Recalentamiento.	Deje de utilizar la herramienta para permitir que se enfríe.
La herramienta no alcanza el máximo de RPM.	La batería está instalada incorrectamente.	Instale el cartucho de batería como se describe en este manual.
	La potencia de la batería está cayendo.	Recargue la batería. Si la recarga no se realiza efectivamente, reemplace la batería.
	El sistema de accionamiento no funciona correctamente.	Pida a su centro de servicio autorizado local que le hagan la reparación.
Las cuchillas de tijeras no se mueven: ⇒ ¡detenga la máquina inmediatamente!	Ángulo de las cuchillas de tijeras inapropiado.	Asegúrese de que el cabezal está fijado debidamente en el ángulo de operación.
	Hay objetos extraños enganchados entre las cuchillas de tijeras.	Apague la herramienta y retire el cartucho de batería, y después retire los objetos extraños utilizando utensilios como alicates.
	El sistema de accionamiento no funciona correctamente.	Pida a su centro de servicio autorizado local que le hagan la reparación.
Vibración anormal: ⇒ ¡detenga la máquina inmediatamente!	Las cuchillas de tijeras están rotas, torcidas o gastadas.	Reemplace las cuchillas de tijeras.
	El sistema de accionamiento no funciona correctamente.	Pida a su centro de servicio autorizado local que le hagan la reparación.
Las cuchillas de tijeras y el motor no se pueden parar: ⇒ ¡Retire la batería inmediatamente!	Mal funcionamiento eléctrico.	Retire la batería y pida a su centro de servicio autorizado local que le hagan la reparación.

## ACCESORIOS OPCIONALES

**⚠PRECAUCIÓN:** Estos accesorios o aditamentos están recomendados para su uso con la herramienta Makita especificada en este manual. El uso de cualquier otro accesorio o aditamento puede suponer un riesgo de heridas personales. Utilice el accesorio o aditamento solamente con la finalidad indicada para el mismo.

- Conjunto de cuchilla de tijeras
- Recibidor de virutas
- Tubo de grasa
- Batería y cargador genuinos de Makita

**NOTA:** Algunos elementos de la lista podrán estar incluidos en el paquete de la herramienta como accesorios estándar. Pueden variar de un país a otro.

Si necesita cualquier ayuda para más detalles en relación con estos accesorios, pregunte al centro de servicio Makita local.

## ESPECIFICAÇÕES

Modelo:	UN460WD
Comprimento da lâmina	460 mm
Cursos por minuto	3.600 min <sup>-1</sup>
Ângulo da lâmina de corte	135° (60° para cima, 75° para baixo)
Comprimento total	1.889 - 2.511 mm
Tensão nominal	C. C. 10,8 V - 12 V máx.
Peso líquido	2,8 - 3,0 kg

- Devido a um programa contínuo de pesquisa e desenvolvimento, estas especificações estão sujeitas a alteração sem aviso prévio.
- As especificações podem variar de país para país.
- O peso poderá diferir em função do acessório(s), incluindo a bateria. A combinação mais leve e mais pesada, de acordo com o Procedimento EPTA 01/2014, é apresentada na tabela.

### Bateria e carregador aplicável

Bateria	BL1016 / BL1021B / BL1041B
Carregador	DC10SA / DC10SB / DC10WC / DC10WD / DC18RE

- Algumas das baterias e carregadores listados acima poderão não estar disponíveis, dependendo da sua região de residência.

**AVISO:** Utilize apenas as baterias e carregadores listados acima. A utilização de quaisquer outras baterias e carregadores pode causar ferimentos e/ou um incêndio.

### Símbolos

A seguir são apresentados os símbolos que podem ser utilizados para o equipamento. Certifique-se de que compreende o seu significado antes da utilização.

	Leia o manual de instruções.
	Não exponha à humidade.
	Use capacetes, óculos de proteção e proteção auricular.
	PERIGO - Mantenha as mãos afastadas da lâmina.
	Tenha cuidado com as linhas elétricas, risco de choque elétrico.
	Mantenha uma distância de, pelo menos, 15 m.



Apenas para países da UE  
Devido à presença de componentes perigosos no equipamento, os resíduos de equipamentos elétricos e eletrónicos, acumuladores e baterias podem ter um impacto negativo no meio ambiente e na saúde humana.

Não elimine aparelhos elétricos e eletrónicos ou baterias juntamente com resíduos domésticos!

De acordo com a Diretiva europeia relativa aos resíduos de equipamentos elétricos e eletrónicos, acumuladores e baterias, bem como a respetiva adaptação à legislação nacional, os resíduos de equipamentos elétricos e eletrónicos, acumuladores e baterias devem ser armazenados separadamente e entregues num ponto de recolha separado para resíduos municipais, que opere de acordo com os regulamentos de proteção ambiental.

Tal é indicado pelo símbolo de contendor de lixo com rodas barrado com uma cruz colocado no equipamento.



Nível de potência sonora garantido de acordo com a Diretiva de ruído ambiente da UE.



Nível de potência sonora de acordo com o Regulamento de controlo do ruído de NSW da Austrália

### Utilização a que se destina

A ferramenta destina-se a aparar sebes.

## Ruído

A característica do nível de ruído A determinado de acordo com a EN62841-4-2:

Nível de pressão acústica ( $L_{pA}$ ): 74 dB (A)

Variabilidade (K): 3 dB (A)

O nível de ruído durante o funcionamento pode exceder 80 dB (A).

**NOTA:** O(s) valor(es) da emissão de ruído indicado(s) foi medido de acordo com um método de teste padrão e pode ser utilizado para comparar duas ferramentas.

**NOTA:** O(s) valor(es) da emissão de ruído indicado(s) pode também ser utilizado na avaliação preliminar da exposição.

**AVISO:** Utilize protetores auriculares.

**AVISO:** A emissão de ruído durante a utilização real da ferramenta elétrica pode diferir do(s) valor(es) indicado(s), dependendo das formas como a ferramenta é utilizada, especialmente o tipo de peça de trabalho que é processada.

**AVISO:** Certifique-se de identificar as medidas de segurança para proteção do operador que sejam baseadas em uma estimativa de exposição em condições reais de utilização (considerando todas as partes do ciclo de operação, tal como quando a ferramenta está desligada e quando está a funcionar em marcha lenta além do tempo de acionamento).

## Vibração

Padrão aplicável: EN62841-4-2

Mão esquerda (punho dianteiro)		Pega direita (punho traseiro)	
$a_h$ ( $m/s^2$ )	K de incerteza ( $m/s^2$ )	$a_h$ ( $m/s^2$ )	K de incerteza ( $m/s^2$ )
2,5 $m/s^2$ ou menos	1,5	2,5 $m/s^2$ ou menos	1,5

**NOTA:** O(s) valor(es) total(ais) de vibração indicado(s) foi medido de acordo com um método de teste padrão e pode ser utilizado para comparar duas ferramentas.

**NOTA:** O(s) valor(es) total(ais) de vibração indicado(s) pode também ser utilizado na avaliação preliminar da exposição.

**AVISO:** A emissão de vibração durante a utilização real da ferramenta elétrica pode diferir do(s) valor(es) indicado(s), dependendo das formas como a ferramenta é utilizada, especialmente o tipo de peça de trabalho que é processada.

**AVISO:** Certifique-se de identificar as medidas de segurança para proteção do operador que sejam baseadas em uma estimativa de exposição em condições reais de utilização (considerando todas as partes do ciclo de operação, tal como quando a ferramenta está desligada e quando está a funcionar em marcha lenta além do tempo de acionamento).

## Declaração de conformidade da CE

*Apenas para os países europeus*

A declaração de conformidade da CE está incluída como Anexo A neste manual de instruções.

## AVISOS DE SEGURANÇA

### Avisos gerais de segurança para ferramentas elétricas

**AVISO:** Leia todos os avisos de segurança, instruções, ilustrações e especificações fornecidos com esta ferramenta elétrica. O não cumprimento de todas as instruções indicadas em baixo pode resultar em choque elétrico, incêndio e/ou ferimentos graves.

### Guarde todos os avisos e instruções para futuras referências.

O termo "ferramenta elétrica" nos avisos refere-se às ferramentas elétricas ligadas à corrente elétrica (com cabo) ou às ferramentas elétricas operadas por meio de bateria (sem cabo).

### Avisos de segurança para o aparador de cerca viva a bateria

1. **Mantenha todas as partes do corpo afastadas da lâmina. Não remova material cortado nem segure material a cortar quando as lâminas estiverem em movimento.** As lâminas continuam a mover-se depois de desligar o interruptor. Um momento de desatenção durante a operação do aparador de cerca viva pode resultar em ferimentos pessoais graves.
2. **Transporte o aparador de cerca viva segurando a pega com a lâmina imobilizada e tendo cuidado para não operar qualquer interruptor de alimentação.** O transporte apropriado do aparador de cerca viva reduz o risco de arranques inadvertidos e consequentes ferimentos pessoais provocados pelas lâminas.
3. **Quando transportar ou guardar o aparador de cerca viva, coloque sempre a tampa da lâmina.** O manuseamento apropriado do aparador de cerca viva reduz o risco de ferimentos pessoais provocados pelas lâminas.
4. **Ao limpar material encravado ou ao realizar a manutenção da unidade, certifique-se de que todos os interruptores de alimentação estão desligados e que o conjunto de baterias foi removido ou está desligado.** A atuação inesperada do aparador de cerca viva, ao limpar material encravado ou ao realizar a manutenção, pode resultar em ferimentos pessoais graves.

5. **Segure o aparador de cerca viva apenas pelas superfícies de agarrar isoladas, porque a lâmina poderá tocar em fios ocultos.** As lâminas que tocam num fio sob tensão poderão colocar sob tensão as peças metálicas expostas do aparador de cerca viva e podem provocar um choque elétrico no operador.
  6. **Mantenha todos os cabos de alimentação afastados da área de corte.** Os cabos de alimentação podem estar ocultos em sebes ou arbustos e podem ser acidentalmente cortados pela lâmina.
  7. **Não utilize o aparador de cerca viva em más condições atmosféricas, especialmente quando existe o risco de relâmpagos.** Isto reduz o risco de ser atingido por um relâmpago.
  8. **Para reduzir o risco de eletrocussão, nunca utilize o aparador de cerca viva junto de linhas elétricas.** O contacto com, ou a utilização junto de, linhas elétricas pode causar ferimentos graves ou um choque elétrico que resulte em morte.
  9. **Utilize sempre as duas mãos quando utilizar o aparador de cerca viva.** Segure o aparador de cerca viva com as duas mãos para evitar a perda de controlo.
  10. **Utilize sempre proteção para a cabeça quando utilizar o aparador de cerca viva acima da cabeça.** A queda de detritos pode resultar em ferimentos pessoais graves.
9. **Antes de iniciar o trabalho, verifique se o aparador apresenta condições de trabalho adequadas e seguras.** Assegure que os resguardos estão corretamente instalados. O aparador de cerca viva não deve ser utilizado se não estiver completamente montado.
  10. **Evite ambientes perigosos.** Não utilize a ferramenta em locais húmidos ou molhados, nem a exponha à chuva. A água que entra na ferramenta aumenta o risco de choque elétrico.

#### Equipamento de proteção pessoal

1. As luvas de trabalho de couro robusto fazem parte do equipamento básico do aparador de cerca viva e têm de ser sempre usadas quando trabalhar com esta ferramenta. Use sempre calçado robusto com solas antideslizantes.
2. Use proteção auditiva, tais como tampões para os ouvidos, para evitar a perda de audição.
3. Use óculos de proteção, capacete de proteção e luvas de proteção para proteger-se contra detritos arremessados ou queda de objetos.
4. Use luvas de proteção quando tocar nas lâminas ou ajustar o ângulo da lâmina. As lâminas podem cortar as mãos gravemente.

#### Operação

1. **Utilize sempre as duas mãos para operar a ferramenta.** A utilização de uma mão pode provocar a perda de controlo e resultar em ferimentos pessoais graves.
2. **Enquanto opera a ferramenta, certifique-se sempre de que a posição de operação é segura e estável.** Esticar-se para alcançar um local com a ferramenta, particularmente desde uma escada, é extremamente perigoso. Não trabalhe a partir de um suporte trémulo ou instável.
3. **Não utilize simultaneamente vários arneses para o cinto e/ou arneses para o ombro quando operar a ferramenta.**
4. **Durante a operação, mantenha os espetadores ou animais a, pelo menos, 15 m de distância da ferramenta.** Pare a ferramenta assim que alguém se aproximar.
5. **Se a ferramenta de corte bater em algum objeto ou se a ferramenta começar a fazer um ruído ou uma vibração fora do normal, desligue a ferramenta e remova a bateria imediatamente, e deixe a ferramenta parar.** Em seguida, realize os passos seguintes:
  - inspecione quanto a danos,
  - verifique se há peças soltas e aperte-as,
  - solicite a substituição de quaisquer peças danificadas por peças sobressalentes genuínas ou a respetiva reparação com peças sobressalentes genuínas.
6. **Utilize apenas a ferramenta para a respetiva finalidade pretendida.** Não utilize a ferramenta para qualquer outra finalidade.
7. **Desligue a ferramenta e remova a bateria antes de:**
  - limpar ou ao desimpedir um bloqueio,
  - verificar, realizar a manutenção ou trabalhar na ferramenta,
  - ajustar a posição de trabalho das lâminas de corte,
  - deixar a ferramenta sem supervisão.

## Instruções de segurança adicionais

### Preparação

1. **ESTE APARADOR DE CERCA VIVA PODE PROVOCAR FERIMENTOS GRAVES.** Leia atentamente as instruções para o manuseamento, a preparação, a manutenção, o arranque e a paragem corretos da ferramenta. Familiarize-se com todos os controlos e a utilização adequada da ferramenta.
2. **Verifique as sebes e os arbustos quanto a objetos estranhos, tais como cercas de arame ou fios ocultos antes de utilizar a ferramenta.**
3. **O aparador de cerca viva não deve ser utilizado por crianças ou jovens com idade inferior a 18 anos.** Os jovens com mais de 16 anos poderão estar isentos desta restrição se estiverem a receber formação sob a supervisão de um utilizador experiente.
4. **Caso ocorra uma emergência, desligue a ferramenta e remova a bateria imediatamente.**
5. **PERIGO - Mantenha as mãos afastadas da lâmina.** O contacto com a lâmina resultará em lesões físicas graves.
6. **As pessoas que utilizam a ferramenta pela primeira vez devem ser instruídas por um utilizador experiente capaz de lhes demonstrar como utilizar a ferramenta.**
7. **Antes da operação, examine a área de trabalho para ver se há cercas de arame, pedras ou outros objetos sólidos.** Estes podem danificar as lâminas.
8. **Utilize o aparador de cerca viva apenas se estiver em boas condições físicas.** Se estiver cansado, a sua atenção será reduzida. Tenha especial atenção no final de um dia de trabalho. Realize todo o trabalho com calma e cuidado. O utilizador é responsável por todos os danos causados a terceiros.



8. **Certifique-se de que a ferramenta está corretamente localizada numa posição de trabalho designada antes de arrancar a ferramenta.**
9. **Não opere a ferramenta com lâminas de corte danificadas ou excessivamente desgastadas.**
10. **Esteja sempre atento à área circundante e mantenha-se alerta quanto a possíveis perigos dos quais pode não estar ciente devido ao ruído da ferramenta.**
11. **Tenha cuidado para não tocar acidentalmente numa cerca de metal ou noutros objetos duros durante a operação.** A lâmina parte-se e pode causar ferimentos graves.
12. **Evite o arranque involuntário. Não transporte a ferramenta quando a bateria está instalada e com o dedo no interruptor. Certifique-se de que o interruptor está desligado quando instalar a bateria.**
13. **Não agarre as lâminas de corte expostas nem os bordos cortantes quando levantar ou segurar a ferramenta.**
14. **Não force a ferramenta.** Fará o trabalho melhor e com menor probabilidade de risco de ferimentos à velocidade para a qual foi concebida.
15. **Não utilize a ferramenta sob precipitação nem em condições chuvosas ou de muita humidade.** O motor elétrico não é estanque.
16. **Agarre a ferramenta com firmeza durante a sua utilização.**
17. **Não opere a ferramenta sem carga desnecessariamente.**
18. **Antes de verificar as lâminas de corte, reparar avarias ou remover objetos estranhos presos nas lâminas de corte, desligue sempre a ferramenta e remova a bateria.**
19. **Nunca aponte as lâminas de corte na sua direção ou na direção de terceiros.**
20. **Se as lâminas pararem devido ao encravamento de objetos estranhos entre as lâminas durante o funcionamento, desligue a ferramenta e remova a bateria e, em seguida, remova os objetos estranhos utilizando ferramentas, tais como um alicate.** A remoção manual dos objetos estranhos pode causar ferimentos, uma vez que as lâminas podem mover-se como reação à remoção dos objetos estranhos.


#### **Segurança elétrica e da bateria**

1. **Evite ambientes perigosos. Não utilize a ferramenta em locais húmidos ou molhados, nem a exponha à chuva.** A água que entra na ferramenta aumenta o risco de choque elétrico.
2. **Não elimine a(s) bateria(s) no fogo.** A célula pode explodir. Verifique com os códigos locais as possíveis instruções de eliminação especiais.
3. **Não abra nem mutila a(s) bateria(s).** O eletrólito libertado é corrosivo e pode provocar danos nos olhos ou na pele. Pode ser tóxico se for engolido.
4. **Não carregue a bateria sob chuva ou em locais húmidos.**
5. **Não carregue a bateria ao ar livre.**
6. **Não toque no carregador, incluindo a ficha do carregador e os terminais do carregador, com as mãos molhadas.**

#### **Manutenção e armazenamento**

1. **Quando a ferramenta estiver parada para manutenção, inspeção ou armazenamento, desligue a ferramenta e remova a bateria, e certifique-se de que todas as peças móveis pararam.** Deixe a ferramenta arrefecer antes de realizar quaisquer inspeções, ajustes, etc.
2. **Deixe sempre a ferramenta arrefecer antes do armazenamento.**
3. **Quando não estiver em utilização, prenda a tampa da lâmina na ferramenta e guarde a ferramenta num local interior, seco, alto e trancado, longe do alcance das crianças.**
4. **Conserve a ferramenta com cuidado.** Mantenha o bordo cortante afiado e limpo para obter um melhor desempenho e para reduzir o risco de ferimentos. Siga as instruções para lubrificar e substituir acessórios. Mantenha os punhos secos, limpos e sem óleo ou massa lubrificante.
5. **Verifique as peças danificadas.** Antes de continuar a utilizar a ferramenta, qualquer peça danificada deve ser cuidadosamente verificada para determinar se funcionará adequadamente e realizará a função pretendida. Verifique o alinhamento das peças móveis, a união das peças móveis, a quebra de peças, a montagem e quaisquer outras condições que possam afetar o seu funcionamento. Um resguardo ou outra peça que estejam danificados devem ser reparados adequadamente ou substituídos pelo seu centro de assistência autorizado.
6. **Utilize apenas peças sobressalentes genuínas.**
7. **Quando mover a ferramenta para outro local, incluindo durante o trabalho, remova sempre a bateria e coloque a tampa da lâmina nas lâminas de corte. Nunca carregue nem transporte a ferramenta com as lâminas em funcionamento. Nunca agarre as lâminas com as mãos.**
8. **Limpe a ferramenta, e especialmente as lâminas de corte, após a utilização e antes de armazenar a ferramenta por períodos prolongados.** Lubrifique ligeiramente as lâminas de corte e coloque a tampa da lâmina.
9. **Não elimine a(s) bateria(s) no fogo.** A célula pode explodir. Verifique com os códigos locais as possíveis instruções de eliminação especiais.
10. **Não abra nem mutila a(s) bateria(s).** O eletrólito libertado é corrosivo e pode provocar danos nos olhos ou na pele. Pode ser tóxico se for engolido.
11. **Não carregue a bateria sob chuva ou em locais húmidos.**

### **GUARDE ESTAS INSTRUÇÕES.**

 **AVISO:** NÃO permita que conforto ou familiaridade com o produto (adquirido com o uso repetido) substitua a aderência estrita às regras de segurança da ferramenta. **MÁ INTERPRETAÇÃO** ou não seguimento das regras de segurança estabelecidas neste manual de instruções pode causar danos pessoais sérios.

## Instruções de segurança importantes para a bateria

- Antes de utilizar a bateria, leia todas as instruções e etiquetas de precaução no (1) carregador de bateria (2) bateria e (3) produto que utiliza a bateria.
- Não desmonte ou manipule a bateria. Pode resultar num incêndio, em calor excessivo ou numa explosão.
- Se o tempo de funcionamento se tornar excessivamente curto, pare o funcionamento imediatamente. Pode resultar em sobreaquecimento, possíveis queimaduras e mesmo explosão.
- Se entrar eletrólito nos seus olhos, lave-os com água e consulte imediatamente um médico. Pode resultar em perda de visão.
- Não coloque a bateria em curto-circuito:
  - Não toque nos terminais com qualquer material condutor.
  - Evite guardar a bateria juntamente com outros objetos metálicos tais como pregos, moedas, etc.
  - Não exponha a bateria à água ou chuva. Um curto-circuito pode ocasionar um enorme fluxo de corrente, sobreaquecimento, possíveis queimaduras e mesmo estragar-se.
- Não guarde nem utilize a ferramenta e a bateria em locais onde a temperatura pode atingir ou exceder 50 °C.
- Não queime a bateria mesmo que esteja estragada ou completamente gasta. A bateria pode explodir no fogo.
- Não pree, corte, esmague, atire, deixe cair a bateria, nem bata a bateria contra um objeto rijo. Esta conduta pode resultar num incêndio, em calor excessivo ou numa explosão.
- Não utilize uma bateria danificada.
- As baterias de íões de lítio contidas na ferramenta são sujeitas aos requisitos da DGL (Dangerous Goods Legislation - Legislação de bens perigosos).  
Para o transporte comercial, por exemplo, por terceiros ou agentes de expedição, têm de ser observados os requisitos referentes à embalagem e etiquetagem. Para preparação do artigo a ser expedido, é necessário consultar um perito em materiais perigosos. Tenha ainda em conta a possibilidade de existirem regulamentos nacionais mais detalhados. Coloque fita-cola ou tape os contactos abertos e embale a bateria de tal forma que não possa mover-se dentro da embalagem.
- Quando eliminar a bateria, remova-a da ferramenta e elimine-a num local seguro. Siga os regulamentos locais relacionados com a eliminação de baterias.
- Utilize as baterias apenas com os produtos especificados pela Makita. Instalar as baterias em produtos não-conformes poderá resultar num incêndio, calor excessivo, explosão ou fuga de eletrólito.
- Se a ferramenta não for utilizada durante um período de tempo prolongado, a bateria deve ser removida da ferramenta.
- Durante e após a utilização, a bateria pode aquecer, o que pode provocar queimaduras ou queimaduras a baixa temperatura. Preste atenção ao manuseamento de baterias quentes.
- Não toque no terminal da ferramenta imediatamente após a utilização, pois pode ficar suficientemente quente para provocar queimaduras.
- Não permita a adesão de aparas, pó ou sujidade nos terminais, nos orifícios e nas ranhuras da bateria. Pode resultar no fraco desempenho ou na avaria da ferramenta ou bateria.
- A menos que a ferramenta suporte a utilização perto de linhas elétricas de alta tensão, não utilize a bateria perto de linhas elétricas de alta tensão. Pode resultar no mau funcionamento ou na avaria da ferramenta ou bateria.
- Mantenha a bateria afastada das crianças.

## GUARDE ESTAS INSTRUÇÕES.

**⚠️PRECAUÇÃO:** Utilize apenas baterias genuínas da Makita. A utilização de baterias não genuínas da Makita ou de baterias que foram alteradas, pode resultar no rebentamento da bateria provocando incêndios, ferimentos pessoais e danos. Além disso, anulará da garantia da Makita no que se refere à ferramenta e ao carregador Makita.

## Conselhos para manter a máxima vida útil da bateria

- Carregue a bateria antes que esteja completamente descarregada. Pare sempre o funcionamento da ferramenta e carregue a bateria quando notar menos poder na ferramenta.
- Nunca carregue uma bateria completamente carregada. Carregamento excessivo diminui a vida útil da bateria.
- Carregue a bateria à temperatura ambiente de 10 °C – 40 °C. Deixe que uma bateria quente arrefeça antes de a carregar.
- Quando não utilizar a bateria, remova-a da ferramenta ou do carregador.

## DESCRIÇÃO DAS PEÇAS

► Fig.1

1	Cabeça	2	Botão de ajuste do ângulo	3	Alavanca de bloqueio	4	Porca recartilhada
5	Punho dianteiro	6	Punho traseiro	7	Bateria	8	Gatilho
9	Botão de desbloqueio	10	Lâminas de corte	-	-	-	-

## DESCRIÇÃO FUNCIONAL

**⚠️ PRECAUÇÃO:** Certifique-se sempre de que a ferramenta está desligada e a bateria foi retirada antes de regular ou verificar qualquer função na ferramenta.

## Instalação ou remoção da bateria

**⚠️ PRECAUÇÃO:** Desligue sempre a ferramenta antes de colocar ou retirar a bateria.

**⚠️ PRECAUÇÃO:** Segure firmemente a ferramenta e a bateria quando instalar ou remover a bateria. Se não segurar firmemente a ferramenta e a bateria pode fazer com que escorreguem das suas mãos resultando em danos na ferramenta e na bateria e ferimentos pessoais.

► **Fig.2:** 1. Indicador vermelho 2. Botão 3. Bateria

Para retirar a bateria, deslize-a para fora da ferramenta enquanto desliza o botão na frente da bateria.

Para instalar a bateria, alinhe a lingueta na bateria com a ranhura na caixa e deslize-a para a posição correta. Insira-a por completo até bloquear na posição correta com um pequeno clique. Se conseguir ver o indicador vermelho conforme apresentado na figura, não está completamente bloqueada.

**⚠️ PRECAUÇÃO:** Instale sempre a bateria até ao fim, até deixar de ver o indicador vermelho.

Caso contrário, a bateria poderá cair da ferramenta acidentalmente e provocar ferimentos em si mesmo ou em alguém próximo.

**⚠️ PRECAUÇÃO:** Não instale a bateria à força. Se a bateria não deslizar facilmente é porque não foi colocada corretamente.

## Indicação da capacidade restante da bateria

**Apenas para baterias com indicador**

► **Fig.3:** 1. Luzes indicadoras 2. Botão de verificação

Prima o botão de verificação na bateria para indicar a capacidade restante da bateria. As luzes indicadoras acendem durante alguns segundos.

Luzes indicadoras		Carga restante
Aceso	Desligada	
		75% a 100%
		50% a 75%
		25% a 50%
		0% a 25%

**NOTA:** Dependendo das condições de utilização e da temperatura ambiente, a indicação pode ser ligeiramente diferente da capacidade real.

## Sistema de proteção da ferramenta/bateria

A máquina está equipada com um sistema de proteção da bateria. Este sistema corta automaticamente a energia para o motor a fim de prolongar a vida útil da bateria. A máquina para automaticamente durante o funcionamento se a máquina e/ou a bateria for(em) colocada(s) numa das seguintes condições:

### Sobrecarga:

A ferramenta é utilizada de uma forma que causa a absorção de uma corrente anormalmente alta. Nesta situação, desligue a ferramenta e pare a aplicação que causou a sobrecarga da ferramenta. De seguida, ligue a ferramenta para reiniciar. Se a ferramenta não arrancar, a bateria está sobrecarregada. Nesta situação, deixe a bateria arrefecer antes de voltar a ligar a ferramenta.

### Baixa tensão da bateria:

A restante capacidade da bateria é demasiado baixa e a ferramenta não irá operar. Se ligar a ferramenta, o motor opera novamente mas para momentos depois. Nesta situação, remova e recarregue a bateria.

## Ação do interruptor

**⚠️ AVISO:** Antes de colocar a bateria na ferramenta, verifique sempre se o gatilho do interruptor funciona corretamente e volta para a posição "OFF" quando libertado.

**⚠️ AVISO:** Para sua segurança, esta ferramenta está equipada com o botão de desbloqueio que impede que a ferramenta efetue o arranque inadvertidamente. Nunca utilize a ferramenta se esta efetuar o arranque quando puxa o gatilho do interruptor sem pressionar o botão de desbloqueio. Peça a reparação no centro de assistência Makita local.

**⚠️ AVISO:** Nunca desative a função de bloqueio ou tape o botão de desbloqueio com fita adesiva.

**OBSERVAÇÃO:** Não puxe o gatilho do interruptor à força sem pressionar o botão de desbloqueio. O interruptor pode partir.

► **Fig.4:** 1. Botão de desbloqueio 2. Gatilho

Para evitar que o gatilho do interruptor seja puxado acidentalmente, existe um botão de desbloqueio. Para efetuar o arranque da ferramenta, pressione o botão de desbloqueio e puxe o gatilho do interruptor. Solte o gatilho do interruptor para parar. O botão de desbloqueio pode ser pressionado a partir da direita ou da esquerda.

## Ajustar o ângulo de corte

**⚠️ PRECAUÇÃO:** Certifique-se sempre de que a ferramenta está desligada antes de dobrar ou desdobrar a cabeça.

**⚠️ PRECAUÇÃO:** Quando dobrar a cabeça para transportar a ferramenta ou após utilizar a ferramenta, certifique-se de que prende a tampa da lâmina antes de dobrar a cabeça.

**⚠️ PRECAUÇÃO:** Quando dobrar a cabeça, tenha cuidado para não prender os dedos entre a cabeça e o corpo da ferramenta.

O ângulo da cabeça pode ser ajustado em 10 passos. Para alterar o ângulo da cabeça, siga os passos seguintes.

1. Segure a cabeça e o corpo da ferramenta conforme apresentado na figura.

► **Fig.5:** 1. Cabeça 2. Botão de ajuste do ângulo

2. Ajuste o ângulo da cabeça enquanto pressiona o botão de ajuste do ângulo para baixo e, em seguida, solte o botão de ajuste do ângulo.

3. Mova a cabeça ligeiramente até ficar bloqueada com um clique.

**NOTA:** Certifique-se de que a cabeça está firmemente bloqueada antes de utilizar a ferramenta.

## Ajustar o comprimento do tubo

**⚠PRECAUÇÃO:** Certifique-se sempre de que a ferramenta está desligada antes de ajustar o comprimento do tubo.

**⚠PRECAUÇÃO:** Quando ajustar o comprimento do tubo, certifique-se de que prende a tampa da lâmina antes de ajustar o comprimento do tubo.

**⚠PRECAUÇÃO:** Quando ajustar o comprimento do tubo, tenha cuidado para não prender os dedos.

**⚠PRECAUÇÃO:** Certifique-se de que a alavanca de bloqueio está firmemente bloqueada.

Solte a alavanca de bloqueio, depois ajuste o comprimento do tubo e, em seguida, bloqueie a alavanca de bloqueio.

► **Fig.6:** 1. Alavanca de bloqueio

## Ajustar a posição do punho dianteiro

**⚠PRECAUÇÃO:** Certifique-se sempre de que a ferramenta está desligada antes de ajustar a posição do punho dianteiro.

**⚠PRECAUÇÃO:** Quando ajustar a posição do punho dianteiro, tenha cuidado para não prender os dedos.

**⚠PRECAUÇÃO:** Certifique-se de que a porca recartilhada está firmemente apertada.

**⚠PRECAUÇÃO:** Não mova o punho dianteiro além da marca da seta.

Para ajustar a posição do punho dianteiro, solte a porca recartilhada rodando-a para a esquerda, depois ajuste a posição do punho dianteiro e, em seguida, aperte a porca recartilhada rodando-a para a direita.

► **Fig.7:** 1. Porca recartilhada 2. Marca da seta

# MONTAGEM

**⚠PRECAUÇÃO:** Certifique-se sempre de que a ferramenta está desligada e a bateria retirada antes de executar qualquer trabalho na ferramenta.

**⚠PRECAUÇÃO:** Quando substituir as lâminas de corte, use sempre luvas, de modo a que as suas mãos não fiquem em contacto direto com as lâminas.

## Instalar ou remover as lâminas de corte

**⚠PRECAUÇÃO:** Acople a tampa da lâmina antes de remover ou instalar as lâminas de corte.

**OBSERVAÇÃO:** Quando substituir as lâminas de corte, não limpe a massa lubrificante da engrenagem e da manivela.

**NOTA:** Antes de instalar ou remover as lâminas de corte, desdobre a cabeça da ferramenta de modo que a cabeça fique reta ao corpo da ferramenta.

1. Coloque a ferramenta virada para baixo.
2. Remova 4 parafusos com uma chave de fendas e remova as lâminas de corte.

► **Fig.8:** 1. Parafuso

3. Remova a manivela das lâminas de corte.

► **Fig.9:** 1. Manivela

**NOTA:** A manivela pode permanecer na ferramenta.

4. Prepare a manivela e as novas lâminas de corte.
- **Fig.10:** 1. Manivela 2. Lâminas de corte

5. Remova a tampa da lâmina e, em seguida, prenda-a às lâminas de corte novas.

6. Aplique uma pequena quantidade de massa lubrificante na periferia da manivela. Prenda a anilha, a engrenagem e a manivela no pino por esta ordem.

► **Fig.11:** 1. Manivela 2. Engrenagem 3. Anilha 4. Pino

7. Ajuste a manivela de modo que os 2 orifícios pequenos na manivela fiquem alinhados na linha de alinhamento conforme apresentado na figura.

► **Fig.12:** 1. Linha de alinhamento 2. Orifício pequeno

8. Deslize as lâminas de corte de modo que o orifício na chapa guia fique posicionado no centro dos anéis das lâminas.

► **Fig.13:** 1. Chapa guia

9. Insira o parafuso removido no passo 2 no orifício nas lâminas de corte através do orifício na tampa da lâmina.

► **Fig.14:** 1. Orifício

10. Prenda as lâminas de corte na ferramenta e, em seguida, aperte 3 parafusos com a chave de fendas.

► **Fig.15:** 1. Parafuso

11. Remova o parafuso inserido no orifício nas lâminas de corte no passo 9 e, em seguida, aperte-o para fixar as lâminas de corte.

**OBSERVAÇÃO:** Se as lâminas de corte não operarem corretamente, as lâminas não estão a engatar corretamente na manivela. Remova as lâminas e instale-as novamente.

**OBSERVAÇÃO:** Se as peças além das lâminas de corte, tais como a manivela estiverem desgastadas, solicite substituições de peças ou reparações aos centros de assistência autorizados da Makita.

## Instalar ou remover o recipiente de aparas

### Acessório opcional

**PRECAUÇÃO:** Quando instalar ou remover o recipiente de aparas, use sempre luvas, de modo a que as suas mãos não fiquem em contacto direto com as lâminas de corte.

**PRECAUÇÃO:** Prenda a tampa da lâmina antes de instalar ou remover o recipiente de aparas.

O recipiente de aparas recolhe folhas caídas e torna a limpeza posterior muito mais fácil. Pode ser instalado em ambos os lados da ferramenta.

1. Alinhe os orifícios no recipiente de aparas com as porcas nas lâminas de corte.

► **Fig.16:** 1. Porca

2. Enganche as garras do recipiente de aparas na ranhura nas lâminas de corte.

► **Fig.17:** 1. Garra 2. Ranhura

3. Pressione as alavancas no recipiente de aparas e, em seguida, enganche as garras do lado oposto na ranhura nas lâminas de corte.

► **Fig.18:** 1. Alavanca

Para remover o recipiente de aparas, pressione as alavancas para soltar as garras.

► **Fig.19:** 1. Alavanca

**OBSERVAÇÃO:** Nunca tente remover o recipiente de aparas exercendo força excessiva com as respetivas garras bloqueadas nas ranhuras das lâminas de corte.

## OPERAÇÃO

### Operar a ferramenta

**AVISO:** Não utilize a ferramenta junto de linhas elétricas. O contacto com linhas elétricas ou a utilização da ferramenta junto de linhas elétricas pode causar ferimentos graves ou um choque elétrico que resulte em morte.

**AVISO:** Mantenha as mãos afastadas das lâminas de corte.

**AVISO:** Tenha extremo cuidado para manter o controlo da ferramenta em todos os momentos. Não permita que a ferramenta se desvie na sua direção ou na de outras pessoas nas proximidades do trabalho. Se não conseguir manter o controlo da ferramenta, pode provocar ferimentos graves nos espetadores e no operador.

**PRECAUÇÃO:** Evite operar a ferramenta em condições atmosféricas muito quentes tanto quanto seja possível. Quando operar a ferramenta, tenha cuidado com a sua condição física.

**PRECAUÇÃO:** Tenha cuidado para não tocar acidentalmente numa cerca de metal ou noutro objeto duro enquanto estiver a aparar. As lâminas de corte podem partir e causar ferimentos.

**PRECAUÇÃO:** Tenha cuidado para não deixar que as lâminas de corte toquem no solo. A ferramenta pode recuar e causar ferimentos.

**PRECAUÇÃO:** Esticar-se para alcançar um local com o aparador de cerca viva, particularmente desde uma escada, é extremamente perigoso. Não trabalhe se estiver posicionado sobre um suporte trêmulo ou instável.

**OBSERVAÇÃO:** Não tente cortar ramos mais grossos do que 10 mm de diâmetro com a ferramenta. Apare ramos 10 cm mais baixo do que a altura de corte utilizando lâminas para ramos antes de utilizar a ferramenta.

► **Fig.20:** (1) Altura de corte (2) 10 cm

**OBSERVAÇÃO:** Não corte árvores secas ou objetos duros similares. Ao fazê-lo pode causar danos na ferramenta.

**OBSERVAÇÃO:** Não apare a relva ou ervas enquanto estiver a utilizar as lâminas de corte. As lâminas de corte poderão ficar emaranhadas na relva ou nas ervas.

Segure a ferramenta com as duas mãos segurando o punho dianteiro e o punho traseiro.

► **Fig.21:** 1. Punho dianteiro 2. Punho traseiro

Puxe o gatilho do interruptor enquanto pressiona o botão de desbloqueio e, em seguida, mova a ferramenta para a frente.

► **Fig.22**

Para o funcionamento básico, incline as lâminas de corte em direção ao sentido de aparar e mova-as calma e lentamente à velocidade de 3 a 4 segundos por metro.

► **Fig.23**

Para cortar o lado de uma cerca uniformemente, corte a partir da parte inferior até ao topo.

► **Fig.24**

Quando aparar para moldar uma forma redonda (aparar por buxo ou rododendro, etc.), apare desde a raiz até ao topo para obter um acabamento bonito.

► **Fig.25**

Se o recipiente de aparas estiver acoplado às lâminas de corte, este recolhe folhas caídas e torna a limpeza posterior muito mais fácil.

► **Fig.26**

# MANUTENÇÃO

**⚠️ PRECAUÇÃO:** Certifique-se sempre de que a ferramenta se encontra desligada e de que a bateria foi retirada antes de executar qualquer inspeção ou manutenção.

**⚠️ PRECAUÇÃO:** Quando inspecionar ou realizar a manutenção da ferramenta, coloque sempre a ferramenta em baixo. Montar ou ajustar a ferramenta na vertical pode resultar em ferimentos graves.

Para manter a SEGURANÇA e a FIABILIDADE do produto, as reparações e qualquer outra manutenção ou ajuste devem ser levados a cabo pelos centros de assistência Makita autorizados ou pelos centros de assistência de fábrica, utilizando sempre peças de substituição Makita.

## Limpar a ferramenta

Limpe a ferramenta, limpando o pó com um pano seco ou um pano humedecido em água com detergente e torcido.

**OBSERVAÇÃO:** Nunca utilize gasolina, benzina, diluente, álcool ou produtos semelhantes. Pode ocorrer a descoloração, deformação ou rachaduras.

## Manutenção da lâmina de corte

Antes da operação ou uma vez por hora durante a operação, aplique óleo de baixa viscosidade (óleo para máquinas ou óleo lubrificante de pulverizar) nas lâminas de corte.

► Fig.27

Após a operação, remova o pó de ambos os lados das lâminas de corte com uma escova de fios, limpe-as com um pano e, em seguida, aplique óleo de baixa viscosidade (óleo para máquinas ou óleo lubrificante de pulverizar) nas lâminas de corte.

► Fig.28

**OBSERVAÇÃO:** Não lave as lâminas de corte na água. Ao fazê-lo pode causar ferrugem ou danos na ferramenta.

**OBSERVAÇÃO:** A sujidade e a corrosão causam fricção excessiva da lâmina e encurtam o tempo de funcionamento por carga de bateria.

## Armazenamento

Acople a tampa da lâmina às lâminas de corte, de modo a que as lâminas não fiquem expostas. Guarde a ferramenta fora do alcance das crianças. Guarde a ferramenta num local não exposto a humidade ou precipitação.

# RESOLUÇÃO DE PROBLEMAS

Antes de pedir uma reparação, realize primeiro a sua própria inspeção. Se encontrar um problema que não esteja explicado no manual, não tente desmontar a ferramenta. Em vez disso, peça as reparações nos centros de assistência técnica autorizados da Makita, usando sempre peças de substituição da Makita.

Estado da anomalia	Causa provável (avaria)	Correção
O motor não funciona.	A bateria não está instalada.	Instale a bateria.
	Problema com a bateria (baixa tensão)	Recarregue a bateria. Se o carregamento não for eficaz, substitua a bateria.
	O sistema de acionamento não funciona corretamente.	Peça a reparação no centro de assistência autorizado local.
O motor para de funcionar após pouco uso.	O nível de carga da bateria está baixo.	Recarregue a bateria. Se o carregamento não for eficaz, substitua a bateria.
	Sobreaquecimento.	Pare a utilização da ferramenta para que ela possa arrefecer.
A ferramenta não atinge as RPM máximas.	A bateria está mal instalada.	Instale a bateria como descrito neste manual.
	A potência da bateria está a baixar.	Recarregue a bateria. Se o carregamento não for eficaz, substitua a bateria.
	O sistema de acionamento não funciona corretamente.	Peça a reparação no centro de assistência autorizado local.
As lâminas de corte não se movem: ⇒ pare a máquina imediatamente!	Ângulo inadequado das lâminas de corte.	Certifique-se de que a cabeça está devidamente fixada no ângulo operacional.
	Ficam presos objetos estranhos entre as lâminas de corte.	Desligue a ferramenta e remova a bateria e, em seguida, remova os objetos estranhos utilizando ferramentas, tais como um alicate.
	O sistema de acionamento não funciona corretamente.	Peça a reparação no centro de assistência autorizado local.
Vibração anormal: ⇒ pare a máquina imediatamente!	As lâminas de corte estão partidas, curvadas ou desgastadas.	Substitua as lâminas de corte.
	O sistema de acionamento não funciona corretamente.	Peça a reparação no centro de assistência autorizado local.
As lâminas de corte e o motor não conseguem parar: ⇒ retire imediatamente a bateria!	Falha elétrica.	Retire a bateria e peça a reparação no centro de assistência autorizado local.

## ACESSÓRIOS OPCIONAIS

**⚠PRECAUÇÃO:** Estes acessórios ou peças são recomendados para utilização com a ferramenta Makita especificada neste manual. A utilização de outros acessórios ou peças pode ser perigosa para as pessoas. Utilize apenas acessórios ou peças para os fins indicados.

Se necessitar de informações adicionais relativas a estes acessórios, solicite-as ao seu centro de assistência Makita.

- Conjunto da lâmina de corte
- Recipiente de aparas
- Recipiente de massa lubrificante
- Bateria e carregador genuínos da Makita

**NOTA:** Alguns itens da lista podem estar incluídos na embalagem da ferramenta como acessórios padrão. Eles podem variar de país para país.



## SPECIFIKATIONER

Model:	UN460WD
Længde af klinger	460 mm
Antal slag pr. minut	3.600 min <sup>-1</sup>
Vinkel for skærende klinger	135° (op 60°, ned 75°)
Samlet længde	1.889 - 2.511 mm
Mærkespænding	D.C. 10,8 V - 12 V maks.
Nettovægt	2,8 - 3,0 kg

- På grund af vores kontinuerlige forsknings- og udviklingsprogrammer kan hosstående specifikationer blive ændret uden varsel.
- Specifikationer kan variere fra land til land.
- Vægten kan være anderledes afhængigt af tilbehøret, inklusive akkuen. Den letteste og tungeste kombination i henhold til EPA-procedure 01/2014 er vist i tabellen.

## Anvendelig akku og oplader





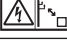

Akku	BL1016 / BL1021B / BL1041B
Oplader	DC10SA / DC10SB / DC10WC / DC10WD / DC18RE

- Nogle af de akkuer og opladere, der er angivet ovenfor, er muligvis ikke tilgængelige, afhængigt af hvilket område du bor i.

**⚠ ADVARSEL: Brug kun de akkuer og opladere, der er angivet ovenfor. Brug af andre akkuer og opladere kan medføre personskade og/eller brand.**

## Symboler

Følgende viser de symboler, der muligvis anvendes til udstyret. Sørg for, at du forstår deres betydning før brugen.

	Læs betjeningsvejledningen.
	Må ikke udsættes for fugt.
	Brug hjelm, beskyttelsesbriller og høreværn.
	FARE - Hold hænder væk fra klingene.
	Pas på elektriske ledninger, risiko for elektrisk stød.
	Hold en afstand på mindst 15 m.



Kun for lande inden for EU  
På grund af tilstedeværelsen af farlige komponenter i udstyret kan affald af elektrisk og elektronisk udstyr, akkumulatører og batterier have en negativ indvirkning på miljøet og folkesundheden.

Bortskaf ikke elektriske og elektroniske apparater eller batterier sammen med husholdningsaffald!

I overensstemmelse med EF-direktiv om affaldshåndtering af elektrisk og elektronisk udstyr og om akkumulatører og batterier og affaldsakkumulatører og -batterier, og i overensstemmelse med national lovgivning, skal brugt elektrisk udstyr, batterier og akkumulatører opbevares separat og leveres til et separat indsamlingssted for kommunalt affald, der er etableret i henhold til bestemmelserne om miljøbeskyttelse. Dette er angivet ved symbolet på den krydsede skraldespand, der er placeret på udstyret.



Garanteret lydeffektniveau i henhold til EU-direktivet om maskiner til udendørs brug.



Lydeffektniveau i henhold til Australiens NSW forordning om støjemission

## Tilsløget anvendelse

Maskinen er beregnet til at trimme hække.

## Støj

Det typiske A-vægtede støjniveau bestemt i overensstemmelse med EN62841-4-2:

Lydtryksniveau ( $L_{pA}$ ): 74 dB (A)

Usikkerhed (K): 3 dB (A)

Støjniveauet under arbejdet kan overskride 80 dB (A).

**BEMÆRK:** De(n) angivne støjemissionsværdi(er) er målt i overensstemmelse med en standardtestmetode og kan anvendes til at sammenligne en maskine med en anden.

**BEMÆRK:** De(n) angivne støjemissionsværdi(er) kan også anvendes i en præliminær eksponeringsvurdering.

**⚠ ADVARSEL:** Bær høreværn.

**⚠ ADVARSEL:** Støjemissionen under den faktiske anvendelse af maskinen kan være forskellig fra de(n) angivne værdi(er), afhængigt af den måde hvorpå maskinen anvendes, især den type arbejdsemne der behandles.

**⚠ ADVARSEL:** Sørg for at identificere de sikkerhedsforskrifter til beskyttelse af operatøren, som er baseret på en vurdering af eksponering under de faktiske brugsforhold (med hensyntagen til alle dele i brugscykklussen, f.eks. de gange, hvor maskinen er slukket, og når den kører i tomgang i tilgift til afbrydertiden).

## Vibration

Gældende standard : EN62841-4-2

Venstre hånd (forreste greb)		Højre hånd (bageste greb)	
$a_h$ ( $m/s^2$ )	Usikkerhed K ( $m/s^2$ )	$a_h$ ( $m/s^2$ )	Usikkerhed K ( $m/s^2$ )
2,5 $m/s^2$ eller mindre	1,5	2,5 $m/s^2$ eller mindre	1,5

**BEMÆRK:** De(n) angivne totalværdi(er) for vibration er målt i overensstemmelse med en standardtestmetode og kan anvendes til at sammenligne en maskine med en anden.

**BEMÆRK:** De(n) angivne totalværdi(er) for vibration kan også anvendes i en præliminær eksponeringsvurdering.

**⚠ ADVARSEL:** Vibrationsemmissionen under den faktiske anvendelse af maskinen kan være forskellig fra de(n) angivne værdi(er), afhængigt af den måde hvorpå maskinen anvendes, især den type arbejdsemne der behandles.

**⚠ ADVARSEL:** Sørg for at identificere de sikkerhedsforskrifter til beskyttelse af operatøren, som er baseret på en vurdering af eksponering under de faktiske brugsforhold (med hensyntagen til alle dele i brugscykklussen, f.eks. de gange, hvor maskinen er slukket, og når den kører i tomgang i tilgift til afbrydertiden).

## EF-overensstemmelseserklæring

*Kun for lande i Europa*

EF-overensstemmelseserklæringen er inkluderet som Bilag A i denne brugsanvisning.

## SIKKERHEDSADVARSLER

### Almindelige sikkerhedsregler for el-værktøj

**⚠ ADVARSEL:** Læs alle de sikkerhedsadvarsler, instruktioner, illustrationer og specifikationer, der følger med denne maskine. Forsømmelse af at overholde alle nedenstående instruktioner kan medføre elektrisk stød, brand og/eller alvorlig personskade.

### Gem alle advarsler og instruktioner til fremtidig reference.

Ordet "el-værktøj" i advarslerne henviser til det netforsynede (netledning) el-værktøj eller batteriforsynede (akku) el-værktøj.

## Sikkerhedsadvarsler for akku stanghæktrimmer

- Hold alle dele af kroppen væk fra klingerne.** Undlad at fjerne afskåret materiale eller at holde materiale, der skal skæres, når klingerne bevæger sig. Klingerne fortsætter med at bevæge sig, efter der er slukket på afbryderen. Ved brug af hæktrimmeren kan ét øjeblik uopmærksomhed medføre alvorlig personskade.
- Bær hæktrimmeren i håndtaget med klingerne stoppet og pas på ikke at betjene nogen afbryderknop.** Korrekt bæring af hæktrimmeren reducerer risikoen for utilsigtet start og resulterende personskade fra klingerne.
- Ved transport eller opbevaring af hæktrimmeren skal klingedækslet altid sættes på.** Korrekt håndtering af hæktrimmeren reducerer risikoen for personskade fra klingerne.
- Når der fjernes fastklemt materiale, eller enheden serviceres, skal du sørge for, at alle afbryderknapper er slået fra, og at akkuen er fjernet eller frakoblet.** Uventet aktivering af hæktrimmeren mens du fjerner fastklemt materiale eller under eftersyn kan muligvis forårsage alvorlig personskade.

5. **Hold altid kun i hækketrimmeren i de isolerede gribeflader, da klingen kan komme i berøring med skjulte ledninger.** Hvis klinger kommer i kontakt med en strømførende ledning, kan udsatte metaldele på hækketrimmeren blive strømførende, hvorved operatøren kan få elektrisk stød.
6. **Hold alle netledninger væk fra skærområdet.** Netledninger eller kabler kan muligvis være gemt i hække eller buske, og kan ved et uheld skæres over af klingens.
7. **Brug ikke hækketrimmeren i dårligt vejr, især hvis der er risiko for lynnedslag.** Dette reducerer risikoen for at blive ramt af lynnedslag.
8. **For at reducere risikoen dødeligt elektrisk stød må du aldrig anvende stanghækketrimmeren i nærheden af elledninger.** Kontakt med eller brug i nærheden af elledninger kan muligvis forårsage alvorlig tilskadekomst eller elektrisk stød med dødsfald til følge.
9. **Brug altid to hænder, når du betjener stanghækketrimmeren.** Hold stanghækketrimmeren med begge hænder for at undgå tab a kontrol.
10. **Brug altid hovedbeskyttelse, når du betjener stanghækketrimmeren over hovedhøjde.** Nedfaldende rester kan medføre alvorlig personskade.

## Yderligere sikkerhedsinstruktioner

### Forberedelse

1. **DENNE HÆKKETRIMMER KAN FORÅRSAGE ALVORLIGE SKADER.** Læs instruktionerne omhyggeligt for korrekt håndtering, klargøring, vedligeholdelse, start og stop af maskinen. Bliv bekendt med alle kontrollerne og den korrekte brug af maskinen.
2. **Kontrollér hækkene og buskene for fremmedlegemer som f.eks. trådhegn eller skjulte ledninger, før maskinen anvendes.**
3. **Hækketrimmeren må ikke anvendes af børn eller unge på under 18 år.** Unge på over 16 år er muligvis undtaget fra denne begrænsning, hvis de er under oplæring under opsyn af en ekspert.
4. **I tilfælde af en nødsituation skal du med det samme slukke for maskinen og fjerne akkuen.**
5. **FARE - Hold hænderne på afstand af klingens.** Kontakt med klingens vil medføre alvorlig personskade.
6. **Førstegangsbrugere bør få en erfaren bruger til at vise dem, hvordan man bruger maskinen.**
7. **Før brugen skal du kontrollere arbejdsområdet for trådhegn, sten eller andre hårde genstande. De kan beskadige klingens.**
8. **Brug kun hækketrimmeren, hvis du er i god fysisk form.** Hvis du er træt, vil din opmærksomhed være reduceret. Vær særligt opmærksom sidst på arbejdsdagen. Udfør alt arbejde roligt og omhyggeligt. Brugeren er ansvarlig for enhver skade på tredjepart.
9. **Før du påbegynder arbejdet, skal du kontrollere, at trimmeren er i god og korrekt arbejdstilstand. Kontroller, at beskyttelseskærme er monteret korrekt. Hækketrimmeren må ikke anvendes, medmindre den er fuldt samlet.**
10. **Undgå farlige miljøer.** Brug ikke maskinen på fugtige eller våde steder, og udsæt den ikke for regn. Hvis der kommer vand ind i maskinen, forøger det risikoen for elektrisk stød.

### Personligt beskyttelsesudstyr

1. **Arbejdshandsker af solidt læder er en del af det grundlæggende udstyr til hækketrimmeren og skal altid bæres, når du arbejder med den. Bær også solide sko med skridsikre såler.**
2. **Bær høreværn som f.eks. høreværn for at forhindre høretab.**
3. **Bær beskyttelsesbriller, sikkerhedshjelm og beskyttelseshandsker som beskyttelse mod flyvende partikler eller faldende genstande.**
4. **Bær beskyttelseshandsker, når du berører klingens eller justerer vinklen på klingens.** Klinger kan skære bare hænder alvorligt.

### Betjening

1. **Brug altid to hænder til at betjene maskinen.** Brug af én hånd kan medføre at du mister kontrollen og resultere i alvorlig personskade.
2. **Mens du bruger maskinen, skal du sikre dig, at betjeningspositionen er sikker.** Det er ekstremt farligt at strække sig for langt med maskinen, især fra en stige. Undlad at arbejde fra nogen som helst ustabil eller usikker platform.
3. **Anvend ikke flere bælteseler og/eller skuldersele på samme tid, når du anvender maskinen.**
4. **Hold tilskuere og dyr mindst 15 m væk fra maskinen under brugen.** Stop maskinen, så snart nogen nærmer sig.
5. **Hvis skæreværktøjet rammer en genstand, eller maskinen begynder at lave en unormal lyd eller vibrere, skal du slukke for maskinen og straks fjerne akkuen og lade maskinen stoppe. Og følg derefter de følgende trin:**
  - inspicer for beskadigelse
  - kontroller, om der er løse dele, og stram dem i så fald
  - få beskadigede dele udskiftet eller repareret med originale reservedele.
6. **Brug kun maskinen til det, den er beregnet til. Brug ikke maskinen til noget andet formål.**
7. **Sluk for maskinen, og tag akkuen ud, inden:**
  - rengøring eller når du fjerner en hindring,
  - eftersyn, vedligeholdelse af eller arbejde på maskinen,
  - justering af arbejdspositionen af klingens,
  - maskinen efterlades uden opsyn.
8. **Sørg for at maskinen er korrekt placeret i en designeret arbejdsposition, inden maskinen startes.**
9. **Betjen ikke maskinen med en beskadiget eller meget slidt klinger.**
10. **Vær altid opmærksom på dine omgivelser og opmærksom på mulige risici, som du muligvis ikke er opmærksom på pga. støjen fra maskinen.**
11. **Vær forsigtig med ikke at ramme et metalhegn eller andre hårde genstande ved et uheld under betjening.** Klingens vil gå i stykker og muligvis forårsage alvorlig tilskadekomst.

12. **Undgå utilsigtet start.** Bær ikke maskinen, når akkuen er installeret og med fingeren på afbryderen. Sørg for, at afbryderen er slået fra, når du installerer akkuen.
13. **Tag ikke fat i de blotlagte skærende klinger eller skærekanter, når maskinen løftes eller holdes.**
14. **Undlad at presse maskinen.** Den gør et bedre job og med mindre risiko for personskade ved den hastighed, den er udviklet til.
15. **Brug ikke maskinen i regnvejr eller under våde eller meget fugtige forhold.** Den elektriske motor er ikke vandtæt.
16. **Hold godt fast i maskinen, når du bruger maskinen.**
17. **Betjen ikke maskinen unødigt uden belastning.**
18. **Før du kontrollerer klingerne, udbedrer fejl eller fjerner fremmedlegemer, der sidder fast i klingerne, skal du altid slukke for maskinen og fjerne akkuen.**
19. **Ret aldrig klingerne mod dig selv eller andre.**
20. **Hvis klingerne holder op med at bevæge sig under brugen på grund af fremmedlegemer, der sidder fast mellem klingerne, skal du slukke for maskinen og fjerne akkuen og derefter fjerne fremmedlegemerne ved hjælp af redskaber som f.eks. en tang.** Hvis du fjerner fremmedlegemerne i hånden, kan det medføre personskade, da klingerne kan bevæge sig som reaktion på fjernelsen af fremmedlegemerne.

#### Elektrisk sikkerhed og batterisikkerhed

1. **Undgå farlige miljøer. Brug ikke maskinen på fugtige eller våde steder, og udsæt den ikke for regn.** Hvis der kommer vand ind i maskinen, forøger det risikoen for elektrisk stød.
2. **Undlad at kaste batterierne i åben ild.** Cellen kan eksplodere. Tjek de lokale regler for eventuelle særlige instruktioner vedrørende bortskaffelse.
3. **Undlad at åbne eller mishandle batterierne.** Lækket elektrolyt er ætsende og kan medføre skader på øjnene eller huden. Den kan være giftig, hvis den indtages.
4. **Undlad at oplade batteriet i regnvejr eller under våde forhold.**
5. **Oplad ikke batteriet uden døre.**
6. **Håndter ikke oplader, herunder opladerstik, og opladerterminaler med våde hænder.**

#### Vedligeholdelse og opbevaring

1. **Når maskinen er stoppet med henblik på service, eftersyn eller opbevaring, skal du slukke for maskinen og fjerne akkuen, og sørge for, at alle bevægelige dele er stoppet helt.** Lad maskinen køle af inden du foretager nogen eftersyn, justeringer osv.
2. **Lad altid maskinen køle af, inden den stilles til opbevaring.**
3. **Når den ikke er i brug, skal klingedækslet til maskinen monteres, og maskinen skal opbevares indendørs på et tørt og højtliggende aflåst sted, der er utilgængeligt for børn.**

4. **Vedligehold maskinen omhyggeligt.** Hold den skærende kant skarp og ren for bedst mulig ydeevne og for at reducere risikoen for tilskadekomst. Følg instruktionerne for smøring og udskiftning af tilbehør. Hold grebene tørre og rene, og fri for olie og fedt.
5. **Kontroller beskadigede dele.** Før yderligere brug af maskinen skal enhver del, som er beskadiget, kontrolleres omhyggeligt for at fastslå, om den vil fungere korrekt og udføre sin tilsigtede funktion. Se efter justering af bevægelige dele, binding af bevægelige dele, dele, som er gået i stykker, montering og andre forhold, der kan påvirke deres funktion. En beskyttelsesskærm eller anden del, der er beskadiget, skal repareres eller udskiftes af dit autoriserede servicecenter.
6. **Brug kun originale reservedele.**
7. **Når maskinen flyttes til et andet sted, herunder under arbejde, skal du altid fjerne akkuen og sætte klingedækslet på klingerne.** Du må aldrig bære eller transportere maskinen, mens klingerne kører. Tag aldrig fat i klingerne med hænderne.
8. **Rengør maskinen og især klingerne efter brug, og før maskinen lægges til opbevaring i længere tid.** Smør klingerne let med olie, og sæt klingedækslet på.
9. **Undlad at kaste batterierne i åben ild.** Cellen kan eksplodere. Tjek de lokale regler for eventuelle særlige instruktioner vedrørende bortskaffelse.
10. **Undlad at åbne eller mishandle batterierne.** Lækket elektrolyt er ætsende og kan medføre skader på øjnene eller huden. Den kan være giftig, hvis den indtages.
11. **Undlad at oplade batteriet i regnvejr eller under våde forhold.**

## GEM DENNE BRUGSANVISNING.

**⚠ ADVARSEL:** LAD IKKE bekvemmelighed eller kendskab til produktet (opnået gennem gentagen brug) forhindre, at sikkerhedsforskrifterne for produktet nøje overholdes. MISBRUG eller forsømmelse af at følge de i denne brugsvejledning givne sikkerhedsforskrifter kan føre til, at De kommer alvorligt til skade.

### Vigtige sikkerhedsinstruktioner for akkuen

1. **Læs alle instruktioner og advarselsmærkater på (1) akku-opladeren, (2) akkuen og (3) produktet, som anvender akku.**
2. **Adskil eller ændr ikke akkuen.** Det kan muligvis resultere i en brand, overdreven varme eller eksplosion.
3. **Hold straks op med anvendelsen, hvis brugstiden er blevet stærkt afkortet.** Fortsat anvendelse kan resultere i risiko for overophedning, forbrændinger og endog eksplosion.
4. **Hvis De har fået elektrolytvæske i øjnene, skal De straks skylle den ud med rent vand og derefter øjeblikkeligt søge lægehjælp.** I modsat fald kan De miste synet.

5. Vær påpasselig med ikke at komme til at kortslutte akkuen:
  - (1) Rør ikke ved terminalerne med noget ledende materiale.
  - (2) Undgå at opbevare akkuen i en beholder sammen med andre genstande af metal, for eksempel søm, mønter og lignende.
  - (3) Udsæt ikke akkuen for vand eller regn. Kortslutning af akkuen kan forårsage en kraftig øgning af strømmen, overophedning, mulige forbrændinger og endog værktøjstop.
6. Opbevar og brug ikke maskinen og akkuen på steder, hvor temperaturen muligvis kan nå eller overstige 50 °C.
7. Lad være med at brænde akkuen, selv ikke i tilfælde, hvor den har lidt alvorlig skade eller er fuldstændig udtjent. Akkuen kan eksplodere, hvis man forsøger at brænde den.
8. Slå ikke søm i, skær ikke i, knus, kast, tab ikke akkuen og stød ikke akkuen mod en hård genstand. Sådant adfærd kan muligvis resultere i en brand, overdreven varme eller eksplosion.
9. Anvend ikke en beskadiget akku.
10. De indbyggede litium-ion-batterier er underlagt lovkrav vedrørende farligt gods. Ved kommerciel transport, f.eks. af tredjeparts transportselskaber, skal særlige krav til forpakning og mærkning overholdes. Ved forberedelse af udstyret til forsendelse skal du kontakte en ekspert i farligt gods. Overhold også eventuel mere detaljeret national lovgivning. Tape eller tildæk åbne kontakter, og pak batteriet på en måde, så det ikke kan flytte sig rundt i pakningen.
11. Når akkuen bortskaffes, skal du fjerne den fra maskinen og bortskaffe den på et sikkert sted. Følg de lokale love vedrørende bortskaffelsen af batterier.
12. Brug kun batterierne med de produkter, som Makita specificerer. Hvis batterierne installeres i ikke-kompatible produkter, kan det medføre brand, kraftig varme, eksplosion eller udsivning af elektrolyt.
13. Hvis maskinen ikke skal bruges i længere tid ad gangen, skal du fjerne batteriet fra maskinen.
14. Akkuen kan muligvis under og efter brug være varm, hvilket kan forårsage forbrændinger eller lavtemperaturforbrændinger. Vær påpasselig med håndtering af varme akkuer.
15. Rør ikke terminalen på maskinen straks efter brug, da den bliver varm nok til at forårsage forbrændinger.
16. Sørg for at spåner, støv eller jord ikke sætter sig fast inde i terminalerne, hullerne og rillerne på akkuen. Det kan muligvis medføre dårlig ydelse eller nedbrud af maskinen eller akkuen.
17. Medmindre maskinen understøtter brugen i nærheden af elektriske højspændingsledninger, skal du ikke anvende akkuen i nærheden af elektriske højspændingsledninger. Det kan muligvis medføre funktionsfejl på eller nedbrud af maskinen eller akkuen.
18. Opbevar batteriet utilgængeligt for børn.

## GEM DENNE BRUGSANVISNING.

**⚠ FORSIGTIG:** Brug kun originale batterier fra Makita. Brug af uoriginale Makita-batterier, eller batterier som er blevet ændret, kan muligvis medføre brud på batteriet, hvilket kan forårsage brand, personskade eller beskadigelse. Det ugyldiggør også Makita-garantien for Makita-maskinen og opladeren.

## Tips til opnåelse af maksimal akku-levetid

1. Oplad akkuen, inden den er helt afladet. Stop altid værktøjet, og oplad akkuen, hvis De bemærker, at værktøjeffekten er aftagende.
2. Genoplad aldrig en fuldt opladet akku. Overopladning vil afkorte akkuens levetid.
3. Oplad akkuen ved stuetemperatur ved 10 °C - 40 °C. Lad altid en varm akku få tid til at køle af, inden den oplades.
4. Når du ikke anvender akkuen, skal du fjerne den fra maskinen eller opladeren.

## BESKRIVELSE AF DELENE

► Fig.1

1	Hoved	2	Vinkeljusteringsknap	3	Låsehåndtag	4	Tommelfinger møtrik
5	Forreste greb	6	Bageste greb	7	Akku	8	Afbryderknap
9	Lås fra-knap	10	Klinger	-	-	-	-

## FUNKTIONSBESKRIVELSE

**⚠️FORSIGTIG:** Sørg altid for at maskinen er slukket, og at akkuen er taget ud, før der udføres justering eller kontrol af funktioner på maskinen.

### Isætning eller fjernelse af akkuen

**⚠️FORSIGTIG:** Sluk altid for værktøjet, før De monterer eller fjerner akkuen.

**⚠️FORSIGTIG:** Hold værktøjet og akkuen fast ved montering eller fjernelse af akkuen. Hvis De ikke holder værktøjet og akkuen fast, kan de glide ud af hænderne på Dem og forårsage beskadigelse af værktøjet og akkuen eller personskade.

► Fig.2: 1. Rød indikator 2. Knap 3. Akku

Akkuen fjernes ved, at De trækker den ud af værktøjet, idet De skyder knappen på forsiden af akkuen i stilling.

For at montere akkuen skal du justere tungen på akkuen med rillen i huset og skubbe den på plads. Indsæt den hele vejen, indtil den låses på plads med et lille klik. Hvis du kan se den røde indikator, som vist i figuren, er den ikke helt låst.

**⚠️FORSIGTIG:** Monter altid akkuen helt, indtil den røde indikator ikke længere er synlig. Hvis dette ikke gøres, kan den falde ud af værktøjet ved et uheld, hvorved De selv eller personer i nærheden kan komme til skade.









**⚠️FORSIGTIG:** Brug ikke magt ved montering af akkuen. Hvis akkuen ikke glider på plads uden problemer, betyder det, at den ikke sættes i på korrekt vis.

### Indikation af den resterende batteriladning

*Kun til akkuer med indikatoren*

► Fig.3: 1. Indikatorlamper 2. Kontrolknap

Tryk på kontrolknappen på akkuen for at få vist den resterende batteriladning. Indikatorlampen lyser i nogle sekunder.

Indikatorlamper		Resterende kapacitet
Tændt	Slukket	
		75% til 100%
		50% til 75%
		25% til 50%
		0% til 25%

**BEMÆRK:** Afhængigt af brugsforholdene og den omgivende temperatur kan indikationen afvige en smule fra den faktiske ladning.

## Beskyttelsessystem til værktøj/batteri

Maskinen er udstyret med et batteribeskyttelsessystem. Dette system afbryder automatisk strømmen til motoren for at forlænge batteriets levetid.

Maskinen stopper automatisk under brugen, hvis maskinen og/eller batteriet udsættes for et af følgende forhold:

### Overbelastet:

Maskinen betjenes på en måde, der får den til at bruge unormalt meget strøm. Sluk i så fald for maskinen, og stop den anvendelse, der medførte overbelastningen af maskinen. Tænd derefter for maskinen for at starte igen.

Hvis maskinen ikke starter, er batteriet overophedet.

Lad i så fald batteriet køle af, før du tænder for maskinen igen.

### Lav spænding på akkuen:

Den resterende batteriladning er for lav, og maskinen vil ikke fungere. Hvis du tænder for maskinen, kører motoren igen, men stopper i løbet af kort tid. I så fald skal batteriet fjernes og genoplades.

## Afbryderbetjening

**⚠️ADVARSEL:** Inden akkuen sættes i maskinen, bør De altid kontrollere, at afbryderknappen fungerer korrekt, og returnerer til "OFF"-positionen, når den slippes.

**⚠️ADVARSEL:** Af hensyn til din sikkerhed er maskinen forsynet med lås fra-knap, der forhindrer, at maskinen starter ved et uheld. Brug aldrig maskinen, hvis den starter, når du trykker på afbryderknappen uden at trykke på lås fra-knappen. Kontakt det lokale Makita servicecenter for reparation.

**⚠️ADVARSEL:** Du må aldrig deaktivere låsefunktionen eller holde lås fra-knappen nede med tape.

**BEMÆRKNING:** Undlad at trykke på afbryderknappen med magt uden at trykke på lås fra-knappen. Kontakten kan gå i stykker.

► Fig.4: 1. Lås fra-knap 2. Afbryderknap

For at forhindre, at afbryderknappen trykkes ind ved et uheld, er maskinen udstyret med en aflåseknap. Maskinen startes ved at trykke lås fra-knappen ned og trykke på afbryderknappen. Slip afbryderknappen for at stoppe. Lås fra-knappen kan trykkes ned fra enten højre eller venstre side.

## Justering af skærevinklen

**⚠️FORSIGTIG:** Sørg altid for, at der er slukket for maskinen, inden hovedet foldes sammen eller foldes ud.

**⚠️FORSIGTIG:** Når du folder hovedet sammen for at bære maskinen eller efter brug af maskinen, skal du sørge for at montere klingedækslet, inden du folder hovedet sammen.

**⚠️FORSIGTIG:** Når du folder hovedet sammen, skal du passe på ikke at klemme dine fingre mellem hovedet og maskinens kabinet.

Vinklen på hovedet kan justeres i 10 trin. For at ændre vinklen på hovedet skal du følge trinene nedenfor.

1. Hold hovedet og maskinens kabinet som vist på figuren.

► Fig.5: 1. Hoved 2. Vinkeljusteringsknop

2. Juster vinklen på hovedet, mens du holder vinkeljusteringsknappen nede, og slip derefter vinkeljusteringsknappen.

3. Flyt hovedet en lille smule, indtil det låses med et klik.

**BEMÆRK:** Sørg for, at hovedet er ordentligt låst fast, inden du betjener maskinen.

## Justering af rørlængden

**⚠FORSIGTIG:** Sørg altid for, at maskinen er slukket, inden du justerer rørlængden.

**⚠FORSIGTIG:** Ved justering af rørlængden, skal du sørge for at fastgøre klingedækslet, før rørlængden justeres.

**⚠FORSIGTIG:** Pas på ikke at klemme fingrene, når du justerer rørlængden.

**⚠FORSIGTIG:** Sørg for, at låsehåndtaget er låst forsvarligt.

Løsn låsehåndtaget, juster derefter længden på røret, og lås derefter låsehåndtaget.

► Fig.6: 1. Låsehåndtag

## Justering af det forreste grebs position

**⚠FORSIGTIG:** Sørg altid for, at maskinen er slukket, inden du justerer det forreste grebs position.

**⚠FORSIGTIG:** Pas på ikke at klemme fingrene, når du justerer det forreste grebs position.

**⚠FORSIGTIG:** Sørg for, at tommelfinger møtrikken er strammet sikkert.

**⚠FORSIGTIG:** Flyt ikke det forreste greb ud over pilemærket.

For at justere det forreste grebs position skal du løse tommelfinger møtrikken ved at dreje den mod uret, derefter justere positionen på det forreste greb og derefter stramme tommelfinger møtrikken ved at dreje den med uret.

► Fig.7: 1. Tommelfinger møtrik 2. Pilemærke

## SAMLING

**⚠FORSIGTIG:** Sørg altid for at maskinen er slukket, og at akkuen er taget ud, før der udføres noget arbejde på maskinen.

**⚠FORSIGTIG:** Ved udskiftning af klingerne skal du altid bære handsker, så dine hænder ikke kommer i direkte kontakt med klingerne.

## Montering eller fjernelse af klingerne

**⚠FORSIGTIG:** Monter klingedækslet, før klingerne fjernes eller monteres.

**BEMÆRKNING:** Ved udskiftning af klingerne må du ikke aftørre fedtstof fra gearret og krumtappen.

**BEMÆRK:** Inden du installerer eller fjerner klingerne, skal du folde hovedet ud på maskinen, så hovedet er lige i forhold til maskinens kabinet.

1. Vend maskinen med bunden i vejret.

2. Fjern 4 skruer med en skruetrækker, og fjern klingerne.

► Fig.8: 1. Skruer

3. Fjern krumtappen fra klingerne.

► Fig.9: 1. Krumtap

**BEMÆRK:** Krumtappen kan blive siddende i maskinen.

4. Forbered krumtappen og de nye klinger.

► Fig.10: 1. Krumtap 2. Klinger

5. Fjern klingedækslet, og monter det derefter på de nye klinger.

6. Påfør en lille smule fedt i krumtappens periferi. Fastgør spændeskiven, tandhjulet og krumtappen til stiftens i rækkefølge.

► Fig.11: 1. Krumtap 2. Tandhjul 3. Spændeskive 4. Stift

7. Juster krumtappen, så de 2 små huller på krumtappen er på linje med justeringslinjen, som vist på figuren.

► Fig.12: 1. Justeringslinje 2. Lille hul

8. Skub klingerne, så hullet på ledepladen er placeret midt på ringene på klingerne.

► Fig.13: 1. Ledeplyade

9. Indsæt skruen, der blev fjernet i trin 2, i hullet på klingerne gennem hullet på klingedækslet.

► Fig.14: 1. Hul

10. Fastgør klingerne til maskinen, og stram derefter 3 skruer med skruetrækkeren.

► Fig.15: 1. Skruer

11. Fjern skruen, der blev indsat i hullet på klingerne i trin 9, og stram den derefter for at fastgøre klingerne.

**BEMÆRKNING:** Hvis klingerne ikke fungerer korrekt, griber de ikke korrekt ind i krumtappen. Fjern klingerne, og monter dem igen.

**BEMÆRKNING:** Hvis andre dele end klingerne, f.eks. krumtappen, er slidt, skal du bede et autoriseret Makita-servicecenter om udskiftning af dele eller reparation.



## Montering eller afmontering af spånbakken

### Ekstraudstyr

**⚠ FORSIGTIG:** Ved montering eller fjernelse af spånbakken skal du altid bære handsker, så dine hænder ikke kommer i direkte kontakt med klingerne.

**⚠ FORSIGTIG:** Fastgør klingedækslet før spånbakken installeres eller fjernes.

Spånbakken opsamler fraskårne blade og gør den efterfølgende rengøring meget lettere. Den kan monteres på begge sider af maskinen.

1. Juster hullerne på spånbakken, så de er på linje med møtrikkerne på klingerne.

► **Fig.16:** 1. Møtrik

2. Fastgør spånbakkens kløer til klingernes rille.

► **Fig.17:** 1. Klo 2. Rille

3. Tryk på armene på spånbakken, og fastgør derefter kløerne på den anden side til rillen på klingerne.

► **Fig.18:** 1. Arm

For at afmontere spånbakken skal du trykke på armene for at frigøre kløerne.

► **Fig.19:** 1. Arm

**BEMÆRKNING:** Forsøg aldrig at fjerne spånbakken ved at bruge vold, når kløerne er låst fast i rillerne på klingerne.

## ANVENDELSE

### Betjening af maskinen

**⚠ ADVARSEL:** Brug ikke maskinen i nærheden af elledninger. Kontakt med elledninger eller brug i nærheden af elledninger kan muligvis forårsage alvorlig tilskadekomst eller elektrisk stød med dødsfald til følge.

**⚠ ADVARSEL:** Hold hænderne på afstand af klingerne.

**⚠ ADVARSEL:** Vær yderst omhyggelig med at bevare kontrollen over maskinen til enhver tid. Lad ikke maskinen blive slynget tilbage mod dig selv eller andre i arbejdsområdet. Hvis du ikke bevarer kontrollen over maskinen, kan det forårsage alvorlig personskade for tilskueren og operatøren.

**⚠ FORSIGTIG:** Undgå så vidt muligt at anvende maskinen i meget varmt vejr. Vær opmærksom på din fysiske tilstand, når du anvender maskinen.

**⚠ FORSIGTIG:** Vær forsigtig med ikke at ramme et metalhegn eller andre hårde genstande ved et uheld under trimningen. Klingerne kan gå i stykker og forårsage personskade.

**⚠ FORSIGTIG:** Vær forsigtig med ikke at lade klingerne komme i kontakt med jorden. Maskinen kan slå tilbage og forårsage personskade.

**⚠ FORSIGTIG:** Det er ekstremt farligt at strække sig for langt med en hæktrimmer, især fra en stige. Undlad at arbejde, mens du står på en ustabil eller usikker platform.

**BEMÆRKNING:** Forsøg ikke at klippe grene, der er tykkere end 10 mm i diameter, med maskinen. Beskær grene til 10 cm under skærehøjden ved hjælp af en grensaks, før du bruger denne maskine.

► **Fig.20:** (1) Skærehøjde (2) 10 cm

**BEMÆRKNING:** Undlad at beskære døde træer eller lignende hårde genstande. Hvis du gør dette, kan det beskadige maskinen.

**BEMÆRKNING:** Undlad at trimme græs eller ukrudt, mens du bruger klingerne. Klingerne kan blive viklet ind i græsset eller ukrudtet.

Hold maskinen med begge hænder ved at holde i det forreste greb og det bageste greb.

► **Fig.21:** 1. Forreste greb 2. Bagerste greb

Tryk på afbryderknappen mens du trykker på lås fra-knappen, og bevæg derefter maskinen fremad.

► **Fig.22**

Ved almindelig brug skal du vippe klingerne i trimningsretningen og flytte den roligt og langsomt med en hastighed på 3 til 4 sekunder pr. meter.

► **Fig.23**

For at klippe siden af en hæk jævnt skal du klippe fra bunden mod toppen.

► **Fig.24**

Ved beskæring for at opnå en rund form (trimning af buksbom eller rododendron osv.) skal du trimme fra roden mod toppen for at opnå en flot finish.

► **Fig.25**

Hvis spånbakken er monteret på klingerne, opsamler den bortskårne blade og gør den efterfølgende oprydning meget lettere.

► **Fig.26**

## VEDLIGEHOLDELSE

**⚠ FORSIGTIG:** Vær altid sikker på, at værktøjet er slukket, og at akkuen er taget ud, inden De begynder at udføre inspektion eller vedligeholdelse.

**⚠ FORSIGTIG:** Ved inspektion eller vedligeholdelse af maskinen skal du altid lægge maskinen ned. Samling eller justering af maskinen i stående position kan medføre alvorlig personskade.

For at opretholde produktets SIKKERHED og PÅLIDELIGHED må reparation, vedligeholdelse eller justering kun udføres af et autoriseret Makita servicecenter eller fabrikkens servicecenter med anvendelse af Makita reservedele.

### Rengøring af maskinen

Rengør maskinen ved at aftørre støv med en tør klud eller en klud, der er dyppet i sæbevand og vredet.

**BEMÆRKNING:** Anvend aldrig benzin, rensebenzin, fortynder, alkohol og lignende. Det kan medføre misfarvning, deformationer eller revner.

## Vedligeholdelse af klinger

Før brugen eller én gang i timen under brug skal du smøre olie med lav viskositet (maskinolie eller smørelie af spraytypen) på klingerne.

► Fig.27

Efter brugen skal du fjerne støv fra begge sider af klingerne med en trådbørste, tørre dem af med en klud og derefter smøre olie med lav viskositet (maskinolie eller smørelie af spraytypen) på klingerne.

► Fig.28

**BEMÆRKNING:** Undgå at vaske klingerne i vand. Dette kan medføre rust eller beskadigelse af maskinen.

**BEMÆRKNING:** Snavs og rust medfører kraftig klinge-friktion og forkorter driftstiden mellem batteriopladninger.

## Opbevaring

Monter klingedækslet på klingerne, så klingerne ikke er blottet. Opbevar maskinen utilgængeligt for børn. Opbevar maskinen på et sted, der ikke er udsat for fugt eller regn.

## FEJLFINDING

Udfør selv en inspektion, inden De anmoder om reparation. Hvis De opdager et problem, som ikke er forklaret i brugsanvisningen, må De ikke forsøge at adskille maskinen. Rådfør Dem i stedet med et autoriseret Makita Servicecenter, og brug altid originale Makita udskiftningsdele til reparationer.

Unormal tilstand	Sandsynlig årsag (fej)l	Afhjælpning
Motoren kører ikke.	Akkuen er ikke indsat.	Indsæt akkuen.
	Problem med batteriet (for lav spænding)	Genoplad batteriet. Udskift batteriet, hvis genopladning ikke er effektiv.
	Drevsystemet fungerer ikke korrekt.	Kontakt det lokale autoriserede servicecenter for reparation.
Motoren holder op med at køre efter kort tids brug.	Batteriets opladningsniveau er for lavt.	Genoplad batteriet. Udskift batteriet, hvis genopladning ikke er effektiv.
	Overophedning.	Hold op med at bruge maskinen, så den kan køle ned.
Maskinen når ikke maks. antal omdrejninger pr. minut (RPM).	Batteriet er indsat forkert.	Indsæt akkuen som beskrevet i denne brugervejledning.
	Batteriladningen falder.	Genoplad batteriet. Udskift batteriet, hvis genopladning ikke er effektiv.
	Drevsystemet fungerer ikke korrekt.	Kontakt det lokale autoriserede servicecenter for reparation.
Klinger bevæger sig ikke: ⇒ Stop maskinen med det samme!	Forkert vinkel på klinger.	Sørg for, at hovedet er ordentligt fastgjort på betjeningsvinklen.
	Der sidder fremmedlegemer fast mellem klingerne.	Sluk for maskinen og tag akkuen ud, og fjern derefter fremmedlegemer ved hjælp af værktøj som fx tænger.
	Drevsystemet fungerer ikke korrekt.	Kontakt det lokale autoriserede servicecenter for reparation.
Unormal vibration: ⇒ Stop maskinen med det samme!	Klinger er i stykker, bøjet eller slidte.	Udskift klingerne.
	Drevsystemet fungerer ikke korrekt.	Kontakt det lokale autoriserede servicecenter for reparation.
Klinger og motor kan ikke stoppe: ⇒ Fjern batteriet med det samme!	Elektrisk funktionsfejl.	Fjern batteriet, og kontakt det lokale autoriserede servicecenter for reparation.

## EKSTRAUDSTYR

**⚠FORSIGTIG:** Det følgende tilbehør og ekstraudstyr er anbefalet til brug med Deres Makita maskine, der er beskrevet i denne brugsanvisning. Anvendelse af andet tilbehør eller ekstraudstyr kan udgøre en risiko for personskade. Anvend kun tilbehør og ekstraudstyr til det beskrevne formål.

- Klingemontering
- Spånbakke
- Fedtbeholder
- Original Makita akku og oplader

**BEMÆRK:** Nogle ting på denne liste kan være inkluderet i værktøjspakken som standardtilbehør. Det kan være forskellige fra land til land.

Hvis De behøver hjælp ved valg af tilbehør eller ønsker yderligere informationer, bedes De kontakte Deres lokale Makita servicecenter.

## ΠΡΟΔΙΑΓΡΑΦΕΣ

Μοντέλο:	UN460WD
Μήκος λάμας	460 mm
Διαδρομές ανά λεπτό	3.600 min <sup>-1</sup>
Γωνία κοπτικής λάμας	135° (πάνω 60°, κάτω 75°)
Συνολικό μήκος	1.889 - 2.511 mm
Ονομαστική τάση	D.C. 10,8 V - 12 V max
Καθαρό βάρος	2,8 - 3,0 kg

- Λόγω του συνεχιζόμενου προγράμματος έρευνας και ανάπτυξης, οι προδιαγραφές αυτές υπόκεινται σε αλλαγές χωρίς προειδοποίηση.
- Τα τεχνικά χαρακτηριστικά μπορεί να διαφέρουν από χώρα σε χώρα.
- Το βάρος μπορεί να διαφέρει ανάλογα με τα προσαρτήματα, συμπεριλαμβανοντας την κασέτα μπαταριών. Ο ελαφρύτερος και ο βαρύτερος συνδυασμός, σύμφωνα με τη διαδικασία ΕΡΤΑ 01/2014, παρουσιάζονται στον πίνακα.

## Ισχύουσα κασέτα μπαταριών και φορτιστής





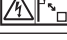

Κασέτα μπαταρίας	BL1016 / BL1021B / BL1041B
Φορτιστής	DC10SA / DC10SB / DC10WC / DC10WD / DC18RE

- Ορισμένες από τις κασέτες και τους φορτιστές μπαταριών που αναγράφονται παραπάνω ίσως να μην είναι διαθέσιμοι, ανάλογα με την τοποθεσία κατοικίας σας.

**⚠ ΠΡΟΕΙΔΟΠΟΙΗΣΗ:** Να χρησιμοποιείτε μόνο τις κασέτες μπαταριών και τους φορτιστές που παρατίθενται ανωτέρω. Η χρήση οποιασδήποτε άλλης κασέτας μπαταριών ή φορτιστή μπορεί να προκαλέσει τραυματισμό ή/και πυρκαγιά.

## Σύμβολα

Παρακάτω παρουσιάζονται τα σύμβολα που μπορούν να χρησιμοποιηθούν για τον εξοπλισμό. Βεβαιωθείτε ότι κατανοείτε τη σημασία τους πριν από τη χρήση.

	Διαβάστε το εγχειρίδιο οδηγιών.
	Μην εκθέτετε σε υγρασία.
	Να φοράτε κράνος ασφαλείας, προστατευτικά γυαλιά και ωτοασπίδες.
	ΚΙΝΔΥΝΟΣ - Κρατήστε τα χέρια μακριά από τη λάμα.
	Προσέχετε τις ηλεκτρικές γραμμές, κίνδυνος ηλεκτροπληξίας.
	Κρατήστε απόσταση τουλάχιστον 15 m.



Μόνο για τις χώρες της ΕΕ  
Λόγω της παρουσίας των επικίνδυνων συστατικών μερών στον εξοπλισμό, ο απόβλητος ηλεκτρικός και ηλεκτρονικός εξοπλισμός, οι συσσωρευτές και οι μπαταρίες μπορεί να έχουν αρνητική επίδραση στο περιβάλλον και την ανθρώπινη υγεία. Μην απορρίπτετε τις ηλεκτρικές και ηλεκτρονικές συσκευές ή μπαταρίες μαζί με τα οικιακά απορρίμματα!

Σύμφωνα με την Ευρωπαϊκή Οδηγία για τον απόβλητο ηλεκτρικό και ηλεκτρονικό εξοπλισμό και για τους συσσωρευτές και μπαταρίες και τους απόβλητους συσσωρευτές και μπαταρίες, καθώς και την προσαρμογή τους στην εθνική νομοθεσία, ο απόβλητος ηλεκτρικός εξοπλισμός, οι μπαταρίες και οι συσσωρευτές θα πρέπει να αποθηκεύονται ξεχωριστά και να παραδίδονται σε ξεχωριστό σημείο συλλογής για δημοτικά απόβλητα, το οποίο λειτουργεί σύμφωνα με τους κανονισμούς για την προστασία του περιβάλλοντος. Αυτό υποδεικνύεται από το σύμβολο του διαγραμμένου τροχοφόρου κάδου που βρίσκεται αναρτημένο επάνω στον εξοπλισμό.



Εγγυημένη στάθμη ηχητικής ισχύος σύμφωνα με την Οδηγία της ΕΕ για την εκπομπή θορύβου σε εξωτερικούς χώρους.



Στάθμη ηχητικής ισχύος σύμφωνα με τον Κανονισμό ελέγχου θορύβου της Νέας Νότιας Ουαλίας της Αυστραλίας

## Προοριζόμενη χρήση

Το εργαλείο προορίζεται για το ψαλίδισμα μπροντούρας.

## Θόρυβος

Το τυπικό Α επίπεδο καταμετρημένου θορύβου καθορίζεται σύμφωνα με το EN62841-4-2:

Στάθμη ηχητικής πίεσης ( $L_{pA}$ ): 74 dB (A)

Αβεβαιότητα (K): 3 dB (A)

Η ένταση θορύβου υπό συνθήκες εργασίας μπορεί να υπερβεί τα 80 dB (A).

**ΠΑΡΑΤΗΡΗΣΗ:** Η δηλωμένη τιμή(ές) εκπομπής θορύβου έχει μετρηθεί σύμφωνα με την πρότυπη μέθοδο δοκιμής και μπορεί να χρησιμοποιηθεί για τη σύγκριση ενός εργαλείου με κάποιο άλλο.

**ΠΑΡΑΤΗΡΗΣΗ:** Η δηλωμένη τιμή(ές) εκπομπής θορύβου μπορεί να χρησιμοποιηθεί και στην προκαταρκτική αξιολόγηση της έκθεσης.

**▲ΠΡΟΕΙΔΟΠΟΙΗΣΗ:** Να φοράτε ωτοασπίδες.

**▲ΠΡΟΕΙΔΟΠΟΙΗΣΗ:** Η εκπομπή θορύβου κατά τη χρήση του ηλεκτρικού εργαλείου σε πραγματικές συνθήκες μπορεί να διαφέρει από τη δηλωμένη τιμή(ές) ανάλογα με τους τρόπους χρήσης του εργαλείου, ιδιαίτερα το είδος του τεμαχίου εργασίας που υπόκειται επεξεργασία.

**▲ΠΡΟΕΙΔΟΠΟΙΗΣΗ:** Φροντίστε να λάβετε τα κατάλληλα μέτρα προστασίας του χειριστή βάσει ενός υπολογισμού της έκθεσης σε πραγματικές συνθήκες χρήσης (λαμβάνοντας υπόψη όλες τις συνιστώσες του κύκλου λειτουργίας όπως τους χρόνους που το εργαλείο είναι εκτός λειτουργίας και όταν βρίσκεται σε αδρανή λειτουργία πέραν του χρόνου ενεργοποίησης).

## Κραδασμός

Ισχύον πρότυπο : EN62841-4-2

Αριστερό χέρι (μπροστινή λαβή)		Δεξιό χέρι (πίσω λαβή)	
$a_h$ ( $m/s^2$ )	Αβεβαιότητα K ( $m/s^2$ )	$a_h$ ( $m/s^2$ )	Αβεβαιότητα K ( $m/s^2$ )
2,5 $m/s^2$ ή λιγότερο	1,5	2,5 $m/s^2$ ή λιγότερο	1,5

**ΠΑΡΑΤΗΡΗΣΗ:** Η δηλωμένη τιμή(ές) συνολικών κραδασμών έχει μετρηθεί σύμφωνα με την πρότυπη μέθοδο δοκιμής και μπορεί να χρησιμοποιηθεί για τη σύγκριση ενός εργαλείου με κάποιο άλλο.

**ΠΑΡΑΤΗΡΗΣΗ:** Η δηλωμένη τιμή(ές) συνολικών κραδασμών μπορεί να χρησιμοποιηθεί και στην προκαταρκτική αξιολόγηση της έκθεσης.

**▲ΠΡΟΕΙΔΟΠΟΙΗΣΗ:** Η εκπομπή κραδασμών κατά τη χρήση του ηλεκτρικού εργαλείου σε πραγματικές συνθήκες μπορεί να διαφέρει από τη δηλωμένη τιμή(ές) εκπομπής ανάλογα με τους τρόπους χρήσης του εργαλείου, ιδιαίτερα το είδος του τεμαχίου εργασίας που υπόκειται επεξεργασία.

**▲ΠΡΟΕΙΔΟΠΟΙΗΣΗ:** Φροντίστε να λάβετε τα κατάλληλα μέτρα προστασίας του χειριστή βάσει ενός υπολογισμού της έκθεσης σε πραγματικές συνθήκες χρήσης (λαμβάνοντας υπόψη όλες τις συνιστώσες του κύκλου λειτουργίας όπως τους χρόνους που το εργαλείο είναι εκτός λειτουργίας και όταν βρίσκεται σε αδρανή λειτουργία πέραν του χρόνου ενεργοποίησης).

## Δήλωση συμμόρφωσης ΕΚ

Μόνο για χώρες της Ευρώπης

Η δήλωση συμμόρφωσης ΕΚ περιλαμβάνεται ως Παράρτημα Α στο παρόν εγχειρίδιο οδηγιών.

## ΠΡΟΕΙΔΟΠΟΙΗΣΕΙΣ ΑΣΦΑΛΕΙΑΣ

### Γενικές προειδοποιήσεις ασφαλείας για το ηλεκτρικό εργαλείο

**▲ΠΡΟΕΙΔΟΠΟΙΗΣΗ:** Διαβάστε όλες τις προειδοποιήσεις ασφαλείας, οδηγίες, εικονογραφησίες και προδιαγραφές που παρέχονται με αυτό το ηλεκτρικό εργαλείο. Η μη τήρηση όλων των οδηγιών που αναγράφονται κατωτέρω μπορεί να καταλήξει σε ηλεκτροπληξία, πυρκαγιά ή/και σοβαρό τραυματισμό.

### Φυλάξτε όλες τις προειδοποιήσεις και τις οδηγίες για μελλοντική παραπομπή.

Στις προειδοποιήσεις, ο όρος «ηλεκτρικό εργαλείο» αναφέρεται σε ηλεκτρικό εργαλείο που τροφοδοτείται από την κύρια παροχή ηλεκτρικού ρεύματος (με ηλεκτρικό καλώδιο) ή σε ηλεκτρικό εργαλείο που τροφοδοτείται από μπαταρία (χωρίς ηλεκτρικό καλώδιο).

### Προειδοποιήσεις ασφαλείας για το φορητό κονταροψάλιδο μπορντούρας

1. Απομακρύνετε όλα τα μέρη του σώματος από τη λάμα. Μην αφαιρείτε το κομμένο υλικό και μην κρατάτε το υλικό προς κοπή όταν οι λάμες κινούνται. Οι λάμες συνεχίζουν να κινούνται μετά την απενεργοποίηση του διακόπτη. Μια στιγμή απροσεξίας κατά τη διάρκεια χειρισμού του ψαλιδιού μπορντούρας μπορεί να προκαλέσει σοβαρό τραυματισμό.
2. Μεταφέρετε το ψαλίδι μπορντούρας από τη λάβη με τη λάμα σταματημένη και προσέχετε να μην θέσετε τον διακόπτη λειτουργίας σε λειτουργία. Η σωστή μεταφορά του ψαλιδιού μπορντούρας θα μειώσει τον κίνδυνο αθλήτης έναρξης και τον επακόλουθο προσωπικό τραυματισμό από τις λάμες.

3. Κατά τη μεταφορά ή την αποθήκευση του ψαλιδιού μπορντούρας, να τοποθετείτε πάντα το κάλυμμα της λάμας. Ο σωστός χειρισμός του ψαλιδιού μπορντούρας θα μειώσει τον κίνδυνο προσωπικού τραυματισμού από τις λάμες.
4. Όταν καθαρίζετε μπλοκαρισμένο υλικό ή πραγματοποιείτε σέρβις στη μονάδα, να βεβαιώσετε ότι όλοι οι διακοπές λειτουργίας είναι σβηστοί και η κασέτα μπαταριών έχει αφαιρεθεί ή αποσυνδεθεί. Η απρόσμενη ενεργοποίηση του ψαλιδιού μπορντούρας κατά τον καθαρισμό του μπλοκαρισμένου υλικού ή το σέρβις μπορεί να έχει ως αποτέλεσμα σοβαρό προσωπικό τραυματισμό.
5. Κρατάτε το ψαλίδι μπορντούρας μόνο από τις μονωμένες επιφάνειες λαβής επειδή η λάμα μπορεί να κάνει επαφή με το κρυμμένο καλώδιο. Σε περίπτωση επαφής των λαμών με ηλεκτροφόρο καλώδιο, μπορεί να εκθεθείμετα μεταλλικά εξαρτήματα του ψαλιδιού μπορντούρας να καταστούν τα ίδια ηλεκτροφόρα και να προκαλέσουν ηλεκτροπληξία στο χειριστή.
6. Να κρατάτε όλα τα ηλεκτρικά καλώδια και τα σύρματα μακριά από την περιοχή κοπής. Τα ηλεκτρικά καλώδια ή τα σύρματα μπορεί να είναι κρυμμένα στις μπορντούρες ή τους θάμνους και να κοπούν κατά λάθος από τη λάμα.
7. Μην χρησιμοποιείτε το ψαλίδι μπορντούρας σε άσχημες καιρικές συνθήκες, ειδικά όταν υπάρχει κίνδυνος κεραυνών. Αυτό μειώνει τον κίνδυνο να χτυπηθείτε από κεραυνό.
8. Για να μειώσετε τον κίνδυνο ηλεκτροπληξίας, μην χρησιμοποιείτε ποτέ το κονταροψάλιδο μπορντούρας κοντά σε οποιεσδήποτε ηλεκτρικές γραμμές. Η επαφή με ηλεκτρικές γραμμές ή η χρήση κοντά σε αυτές μπορεί να προκαλέσει σοβαρό τραυματισμό ή ηλεκτροπληξία με αποτέλεσμα τον θάνατο.
9. Να χρησιμοποιείτε πάντα δύο χέρια όταν χρησιμοποιείτε το κονταροψάλιδο μπορντούρας. Να κρατάτε το κονταροψάλιδο μπορντούρας και με τα δύο χέρια για να αποφεύγεται η απώλεια ελέγχου.
10. Να χρησιμοποιείτε πάντα προστασία κεφαλιού κατά τη λειτουργία του κονταροψάλιδου μπορντούρας από ύψους. Η πτώση θραυσμάτων μπορεί να έχει ως αποτέλεσμα σοβαρό προσωπικό τραυματισμό.
4. Σε περίπτωση επείγουσας ανάγκης, απενεργοποιήστε αμέσως το εργαλείο και αφαιρέστε την κασέτα μπαταριών.
5. ΚΙΝΔΥΝΟΣ - Να διατηρείτε τα χέρια σας μακριά από τη λάμα. Η επαφή με τη λάμα θα έχει ως αποτέλεσμα σοβαρό προσωπικό τραυματισμό.
6. Όσοι χρησιμοποιούν το εργαλείο για πρώτη φορά θα πρέπει να ζητήσουν από έναν έμπειρο χρήστη να τους δείξει πώς να χρησιμοποιήσουν το εργαλείο.
7. Πριν τη λειτουργία, εξετάστε αν υπάρχουν συρματινί φράχτες, πέτρες ή άλλα στερεά αντικείμενα στην περιοχή εργασίας. Μπορεί να προκαλέσουν ζημιά στις λάμες.
8. Να χρησιμοποιείτε το ψαλίδι μπορντούρας μόνο αν βρίσκεστε σε καλή σωματική κατάσταση. Αν είστε κουρασμένοι, ή προσοχή σας θα είναι μειωμένη. Προσέξτε ιδιαίτερα κατά το τέλος της μέρας εργασίας. Εκτελέστε όλες τις εργασίες με ηρεμία και προσοχή. Ο χρήστης είναι υπεύθυνος για όλες τις ζημιές σε άλλα άτομα.
9. Πριν ξεκινήσετε οποιαδήποτε εργασία, ελέγξτε για να βεβαιωθείτε ότι το ψαλίδι βρίσκεται σε καλή και ασφαλή κατάσταση εργασίας. Βεβαιωθείτε ότι οι προφυλακτήρες είναι τοποθετημένα σωστά. Το ψαλίδι μπορντούρας δεν πρέπει να χρησιμοποιηθεί αν δεν είναι πλήρως συναρμολογημένο.
10. Να αποφεύγετε τα επικίνδυνα περιβάλλοντα. Μην χρησιμοποιείτε το εργαλείο σε υγραμένο ή υγρό χώρο ούτε να το εκθέτετε στη βροχή. Η είσοδος νερού στο εργαλείο μπορεί να αυξήσει τον κίνδυνο πρόκλησης ηλεκτροπληξίας.

#### Προσωπικός προστατευτικός εξοπλισμός

1. Τα γάντια εργασίας από ανθεκτικό δέρμα αποτελούν μέρος του βασικού εξοπλισμού του ψαλιδιού μπορντούρας και πρέπει πάντα να φοριούνται κατά την εργασία με αυτό. Επίσης, να φοράτε σταθερά παπούτσια με αντιολισθητικές σόλες.
2. Φοράτε προστατευτικά αυτιών, όπως ωτοασπίδες, για να αποτρέψετε την απώλεια της ακοής σας.
3. Φοράτε προστατευτικά γυαλιά, κράνος ασφαλείας και προστατευτικά γάντια για να προστατεύσετε τον εαυτό σας από τα αντικείμενα που εκτοξεύονται ή πέφτουν.
4. Όταν αγγίζετε λάμες ή ρυθμίζετε τη γωνία λάμας, να φοράτε προστατευτικά γάντια. Οι λάμες μπορούν να κόψουν σοβαρά τα γυμνά χέρια.

#### Λειτουργία

1. Να χρησιμοποιείτε πάντα και τα δύο χέρια για να θέτετε σε λειτουργία το εργαλείο. Αν χρησιμοποιήσετε ένα χέρι, μπορεί να προκληθεί απώλεια ελέγχου και να έχει ως αποτέλεσμα σοβαρό προσωπικό τραυματισμό.
2. Ενώ λειτουργείτε το εργαλείο, να εξασφαλίζετε πάντα ότι η θέση λειτουργίας είναι ασφαλής και ασφαλισμένη. Είναι εξαιρετικά επικίνδυνο να τεντώνετε ενώ χρησιμοποιείτε το εργαλείο, ειδικά όταν βρίσκεστε επάνω σε σκάλα. Μην εργάζεστε ενώ στέκεστε επάνω σε οτιδήποτε ασταθές ή αδύναμο.

## Επιπρόσθετες οδηγίες για την ασφάλεια

### Προετοιμασία

1. ΑΥΤΟ ΤΟ ΨΑΛΙΔΙ ΜΠΟΡΝΤΟΥΡΑΣ ΜΠΟΡΕΙ ΝΑ ΠΡΟΚΑΛΕΣΕΙ ΣΟΒΑΡΟΥΣ ΤΡΑΥΜΑΤΙΣΜΟΥΣ. Διαβάστε τις οδηγίες προσεκτικά για το σωστό χειρισμό, προετοιμασία, συντήρηση, εκκίνηση και διακοπή του εργαλείου. Εξοικειωθείτε με όλα τα χειριστήρια και τη σωστή χρήση του εργαλείου.
2. Ελέγχετε τους φράχτες από θάμνους και τους θάμνους για ξένα αντικείμενα, όπως συρματινίους φράχτες ή κρυμμένα καλώδια, πριν θέσετε σε λειτουργία το εργαλείο.
3. Το ψαλίδι μπορντούρας δεν πρέπει να χρησιμοποιείται από παιδιά και νέους κάτω των 18 ετών. Εξαιρούνται από αυτήν την απαγόρευση οι νέοι άνω των 16 ετών που εκπαιδεύονται υπό την επίβλεψη ειδικού.

3. Μην φοράτε ταυτόχρονα πολλαπλούς ιμάντες ζώνης ή/και ιμάντες ώμου ενώ λειτουργείτε το εργαλείο.
  4. Κατά τη διάρκεια της λειτουργίας, οι παρευρισκόμενοι ή τα ζώα πρέπει να παραμένουν τουλάχιστον 15 μέτρα μακριά από το εργαλείο. Να διακόπτετε τη λειτουργία του εργαλείου μόλις κάποιος πλησιάσει.
  5. Αν το κοπτικό εργαλείο χτυπήσει οποιοδήποτε αντικείμενο ή το εργαλείο αρχίσει να παράγει ασυνήθιστο θόρυβο ή δόνηση, σβήστε αμέσως το εργαλείο και βγάλτε την κασέτα μπαταριών, και αφήστε το εργαλείο να ακινητοποιηθεί. Και μετά πραγματοποιήστε τα ακόλουθα βήματα:
    - επιθεωρήστε για ζημιά
    - ελέγξτε για χαλαρά μέρη και σφίξτε τα ανάλογα
    - αντικαταστήστε ή επισκευάστε τυχόν κατεστραμμένα εξαρτήματα με γνήσια ανταλλακτικά.
  6. Να χρησιμοποιείτε το εργαλείο μόνο για το ενδεδειγμένο σκοπό του. Μην χρησιμοποιείτε το εργαλείο για οποιονδήποτε άλλο σκοπό.
  7. Απενεργοποιήστε το εργαλείο και αφαιρέστε την κασέτα μπαταριών πριν:
    - τον καθαρισμό ή πριν καθαρίσετε κάποια εμπλοκή,
    - ελέγξετε, εκτελέσετε συντήρηση ή εκτελέσετε εργασίες στο εργαλείο,
    - ρυθμίσετε τη θέση εργασίας των λαμών κουρευτικού,
    - αφήσετε το εργαλείο χωρίς επιτήρηση.
  8. Βεβαιωθείτε ότι το εργαλείο έχει τοποθετηθεί σωστά στην καθορισμένη θέση εργασίας πριν την εκκίνηση του εργαλείου.
  9. Μην λειτουργείτε το εργαλείο με κατεστραμμένες ή υπερβολικά φθαρμένες λάμες κουρευτικού.
  10. Να γνωρίζετε τον περιβάλλοντα χώρο και να είσαστε σε ετοιμότητα για πιθανούς κινδύνους που μπορεί να μην γνωρίζετε λόγω του θορύβου του εργαλείου.
  11. Κατά τη λειτουργία, προσέχετε να μην έρθει το εργαλείο σε επαφή με μεταλλικό φράχτη ή άλλα σκληρά αντικείμενα. Η λάμα θα σπάσει και μπορεί να προκαλέσει σοβαρό τραυματισμό.
  12. Να αποφεύγετε την αθέλητη εκκίνηση του εργαλείου. Μην μεταφέρετε το εργαλείο όταν η κασέτα μπαταριών είναι τοποθετημένη και η κοπή δάκτυλο στο διακόπτη. Να βεβαιώνετε ότι ο διακόπτης είναι σβηστός όταν τοποθετείτε την κασέτα μπαταριών.
  13. Μην πιάνετε τις εκτεθειμένες λάμες κοπής ή τα κοπτικά άκρα όταν σηκώνετε ή κρατάτε το εργαλείο.
  14. Μην ασκείτε δύναμη στο εργαλείο. Το εργαλείο θα πραγματοποιήσει την εργασία καλύτερα και με μικρότερη πιθανότητα για κίνδυνο τραυματισμού στο ρυθμό για τον οποίο σχεδιάστηκε.
  15. Μην χρησιμοποιήσετε το εργαλείο στη βροχή ή σε βρεγμένες ή πολύ νωπές συνθήκες. Το ηλεκτρικό μοτέρ δεν είναι αδιάβροχο.
  16. Κρατήστε το εργαλείο σταθερά όταν χρησιμοποιείτε το εργαλείο.
  17. Μην θέτετε το εργαλείο σε λειτουργία χωρίς φορτίο όταν αυτό δεν είναι απαραίτητο.
  18. Πριν ελέγξετε τις λάμες κουρευτικού, διορθώστε μια βλάβη ή αφαιρέστε ξένα υλικά που πιπίστηκαν στις λάμες κουρευτικού, να σβήνετε πάντα το εργαλείο και να βγάξετε την κασέτα μπαταριών.
  19. Μην στρέψετε ποτέ τις λάμες κουρευτικού προς το μέρος σας ή προς τους άλλους.
  20. Αν οι λάμες σταματήσουν να κινούνται επειδή κόλλησαν ξένα αντικείμενα μεταξύ των λαμών κατά τη λειτουργία, σβήστε το εργαλείο και αφαιρέστε την κασέτα μπαταριών, μετά αφαιρέστε το ξένο αντικείμενο χρησιμοποιώντας κάποιο εργαλείο, όπως μια πένα. Η αφαίρεση των ξένων αντικειμένων με το χέρι μπορεί να προκαλέσει τραυματισμό, επειδή οι λάμες μπορεί να κινηθούν σε αντίδραση της αφαίρεσης των ξένων αντικειμένων.
- ### Ηλεκτρική ασφάλεια και ασφάλεια μπαταρίας
1. Να αποφεύγετε να επικινδυνάτε περιβάλλοντα. Μην χρησιμοποιείτε το εργαλείο σε υγραμένο ή υγρό χώρο ούτε να το εκθέτετε στη βροχή. Η είσοδος νερού στο εργαλείο μπορεί να αυξήσει τον κίνδυνο πρόκλησης ηλεκτροπληξίας.
  2. Μην απορρίπτετε την μπαταρία(ίες) στη φωτιά. Το κελί μπορεί να εκραγεί. Συμβουλευτείτε τους τοπικούς κώδικες για πιθανές ειδικές οδηγίες απόρριψης.
  3. Μην απορρίπτετε και μην καταστρέψετε την μπαταρία(ίες). Ο ηλεκτρολύτης που εκλύεται είναι διαβρωτικός και μπορεί να προκαλέσει ζημιά στα μάτια ή στο δέρμα. Σε περίπτωση κατάποσης, μπορεί να είναι τοξικό.
  4. Μην φορτίζετε την μπαταρία στη βροχή, αλλά ούτε σε υγρές τοποθεσίες.
  5. Μην φορτίζετε τη μπαταρία σε εξωτερικό χώρο.
  6. Μην χειρίζεστε τον φορτιστή, συμπεριλαμβανομένου του φινι φορτιστή, και τους ακροδέκτες φορτιστή με βρεγμένα χέρια.
- ### Συντήρηση και αποθήκευση
1. Όταν το εργαλείο διακοπεί για συντήρηση, επιθεώρηση ή αποθήκευση, σβήστε το εργαλείο και αφαιρέστε την κασέτα μπαταριών, και βεβαιωθείτε ότι όλα τα κινούμενα εξαρτήματα έχουν ακινητοποιηθεί. Αφήστε το εργαλείο να ψυχθεί πριν πραγματοποιήσετε οποιαδήποτε επιθεώρηση, ρύθμιση, κτλ.
  2. Να αφήνετε πάντα το εργαλείο να ψυχθεί πριν την αποθήκευση.
  3. Όταν δεν χρησιμοποιείτε το εργαλείο, προσαρτήστε το κάλυμμα λαμών στο εργαλείο και αποθηκεύστε το εργαλείο σε εσωτερικό χώρο σε ένα στεγνό και υψηλό κλειδωμένο σημείο, που δεν φτάνουν τα παιδιά.
  4. Να συντηρείτε το εργαλείο με φροντίδα. Να διατηρείτε το κοπτικό άκρο αιχμηρό και καθαρό, για τη βέλτιστη απόδοση και τη μείωση του κινδύνου τραυματισμού. Να ακολουθείτε τις οδηγίες για τη λίπανση και την αλλαγή των εξαρτημάτων. Να φροντίζετε ώστε οι λαβές να διατηρούνται στεγνές, καθαρές και χωρίς ίχνη λαδιού ή γράσου.



5. Να ελέγχετε τα μέρη με ζημιά. Πριν από την περαιτέρω χρήση του εργαλείου, θα πρέπει να ελέγχετε προσεκτικά τυχόν εξάρτημα με ζημιά για να καθορίσετε αν θα λειτουργήσουν σωστά και αν θα πραγματοποιήσουν την προοριζόμενη λειτουργία τους. Ελέγξτε την ευθυγράμμιση των κινούμενων μερών, την ελεύθερη κίνηση των κινούμενων μερών, το τυχόν σπάσιμο εξαρτημάτων, τη στερέωση και οποιαδήποτε άλλη συνθήκη που ενδεχομένως να επηρεάσει τη λειτουργία του εργαλείου. Ένας προφυλακτήρας ή άλλο εξάρτημα με ζημιά θα πρέπει να επισκευαστεί ή να αντικατασταθεί σωστά σε εξουσιοδοτημένο κέντρο σέρβις.
6. Να χρησιμοποιείτε μόνο γνήσια ανταλλακτικά.
7. Όταν μετακινείτε το εργαλείο σε άλλη τοποθεσία, συμπεριλαμβανόμενα κατά τη διάρκεια της εργασίας, να αφαιρείτε πάντα την κασέτα μπαταριών και να τοποθετείτε το κάλυμμα λαμών στις λάμες κουρευτικού. Μην μεταφέρετε ποτέ το εργαλείο με τις λάμες σε λειτουργία. Μην πιάνετε ποτέ τις λάμες με τα χέρια σας.
8. Να καθαρίζετε το εργαλείο, και ειδικά τις λάμες κουρευτικού, μετά τη χρήση και πριν τοποθετήσετε το εργαλείο για αποθήκευση για μεγάλες χρονικές περιόδους. Αποθήκευστε ελαφρά τις λάμες κουρευτικού και τοποθετήστε το κάλυμμα λαμών.
9. Μη απορρίπτετε την μπαταρία(ιες) στη φωτιά. Το κελί μπορεί να εκραγεί. Συμβουλευτείτε τους τοπικούς κώδικες για πιθανές ειδικές οδηγίες απόρριψης.
10. Μη απορρίπτετε και μην καταστρέψετε την μπαταρία(ιες). Ο ηλεκτρολύτης που εκλύεται είναι διαβρωτικός και μπορεί να προκαλέσει ζημιά στα μάτια ή στο δέρμα. Σε περίπτωση κατάποσης, μπορεί να είναι τοξικό.
11. Μη φορτίζετε την μπαταρία στη βροχή, αλλά ούτε σε υγρές τοποθεσίες.

5. Μην βραχυκυκλώνετε την κασέτα μπαταριών:
  - (1) Μην αγγίζετε τους πόλους με οτιδήποτε αγώγιμο υλικό.
  - (2) Αποφεύγετε να αποθηκεύετε την κασέτα μπαταριών μέσα σε ένα δοχείο μαζί με άλλα μεταλλικά αντικείμενα όπως καρφιά, νομίσματα, κλπ.
  - (3) Μην εκθέτετε την κασέτα μπαταριών στο νερό ή στη βροχή.
 Ένα βραχυκύκλωμα μπαταρίας μπορεί να προκαλέσει μεγάλη ροή ρεύματος, υπερθέρμανση, πιθανά εγκαύματα ακόμη και σοβαρή βλάβη.
6. Μην αποθηκεύετε και μην χρησιμοποιείτε το εργαλείο και την κασέτα μπαταριών σε τοποθεσίες όπου η θερμοκρασία μπορεί να φτάσει ή να ξεπεράσει τους 50°C.
7. Μην καίτε την κασέτα μπαταριών ακόμη και εάν έχει σοβαρή ζημιά ή είναι εντελώς φθαρμένη. Η κασέτα μπαταριών μπορεί να εκραγεί στη φωτιά.
8. Μην καρφώσετε, κόψετε, συνθλίψετε, πετάξετε ή ριζέτε κάτω την κασέτα μπαταριών, ούτε να χτυπήσετε ένα σκληρό αντικείμενο επάνω στην κασέτα μπαταριών. Τέτοια συμπεριφορά μπορεί να έχει ως αποτέλεσμα πυρκαγιά, υπερθέρμανση ή έκρηξη.
9. Μη χρησιμοποιείτε μπαταρία που έχει υποστεί ζημιά.
10. Οι μπαταρίες ιόντων λιθίου που περιέχονται υποκείνται στις απαιτήσεις της νομοθεσίας για επικίνδυνα αγαθά.
 Για εμπορικές μεταφορές, για παράδειγμα από τρίτα μέρη, πρέπει να τηρούνται οι διαμεταφορές, οι ειδικές απαιτήσεις στη συσκευασία και η επισήμανση. Για προετοιμασία του στοιχείου που αποστέλλεται, είναι απαραίτητο να συμβουλευτείτε έναν ειδικό για επικίνδυνα υλικά. Επίσης, τηρήστε τους πιθανούς, πιο αναλυτικούς εθνικούς κανονισμούς. Καλύψτε με αυτοκόλλητη ταινία ή κρύψτε τις ανοικτές επαφές και συσκευάστε την μπαταρία με τρόπο που να μην μπορεί να μετακινείται μέσα στη συσκευασία.
11. Όταν απορρίπτετε την κασέτα μπαταριών, αφαιρέστε την από το εργαλείο και διαθέστε την σε ένα ασφαλές μέρος. Τηρήστε τους τοπικούς κανονισμούς που σχετίζονται με τη διάθεση της μπαταρίας.
12. Χρησιμοποιήστε τις μπαταρίες μόνο με τα προϊόντα που καθορίζει η Makita. Αν τοποθετήσετε τις μπαταρίες σε μη συμβατά προϊόντα μπορεί να έχει ως αποτέλεσμα πυρκαγιά, υπερβολική θερμότητα, έκρηξη ή διαρροή ηλεκτρολύτη.
13. Αν δεν χρησιμοποιείτε το εργαλείο για μεγάλο χρονικό διάστημα, πρέπει να βγάλετε την μπαταρία από το εργαλείο.
14. Κατά τη διάρκεια και μετά τη χρήση, η κασέτα μπαταριών μπορεί να θερμανθεί, γεγονός που μπορεί να προκαλέσει εγκαύματα ή εγκαύματα από χαμηλή θερμοκρασία. Προσέχετε το χειρισμό των ζεστών κασετών μπαταριών.
15. Μην αγγίζετε τον ακροδέκτη του εργαλείου αμέσως μετά τη χρήση επειδή μπορεί να έχει ζεσταθεί αρκετά για να προκαλέσει εγκαύματα.
16. Μην αφήνετε θραύσματα, σκόνη ή βρομιά να κολλήσει στους ακροδέκτες, τις οπές και τις εγκοπές της κασέτας μπαταριών. Μπορεί να έχει ως αποτέλεσμα κακή απόδοση ή σπάσιμο του εργαλείου ή της κασέτας μπαταριών.

## ΦΥΛΑΞΤΕ ΤΙΣ ΟΔΗΓΙΕΣ ΑΥΤΕΣ.

**⚠️ ΠΡΟΕΙΔΟΠΟΙΗΣΗ:** ΜΗΝ επιτρέψετε το βαθμό άνεσης ή εξοικείωσης με το προϊόν (λόγω επανειλημμένης χρήσης) να αντικαταστήσει την αυστηρή τήρηση των κανόνων ασφαλείας του παρόντος εργαλείου. Η ΛΑΝΘΑΣΜΕΝΗ ΧΡΗΣΗ ή η αμέλεια να ακολουθήσετε τους κανόνες ασφαλείας που διατυπώνονται στο παρόν χειρίδιο οδηγιών μπορεί να προκαλέσει σοβαρό προσωπικό τραυματισμό.

## Σημαντικές οδηγίες ασφαλείας για κασέτα μπαταριών

1. Πριν χρησιμοποιήσετε την κασέτα μπαταριών, διαβάστε όλες τις οδηγίες και σημειώσεις προφυλάξης (1) στον φορτιστή μπαταριών, (2) στην μπαταρία και (3) στο προϊόν που χρησιμοποιεί την μπαταρία.
2. Μην αποσυναρμολογήσετε ή παραβιάσετε την κασέτα μπαταριών. Μπορεί να έχει ως αποτέλεσμα πυρκαγιά, υπερθέρμανση ή έκρηξη.
3. Εάν ο χρόνος λειτουργίας έχει γίνει υπερβολικά βραχύς, σταματήστε τη λειτουργία αμέσως. Αλλιώς, μπορεί να έχει ως αποτέλεσμα κίνδυνο υπερθέρμανσης, πιθανά εγκαύματα ή ακόμη και έκρηξη.
4. Εάν ηλεκτρολύτης μπει στα μάτια σας, ξεπλύνετε τα με καθαρό νερό και ζητήστε ιατρική φροντίδα αμέσως. Αλλιώς, μπορεί να έχει ως αποτέλεσμα απώλεια της όρασης σας.



17. Εκτός αν το εργαλείο υποστηρίζει τη χρήση κοντά σε ηλεκτρικές γραμμές υψηλής τάσης, μην χρησιμοποιείτε την κασέτα μπαταριών κοντά σε ηλεκτρικές γραμμές υψηλής τάσης. Μπορεί να έχει ως αποτέλεσμα δυσλειτουργία ή σπάσιμο του εργαλείου ή της κασέτας μπαταριών.
18. Κρφυλάξτε την μπαταρία μακριά από παιδιά.

## ΦΥΛΑΞΤΕ ΤΙΣ ΟΔΗΓΙΕΣ ΑΥΤΕΣ.

**ΠΡΟΣΟΧΗ:** Να χρησιμοποιείτε μόνο γνήσιες μπαταρίες της Makita. Η χρήση μη γνήσιων μπαταριών Makita, ή μπαταριών που έχουν τροποποιηθεί, μπορεί να έχει ως αποτέλεσμα τη ρήξη της μπαταρίας, προκαλώντας πυρκαγιά, προσωπικό τραυματισμό και βλάβη. Επίσης, θα ακυρωθεί η εγγύηση της Makita για το εργαλείο και φορτιστή Makita.

## Συμβουλές για τη διατήρηση της μέγιστης ζωής μπαταρίας

- Φορτίστε την κασέτα μπαταριών πριν από την πλήρη αποφόρτιση της. Πάντοτε να σταματάτε τη λειτουργία του εργαλείου και να φορτίσετε την κασέτα μπαταριών όταν παρατηρείτε μειωμένη ισχύ εργαλείου.
- Ποτέ μην επαναφορτίσετε μια πλήρως φορτισμένη κασέτα μπαταριών. Η υπερφόρτιση μειώνει την ωφέλιμη ζωή της μπαταρίας.
- Να φορτίσετε την κασέτα μπαταριών σε θερμοκρασία δωματίου, δηλαδή στους 10 °C έως 40 °C. Αφήστε μια θερμή κασέτα μπαταριών να κρυώσει πριν την φορτίσετε.
- Όταν δεν χρησιμοποιείτε την κασέτα μπαταριών, αφαιρέστε την από το εργαλείο ή τον φορτιστή.

## ΠΕΡΙΓΡΑΦΗ ΕΞΑΡΤΗΜΑΤΩΝ

► Εικ.1

1	Κεφαλή	2	Κουμπί ρύθμισης γωνίας	3	Μοχλός ασφάλισης	4	Παξιμάδι χειρός
5	Μπροστινή λαβή	6	Πίσω λαβή	7	Κασέτα μπαταριών	8	Σκανδάλη διακοπής
9	Κουμπί ασφάλισης	10	Λάμες κουρευτικού	-	-	-	-

## ΠΕΡΙΓΡΑΦΗ ΛΕΙΤΟΥΡΓΙΑΣ

**ΠΡΟΣΟΧΗ:** Να φροντίζετε πάντα για την απεργοποίηση του εργαλείου και την αφαίρεση της κασέτας μπαταρίας, πριν από οποιαδήποτε ρύθμιση ή έλεγχο της λειτουργίας του.

### Τοποθέτηση ή αφαίρεση της κασέτας μπαταριών

**ΠΡΟΣΟΧΗ:** Να σβήνετε πάντα το εργαλείο πριν τοποθετήσετε ή αφαιρέσετε την κασέτα μπαταριών.

**ΠΡΟΣΟΧΗ:** Κρατήστε το εργαλείο και την κασέτα μπαταριών σταθερά κατά την τοποθέτηση ή αφαίρεση της κασέτας μπαταριών. Εάν δεν κρατάτε το εργαλείο και την κασέτα μπαταριών σταθερά μπορεί να γλιστρήσουν από τα χέρια σας και να προκαληθεί βλάβη στο εργαλείο και την κασέτα μπαταριών και προσωπικός τραυματισμός.

► Εικ.2: 1. Κόκκινος δείκτης 2. Κουμπί 3. Κασέτα μπαταριών

Για να αφαιρέσετε την κασέτα μπαταριών, ολισθήστε την από το εργαλείο ενώ σύρετε το κουμπί στο μπροστινό μέρος της κασέτας.

Για να τοποθετήσετε την κασέτα μπαταριών, ευθυγραμμίστε τη γλώσσα στην κασέτα μπαταριών με την εγκοπή στο περίβλημα και ολισθήστε τη στη θέση της. Τοποθετήστε την μέχρι τέρμα μέχρι να ασφαλίσει στη θέση της, γεγονός που υποδεικνύεται με ένα χαρακτηριστικό ήχο. Αν μπορείτε να δείτε τον κόκκινο δείκτη όπως απεικονίζεται στην εικόνα, δεν έχει κλειδωθεί τελείως.

**ΠΡΟΣΟΧΗ:** Να τοποθετείτε πάντα την κασέτα μπαταριών πλήρως μέχρι να μη βλέπετε τον κόκκινο δείκτη. Εάν δεν ασφαλιστεί, μπορεί να πέσει από το εργαλείο τυχαία, προκαλώντας σωματική βλάβη σε εσάς ή κάποιον άλλο γύρω σας.

**ΠΡΟΣΟΧΗ:** Μην τοποθετείτε την κασέτα μπαταριών με βία. Εάν η κασέτα δεν ολισθαίνει με ευκολία, τότε δεν έχει τοποθετηθεί κατάλληλα.

### Εμφάνιση υπολειπόμενης χωρητικότητας μπαταρίας

Μόνο για κασέτες μπαταρίας με την ενδεικτική λυχνία

► Εικ.3: 1. Ενδεικτικές λυχνίες 2. Κουμπί ελέγχου

Πιέστε το κουμπί ελέγχου στην κασέτα μπαταριών για να υποδείξετε την υπολειπόμενη χωρητικότητα μπαταρίας. Οι ενδεικτικές λυχνίες ανάβουν για λίγα δευτερόλεπτα.

Ενδεικτικές λυχνίες		Υπόλοιπη χωρητικότητα
Αναμμένες	Σβηστές	
■ ■ ■ ■	□	75% έως 100%
■ ■ ■ □	□	50% έως 75%
■ ■ □ □	□	25% έως 50%
■ □ □ □	□	0% έως 25%

**ΠΑΡΑΤΗΡΗΣΗ:** Ανάλογα με τις συνθήκες χρήσης και τη θερμοκρασία περιβάλλοντος, η ένδειξη μπορεί να διαφέρει λίγο από την πραγματική χωρητικότητα.

## Σύστημα προστασίας εργαλείου/μπυαρίας

Το μηχάνημα είναι εξοπλισμένο με ένα σύστημα προστασίας μπιαρίας. Αυτό το σύστημα αποκόπτει αυτόματα την ισχύ προς το μοτέρ για να παραταθεί η διάρκεια ζωής της μπιαρίας.

Το μηχάνημα σταματάει αυτόματα κατά τη διάρκεια της λειτουργίας αν το μηχάνημα ή/και η μπιαρία βρεθούν κάτω από τις παρακάτω συνθήκες:

### Υπερφόρτωση:

Το εργαλείο λειτουργεί με τρόπο ώστε να αναγκάζεται να καταναλώνει ασυνήθιστα υψηλό ρεύμα. Σε αυτή την κατάσταση, απενεργοποιήστε το εργαλείο και διακόψτε την εφαρμογή που προκαλεί την υπερφόρτωση του εργαλείου. Μετά, ενεργοποιήστε το εργαλείο για επανεκκίνηση.

Αν το εργαλείο δεν ξεκινάει, η μπιαρία έχει υπερθερμανθεί. Σε αυτή την κατάσταση, αφήστε την μπιαρία να κρυώσει πριν ενεργοποιήσετε ξανά το εργαλείο.

### Χαμηλή τάση μπιαρίας:

Η εναπομείνουσα χωρητικότητα μπιαρίας είναι πολύ χαμηλή και το εργαλείο δεν θα λειτουργήσει. Αν ενεργοποιήσετε το εργαλείο, το μοτέρ θα τεθεί ξανά σε λειτουργία αλλά θα σταματήσει σύντομα. Σε αυτή την περίπτωση, αφαιρέστε και επαναφορτίστε την μπιαρία.

## Δράση διακόπτη

**ΠΡΟΕΙΔΟΠΟΙΗΣΗ:** Πριν βάλετε την κασέτα μπιαρίας μέσα στο εργαλείο, να ελέγχετε πάντα να δείτε αν η σκανδάλη διακόπτης ενεργοποιείται κανονικά και επιστρέφει στη θέση «OFF» όταν ελευθερώνεται.

**ΠΡΟΕΙΔΟΠΟΙΗΣΗ:** Για την ασφάλειά σας, το εργαλείο αυτό παρέχεται με κουμπί ασφάλισης το οποίο αποτρέπει την εκκίνηση του εργαλείου κατά λάθος. Μη χρησιμοποιείτε ποτέ το εργαλείο αν εκκινείται όταν τραβήξετε τη σκανδάλη διακόπτη χωρίς να πατήσετε και το κουμπί ασφάλισης. Απευθυνθείτε στο τοπικό κέντρο σέρβις της Makita για επισκευή.

**ΠΡΟΕΙΔΟΠΟΙΗΣΗ:** Μην απενεργοποιείτε ποτέ τη λειτουργία κλειδώματος και μην κολλάτε ποτέ το κουμπί ασφάλισης.

**ΕΙΔΟΠΟΙΗΣΗ:** Μην τραβήξετε τη σκανδάλη διακόπτη με δύναμη χωρίς να πατήσετε το κουμπί ασφάλισης. Ο διακόπτης μπορεί να σπάσει.

► **Εικ.4:** 1. Κουμπί ασφάλισης 2. Σκανδάλη διακόπτης

Για να μην τραβηχτεί κατά λάθος η σκανδάλη διακόπτης, παρέχεται ένα κουμπί κλειδώματος.

Για να ξεκινήσετε τη λειτουργία του εργαλείου, πατήστε το κουμπί ασφάλισης και τραβήξτε τη σκανδάλη διακόπτη. Ελευθερώστε τη σκανδάλη διακόπτη για να σταματήσει. Μπορείτε να πατήσετε το κουμπί ασφάλισης από τα δεξιά ή τα αριστερά.

## Ρύθμιση της γωνίας κοπής

**ΠΡΟΣΟΧΗ:** Να βεβαιώνετε πάντα ότι το εργαλείο είναι απενεργοποιημένο πριν διπλώσετε ή ξεδιπλώσετε την κεφαλή.

**ΠΡΟΣΟΧΗ:** Όταν διπλώνετε την κεφαλή για τη μεταφορά του εργαλείου ή μετά τη χρήση του εργαλείου, βεβαιωθείτε να προσαρτήσετε το κάλυμμα λαμών πριν διπλώσετε την κεφαλή.

**ΠΡΟΣΟΧΗ:** Όταν διπλώνετε την κεφαλή, προσέχετε να μην πιάσουν τα δάχτυλά σας μεταξύ της κεφαλής και του σώματος του εργαλείου.

Η γωνία της κεφαλής μπορεί να ρυθμιστεί σε 10 βήματα. Για να αλλάξετε τη γωνία της κεφαλής, ακολουθήστε τα παρακάτω βήματα.

1. Να κρατάτε την κεφαλή και το σώμα του εργαλείου όπως απεικονίζεται στην εικόνα.

► **Εικ.5:** 1. Κεφαλή 2. Κουμπί ρύθμισης γωνίας

2. Ρυθμίστε τη γωνία της κεφαλής ενώ κρατάτε πατημένο το κουμπί ρύθμισης γωνίας και, στη συνέχεια, αφήστε το κουμπί ρύθμισης γωνίας.

3. Μετακινήστε λίγο την κεφαλή μέχρι να ασφαλιστεί με ένα κλικ.

**ΠΑΡΑΤΗΡΗΣΗ:** Βεβαιωθείτε ότι η κεφαλή έχει ασφαλιστεί καλά πριν λειτουργήσετε το εργαλείο.

## Ρύθμιση του μήκους σωλήνα

**ΠΡΟΣΟΧΗ:** Να βεβαιώνετε πάντα ότι το εργαλείο είναι απενεργοποιημένο πριν ρυθμίσετε το μήκος του σωλήνα.

**ΠΡΟΣΟΧΗ:** Όταν ρυθμίζετε το μήκος του σωλήνα, βεβαιωθείτε να συνδέσετε το κάλυμμα λαμών πριν ρυθμίσετε το μήκος σωλήνα.

**ΠΡΟΣΟΧΗ:** Όταν ρυθμίζετε το μήκος σωλήνα, προσέχετε να μην πιάσετε τα δάχτυλά σας.

**ΠΡΟΣΟΧΗ:** Βεβαιωθείτε ότι ο μοχλός ασφάλισης είναι καλά ασφαλισμένος.

Χαλαρώστε τον μοχλό ασφάλισης, μετά ρυθμίστε το μήκος του σωλήνα και, στη συνέχεια, ασφαλίστε τον μοχλό ασφάλισης.

► **Εικ.6:** 1. Μοχλός ασφάλισης

## Ρύθμιση της θέσης της μπροστινής λαβής

**ΠΡΟΣΟΧΗ:** Να βεβαιώνετε πάντα ότι το εργαλείο είναι σβηστό πριν ρυθμίσετε τη θέση της μπροστινής λαβής.

**ΠΡΟΣΟΧΗ:** Όταν ρυθμίζετε τη θέση της μπροστινής λαβής, προσέχετε να μην πιάσετε τα δάχτυλά σας.

**ΠΡΟΣΟΧΗ:** Βεβαιωθείτε ότι το παξιμάδι χειρός είναι σφιγμένο καλά.

**ΠΡΟΣΟΧΗ:** Μην μετακινείτε την μπροστινή λαβή πέρα από την ένδειξη βέλους.

Για να ρυθμίσετε τη θέση της μπροστινής λαβής, χαλαρώστε το παξιμάδι χειρός περιστρέφοντάς το αριστερόστροφα, μετά ρυθμίστε τη θέση της μπροστινής λαβής και, στη συνέχεια, σφίξτε το παξιμάδι χειρός περιστρέφοντάς το δεξιόστροφα.

► **Εικ.7:** 1. Παξιμάδι χειρός 2. Σημάδι βέλους

## ΣΥΝΑΡΜΟΛΟΓΗΣΗ

**▲ΠΡΟΣΟΧΗ:** Να βεβαιώνεστε πάντα ότι το εργαλείο είναι ορθό και η κασέτα μπαταρίας έχει αφαιρεθεί πριν εκτελέσετε κάποια εργασία στο εργαλείο.

**▲ΠΡΟΣΟΧΗ:** Όταν αντικαθιστάτε τις λάμες κουρευτικού, να φοράτε πάντα γάντια για να μην έρχονται τα χέρια σας σε απευθείας επαφή με τις λάμες.

## Τοποθέτηση ή αφαίρεση των λαμών κουρευτικού

**▲ΠΡΟΣΟΧΗ:** Προσαρτήστε το κάλυμμα λαμών πριν αφαιρέσετε ή τοποθετήσετε τις λάμες κουρευτικού.

**ΕΙΔΟΠΟΙΗΣΗ:** Όταν αντικαθιστάτε τις λάμες κουρευτικού, μη σκουπίζετε το γράσο από το γρανάζι και στρόφαλο.

**ΠΑΡΑΤΗΡΗΣΗ:** Πριν τοποθετήσετε ή αφαιρέσετε τις λάμες κουρευτικού, ξεδιπλώστε την κεφαλή του εργαλείου με τρόπο ώστε η κεφαλή να βρίσκεται σε ευθεία με το σώμα του εργαλείου.

1. Αφήστε το εργαλείο ανάποδα.
2. Αφαιρέστε τις 4 βίδες με ένα κατσαβίδι και αφαιρέστε τις λάμες κουρευτικού.

► **Εικ.8:** 1. Βίδα

3. Αφαιρέστε τον στρόφαλο από τις λάμες κουρευτικού.

► **Εικ.9:** 1. Στρόφαλος

**ΠΑΡΑΤΗΡΗΣΗ:** Ο στρόφαλος μπορεί να παραμείνει στο εργαλείο.

4. Προετοιμάστε το στρόφαλο και τις καινούριες λάμες κουρευτικού.
- **Εικ.10:** 1. Στρόφαλος 2. Λάμες κουρευτικού
5. Αφαιρέστε το κάλυμμα λαμών και μετά προσαρτήστε το στις καινούριες λάμες κουρευτικού.
6. Εφαρμόστε μια μικρή ποσότητα γράσου στην περιφέρεια του στρόφαλου. Προσαρτήστε τη ροδέλα, το γρανάζι και το στρόφαλο στον πείρο, με αυτή τη σειρά.

► **Εικ.11:** 1. Στρόφαλος 2. Γρανάζι 3. Ροδέλα  
4. Πείρος

7. Προσαρμόστε τον στρόφαλο ώστε οι 2 μικρές σπές στον στρόφαλο να ευθυγραμμίζονται με τη γραμμή ευθυγράμμισης που απεικονίζεται στην εικόνα.

► **Εικ.12:** 1. Γραμμή ευθυγράμμισης 2. Μικρή οπή

8. Σύρετε τις λάμες κουρευτικού με τρόπο ώστε η οπή στην πλάκα οδηγώ να είναι τοποθετημένη στο κέντρο των δακτυλίων των λαμών.

► **Εικ.13:** 1. Πλάκα οδηγός

9. Εισαγάγετε τη βίδα που αφαιρέθηκε στο βήμα 2 στην οπή στις λάμες κουρευτικού μέσω της σπής στο κάλυμμα λαμών.

► **Εικ.14:** 1. Οπή

10. Προσαρτήστε τις λάμες κουρευτικού στο εργαλείο και, στη συνέχεια, σφίξτε 3 βίδες με το κατσαβίδι.

► **Εικ.15:** 1. Βίδα

11. Αφαιρέστε τη βίδα που είχατε εισάγει στην οπή στις λάμες κουρευτικού στο βήμα 9 και μετά σφίξτε την για να στερεώσετε τις λάμες κουρευτικού.

**ΕΙΔΟΠΟΙΗΣΗ:** Αν οι λάμες κουρευτικού δεν λειτουργούν σωστά, οι λάμες δεν δεσμεύονται σωστά στον στρόφαλο. Αφαιρέστε τις λάμες και τοποθετήστε τις ξανά.

**ΕΙΔΟΠΟΙΗΣΗ:** Αν εξαρτήματα εκτός των λαμών κουρευτικού, όπως ο στρόφαλος, είναι φθαρμένα, ζητήστε από ένα εξουσιοδοτημένο κέντρο εξυπηρέτησης της Makita για αντικατάσταση ή επισκευή των εξαρτημάτων.

## Τοποθέτηση ή αφαίρεση του συλλογέα θραυσμάτων

### Προαιρετικό εξάρτημα

**▲ΠΡΟΣΟΧΗ:** Όταν τοποθετείτε ή αφαιρείτε τον συλλογέα θραυσμάτων, να φοράτε πάντα γάντια για να μην έρχονται τα χέρια σας σε απευθείας επαφή με τις λάμες κουρευτικού.

**▲ΠΡΟΣΟΧΗ:** Προσαρτήστε το κάλυμμα λαμών πριν τοποθετήσετε ή αφαιρέσετε τον συλλογέα θραυσμάτων.

Ο συλλογέας θραυσμάτων μαζεύει τα παρατεταμένα φύλλα και καθιστά τον μετέπειτα καθαρισμό πολύ πιο εύκολο. Μπορείτε να τον τοποθετήσετε σε οποιοδήποτε πλευρά του εργαλείου.

1. Ευθυγραμμίστε τις σπές στον συλλογέα θραυσμάτων με τα παξιμάδια στις λάμες κουρευτικού.

► **Εικ.16:** 1. Παξιμάδι

2. Αγκιστρώστε τα κλιπ του συλλογέα θραυσμάτων στην εγκοπή των λαμών κουρευτικού.

► **Εικ.17:** 1. Κλιπ 2. Εγκοπή

3. Πατήστε τους μοχλούς στον συλλογέα θραυσμάτων και, στη συνέχεια, αγκιστρώστε τα κλιπ στην άλλη πλευρά της εγκοπής στις λάμες κουρευτικού.

► **Εικ.18:** 1. Μοχλός

Για να αφαιρέσετε τον συλλογέα θραυσμάτων, πατήστε τους μοχλούς για να απασφαλίσετε τα κλιπ.

► **Εικ.19:** 1. Μοχλός

**ΕΙΔΟΠΟΙΗΣΗ:** Μην δοκιμάζετε ποτέ να αφαιρέσετε τον συλλογέα θραυσμάτων με υπερβολική δύναμη, με τα κλιπ του ασφαλισμένα στις εγκοπές των λαμών κουρευτικού.

# ΛΕΙΤΟΥΡΓΙΑ

## Λειτουργία του εργαλείου

**▲ ΠΡΟΕΙΔΟΠΟΙΗΣΗ:** Μην χρησιμοποιείτε το εργαλείο κοντά σε ηλεκτρικές γραμμές. Η επαφή με ηλεκτρικές γραμμές ή η χρήση του εργαλείου κοντά σε ηλεκτρικές γραμμές μπορεί να προκαλέσει σοβαρό τραυματισμό ή ηλεκτροπληξία με αποτέλεσμα τον θάνατο.

**▲ ΠΡΟΕΙΔΟΠΟΙΗΣΗ:** Να κρατάτε τα χέρια σας μακριά από τις λάμες κουρευτικού.

**▲ ΠΡΟΕΙΔΟΠΟΙΗΣΗ:** Δώστε μεγάλη προσοχή για να διατηρήσετε τον έλεγχο του εργαλείου ανά πάσα στιγμή. Μην αφήνετε το εργαλείο να εκτραπεί προς το μέρος σας ή προς οποιονδήποτε άλλον στην περιοχή εργασίας. Αν δεν διατηρείτε τον έλεγχο του εργαλείου, μπορεί να προκύψει σοβαρός τραυματισμός σε παρευρισκόμενους και στο χειριστή.

**▲ ΠΡΟΣΟΧΗ:** Αποφύγετε τη λειτουργία του εργαλείου σε πολύ ζεστό καιρό, όσο αυτό είναι εφικτό. Όταν χρησιμοποιείτε το εργαλείο, να προσέχετε τη σωματική σας κατάσταση.

**▲ ΠΡΟΣΟΧΗ:** Κατά το ψαλίδισμα, προσέχετε να μην έρθει το εργαλείο σε επαφή με μεταλλικό φράχτη ή άλλα σκληρά αντικείμενα. Οι λάμες κουρευτικού μπορεί να σπάσουν και να προκαλέσουν τραυματισμό.

**▲ ΠΡΟΣΟΧΗ:** Προσέξτε να μην αφήσετε τις λάμες κουρευτικού να έρθουν σε επαφή με το έδαφος. Διαφορετικά το εργαλείο μπορεί να ανατυλιχτεί και να προκαλέσει τραυματισμό.

**▲ ΠΡΟΣΟΧΗ:** Είναι εξαιρετικά επικίνδυνο να τεντώνετε με το ψαλίδι μπортνούρας, ειδικά όταν βρίσκεστε επάνω σε σκάλα. Μην εργάζεστε ενώ στέκεστε επάνω σε ο,τιδήποτε ασταθές ή αδύναμο.

**ΕΙΔΟΠΟΙΗΣΗ:** Μην επιχειρήσετε να κόβετε κλαδιά με διάμετρο μεγαλύτερη από 10 mm με το εργαλείο. Κόψτε τα κλαδιά στα 10 cm κάτω από το ύψος κοπής χρησιμοποιώντας κλαδευτήρες πριν χρησιμοποιήσετε το εργαλείο.

► **Εικ.20:** (1) Ύψος κοπής (2) 10 cm

**ΕΙΔΟΠΟΙΗΣΗ:** Μην κόβετε νεκρά δέντρα ή παρόμοια σκληρά αντικείμενα. Μπορεί να προκληθεί ζημιά στο εργαλείο.

**ΕΙΔΟΠΟΙΗΣΗ:** Μην ψαλιδίζετε το γκαζόν ή τα αγριόχορτα ενώ χρησιμοποιείτε τις λάμες κουρευτικού. Οι λάμες κουρευτικού μπορεί να μπερδευτούν στο γκαζόν ή στα αγριόχορτα.

Κρατήστε το εργαλείο και με τα δύο χέρια, κρατώντας την μπροστινή λαβή και την πίσω λαβή.

► **Εικ.21:** 1. Μπροστινή λαβή 2. Πίσω λαβή

Τραβήξτε τη σκανδάλη διακόπτη ενώ πατάτε το κουμπί ασφαλισής και μετά μετακινήστε το εργαλείο προς τα μπροστά.

► **Εικ.22**

Για βασική λειτουργία, γείρετε τις λάμες κουρευτικού προς την κατεύθυνση ψαλιδίσματος και μετακινήστε τις ήρεμα και αργά με ταχύτητα 3 έως 4 δευτερόλεπτα το μέτρο.

► **Εικ.23**

Για να κόψετε ομοιόμορφα την πλευρά μπортνούρας, να κουρεύετε από το κάτω μέρος προς τα πάνω.

► **Εικ.24**

Όταν ψαλιδίζετε για να δώσετε ένα στρογγυλό σχήμα (ψαλίδισμα πυξαριού ή ροδόδεντρου, κτλ.), να ψαλιδίζετε από τη ρίζα προς τα πάνω, για ένα όμορφο τελείωμα.

► **Εικ.25**

Αν ο συλλογέας θραυσμάτων είναι προσαρτημένος στις λάμες κουρευτικού, μαζεύει τα παραπτεταμένα φύλλα και καθιστά τον μετέπειτα καθαρισμό πολύ πιο εύκολο.

► **Εικ.26**

## ΣΥΝΤΗΡΗΣΗ

**▲ ΠΡΟΣΟΧΗ:** Πριν την εκτέλεση εργασιών επιθεώρησης ή συντήρησης, πάντοτε να βεβαιώνετε ότι η συσκευή απενεργοποιήθηκε και η κασέτα μπαταριών έχει αφαιρεθεί.

**▲ ΠΡΟΣΟΧΗ:** Όταν επιθεωρείτε ή συντηρείτε το εργαλείο, πάντα να αφήνετε το εργαλείο κάτω. Η συναρμολόγηση ή η ρύθμιση του εργαλείου σε όρθια θέση μπορεί να έχει ως αποτέλεσμα σοβαρό τραυματισμό.

Για τη διατήρηση της ΑΣΦΑΛΕΙΑΣ και ΑΞΙΟΠΙΣΤΙΑΣ του προϊόντος, οι επισκευές και οποιαδήποτε άλλη εργασία συντήρησης ή ρύθμισης πρέπει να εκτελούνται από εξουσιοδοτημένα ή εργοστασιακά κέντρα εξυπηρέτησης της Makita, χρησιμοποιώντας πάντοτε ανταλλακτικά της Makita.

## Καθαρισμός του εργαλείου

Καθαρίστε το εργαλείο σκουπίζοντας τη σκόνη με ένα στεγνό πανί ή ένα πανί διαποτισμένο με σαπουνόνερο αφού πρώτα το έχετε στύψει.

**ΕΙΔΟΠΟΙΗΣΗ:** Μην χρησιμοποιείτε ποτέ βενζίνη, πετρελαϊκό αιθέρα, διαλυτικό, αλκοόλη ή παρόμοιες ουσίες. Μπορεί να προκληθεί αποχρωματισμός, παραμόρφωση ή ρωγμές.

## Συντήρηση λαμών κουρευτικού

Πριν τη λειτουργία ή μία φορά κάθε ώρα κατά τη διάρκεια της λειτουργίας, εφαρμόστε λάδι χαμηλού ιξώδους (μηχανέλαιο ή λιπαντικό λάδι σε μορφή σπρέι) στις λάμες κουρευτικού.

► **Εικ.27**

Μετά τη λειτουργία, αφαιρέστε τη σκόνη και από τις δύο πλευρές των λαμών κουρευτικού με μια συμπαγή βούρτσα, σκουπίστε τις με ένα πανί και μετά εφαρμόστε λάδι χαμηλού ιξώδους (μηχανέλαιο ή λιπαντικό λάδι σε μορφή σπρέι) στις λάμες κουρευτικού.

► **Εικ.28**

**ΕΙΔΟΠΟΙΗΣΗ:** Μην πλένετε τις λάμες κουρευτικού σε νερό. Αν το κάνετε αυτό, μπορεί να προκληθεί σκουριά ή ζημιά στο εργαλείο.

**ΕΙΔΟΠΟΙΗΣΗ:** Το χρώμα και η διάβρωση μπορούν να προκαλέσουν υπερβολική τριβή στις λάμες και μείωση του χρόνου λειτουργίας ανά φόρτιση της μπαταρίας.

## Αποθήκευση

Προσαρτήστε το κάλυμμα λαμών στις λάμες κουρευτικού με τρόπο ώστε οι λάμες να μην εκτεθούν. Αποθηκεύστε το εργαλείο μακριά από παιδιά. Φυλάξτε το εργαλείο σε ένα μέρος που δεν εκτίθεται στην υγρασία και τη βροχή.

## ΑΝΤΙΜΕΤΩΠΙΣΗ ΠΡΟΒΛΗΜΑΤΩΝ

Πριν ζητήσετε επισκευές, εκτελέστε αρχικά τη δική σας επιθεώρηση. Αν εντοπίσετε πρόβλημα που δεν επεξηγείται στο εγχειρίδιο, μην επιχειρήσετε να αποσυναρμολογήσετε το εργαλείο. Αντ' αυτού, ζητήστε βοήθεια από εξουσιοδοτημένα κέντρα εξυπηρέτησης της Makita και πάντοτε να χρησιμοποιείτε γνήσια ανταλλακτικά της Makita.

Κατάσταση προβλήματος	Πιθανή αιτία (δυσλειτουργία)	Αποκατάσταση
Το μοτέρ δεν λειτουργεί.	Δεν είναι τοποθετημένη η κασέτα μπαταριών.	Τοποθετήστε την κασέτα μπαταριών.
	Πρόβλημα μπαταριών (μικρή τάση)	Επαναφορτίστε την μπαταρία. Αν η επαναφόρτιση δεν είναι αποτελεσματική, αντικαταστήστε την μπαταρία.
	Το σύστημα μετάδοσης κίνησης δεν λειτουργεί σωστά.	Απευθυνθείτε στο τοπικό εξουσιοδοτημένο κέντρο σέρβις για επισκευή.
Το μοτέρ σταματά να λειτουργεί μετά από μικρή χρήση.	Το επίπεδο φόρτισης μπαταρίας είναι χαμηλό.	Επαναφορτίστε την μπαταρία. Αν η επαναφόρτιση δεν είναι αποτελεσματική, αντικαταστήστε την μπαταρία.
	Υπερθέρμανση.	Σταματήστε να χρησιμοποιείτε το εργαλείο για να το αφήσετε να κρυώσει.
Το εργαλείο δεν φτάνει τις μέγιστες ΣΑΛ.	Η μπαταρία δεν είναι σωστά τοποθετημένη.	Τοποθετήστε την κασέτα μπαταριών όπως περιγράφεται σε αυτό το εγχειρίδιο.
	Η ισχύς της μπαταρίας πέφτει.	Επαναφορτίστε την μπαταρία. Αν η επαναφόρτιση δεν είναι αποτελεσματική, αντικαταστήστε την μπαταρία.
	Το σύστημα μετάδοσης κίνησης δεν λειτουργεί σωστά.	Απευθυνθείτε στο τοπικό εξουσιοδοτημένο κέντρο σέρβις για επισκευή.
Οι λάμες κουρευτικού δεν κινούνται: ⇒ Σταματήστε αμέσως το μηχάνημα!	Λανθασμένη γωνία των λαμών κουρευτικού.	Βεβαιωθείτε ότι η κεφαλή είναι καλά στερεωμένη στη λειτουργική γωνία.
	Ξένα αντικείμενα έχουν πιαστεί μεταξύ των λαμών κουρευτικού.	Απενεργοποιήστε το εργαλείο και αφαιρέστε την κασέτα μπαταριών, μετά αφαιρέστε τα ξένα αντικείμενα χρησιμοποιώντας εργαλεία όπως μια πένσα.
	Το σύστημα μετάδοσης κίνησης δεν λειτουργεί σωστά.	Απευθυνθείτε στο τοπικό εξουσιοδοτημένο κέντρο σέρβις για επισκευή.
Ασυνήθιστοι κραδασμοί: ⇒ Σταματήστε αμέσως το μηχάνημα!	Οι λάμες κουρευτικού είναι σπασμένες, λυγισμένες ή φθαρμένες.	Αντικαταστήστε τις λάμες κουρευτικού.
	Το σύστημα μετάδοσης κίνησης δεν λειτουργεί σωστά.	Απευθυνθείτε στο τοπικό εξουσιοδοτημένο κέντρο σέρβις για επισκευή.
Οι λάμες κουρευτικού και το μοτέρ δεν σταματούν: ⇒ Βγάλτε αμέσως την μπαταρία!	Ηλεκτρική δυσλειτουργία.	Βγάλτε την μπαταρία και απευθυνθείτε στο τοπικό εξουσιοδοτημένο κέντρο σέρβις για επισκευή.

## ΠΡΟΑΙΡΕΤΙΚΑ ΕΞΑΡΤΗΜΑΤΑ

**⚠ ΠΡΟΣΟΧΗ:** Αυτά τα εξαρτήματα ή προσαρτήματα συνιστώνται για χρήση με το εργαλείο Makita που περιγράφτηκε στις οδηγίες αυτές. Η χρήση οποιουδήποτε άλλων εξαρτημάτων ή προσαρτημάτων μπορεί να προκαλέσει κίνδυνο τραυματισμού σε άτομα. Να χρησιμοποιείτε τα εξαρτήματα ή προσαρτήματα μόνο για την χρήση που προορίζονται.

Εάν χρειάζεστε οποιαδήποτε βοήθεια για περισσότερες πληροφορίες σε σχέση με αυτά τα εξαρτήματα, αποτανθείτε στο τοπικό σας κέντρο εξυπηρέτησης Makita.

- Διάταξη λαμών κουρευτικού
- Συλλογές θραυσμάτων

- Περιέκτης γράσου
- Γνήσια μπαταρία και φορτιστής της Makita

**ΠΑΡΑΤΗΡΗΣΗ:** Μερικά στοιχεία στη λίστα μπορεί να συμπεριλαμβάνονται στη συσκευασία εργαλείου ως στάνταρ εξαρτήματα. Μπορεί να διαφέρουν ανάλογα με τη χώρα.

## TEKNİK ÖZELLİKLER

Model:	UN460WD
Bıçak uzunluğu	460 mm
Dakikadaki hareket sayısı	3.600 min <sup>-1</sup>
Kesici bıçak açısı	135° (yukarı 60°, aşağı 75°)
Tam uzunluk	1.889 - 2.511 mm
Nominal voltaj	D.C. 10,8 V - 12 V maks
Net ağırlık	2,8 - 3,0 kg

- Sürekli yapılan araştırma ve geliştirmelerden dolayı, burada belirtilen özellikler önceden bildirilmeksizin değiştirilebilir.
- Özellikler ülkeden ülkeye değişebilir.
- Ağırlık, ekli aksesuara/aksesuarlara ve batarya kartuşuna bağlı olarak farklılık gösterebilir. EPTA-Prosedürü 01/2014'e göre en hafif ve en ağır kombinasyonlar tabloda verilmiştir.

## Geçerli batarya kartuşu ve şarj aleti

Batarya kartuşu	BL1016 / BL1021B / BL1041B
Şarj aleti	DC10SA / DC10SB / DC10WC / DC10WD / DC18RE

- Yukarıda listelenen batarya kartuşlarının ve şarj aletlerinin bazıları yaşadığınız bölgeye bağlı olarak mevcut olmayabilir.

**UYARI:** Sadece yukarıda listelenen batarya kartuşlarını ve şarj aletlerini kullanın. Başka batarya kartuşlarının ve şarj aletlerinin kullanılması yaralanma ve/veya yangına neden olabilir.

## Semboller

Ekipmanı için kullanılabilecek semboller aşağıda gösterilmiştir. Kullanmadan önce anlamlarını anladığınızdan emin olun.



El kitabını okuyun.



Neme maruz bırakmayın.



Kask, koruyucu gözlük ve kulak koruyucu takın.



TEHLİKE - Eleri bıçaktan uzak tutun.



Elektrik hatlarına karşı dikkatli olun, elektrik çarpması riski.



En az 15 m uzakta durun.



Sadece AB ülkeleri için  
Ekipmanda tehlikeli bileşenler bulunduğundan dolayı atık elektrikli ve elektronik ekipmanlar, aküler ve bataryalar çevre ve insan sağlığı üzerinde olumsuz etkiye yol açabilir.

Elektrikli ve elektronik cihazları veya bataryaları evsel atıklarla birlikte atmayın!  
Atık elektrikli ve elektronik ekipmanlar ile akümülatörler ve bataryalar hakkındaki Avrupa Direktifi ve söz konusu direktifin ulusal yasalara uyarlanması gereğince atık elektrikli ekipmanlar, bataryalar ve akümülatörler ayrı olarak depolanmalı ve çevre koruma hakkındaki mevzuata uygun olarak faaliyet gösteren ayrı bir kentsel atık toplama noktasına teslim edilmelidir.  
Bu husus, ekipmanın üzerine yerleştirilmiş üzerinde çarpı işareti bulunan tekerlekli çöp kovası simgesi ile belirtilmiştir.



AB Dış Mekan Gürültü Direktifi uyarınca garanti edilen ses gücü seviyesi.



Avustralya NSW Gürültü Kontrol Mevzuatı uyarınca ses gücü seviyesi

## Kullanım amacı

Bu alet çit budamak için tasarlanmıştır.

## Gürültü

Tipik A-ağırlıklı gürültü düzeyi (EN62841-4-2 standardına göre belirlenen):

Ses basınç seviyesi ( $L_{pA}$ ): 74 dB (A)

Belirsizlik (K): 3 dB (A)

İşlem sırasında gürültü seviyesi 80 dB (A)'yi geçebilir.

**NOT:** Beyan edilen gürültü emisyonu değer(ler)i bir standart test yöntemine uygun şekilde ölçülmüştür ve bir aleti bir başkasıyla karşılaştırmak için kullanılabilir.

**NOT:** Beyan edilen gürültü emisyonu değer(ler)i bir ön maruz kalma değerlendirmesi olarak da kullanılabilir.

**UYARI:** Kulak koruyucuları takın.

**UYARI:** Elektrikli aletin gerçek kullanımı sırasındaki gürültü emisyonu, aletin kullanım biçimlerine, özellikle işlenen iş parçasının türüne bağlı olarak beyan edilen değer(ler)den farklı olabilir.

**UYARI:** Gerçek kullanım koşullarındaki tahmini maruziyeti baz alan, operatörü koruyacak güvenlik önlemlerini mutlaka belirleyin (çalışma döngüsü içerisinde aletin kapalı olduğu ve aktif durumda olmasının yanı sıra boşta çalıştığı zamanlar gibi, bütün zaman dilimleri göz önünde bulundurarak).

## Titreşim

Geçerli standart : EN62841-4-2

Sol el (Ön sap)		Sağ el (Arka sap)	
$a_h$ ( $m/s^2$ )	Belirsizlik K ( $m/s^2$ )	$a_h$ ( $m/s^2$ )	Belirsizlik K ( $m/s^2$ )
2,5 $m/s^2$ den az	1,5	2,5 $m/s^2$ den az	1,5

**NOT:** Beyan edilen titreşim toplam değer(ler)i bir standart test yöntemine uygun şekilde ölçülmüştür ve bir aleti bir başkasıyla karşılaştırmak için kullanılabilir.

**NOT:** Beyan edilen titreşim toplam değer(ler)i bir ön maruz kalma değerlendirmesi olarak da kullanılabilir.

**UYARI:** Elektrikli aletin gerçek kullanımı sırasındaki titreşim emisyonu, aletin kullanım biçimlerine, özellikle işlenen iş parçasının türüne bağlı olarak beyan edilen değer(ler)den farklı olabilir.

**UYARI:** Gerçek kullanım koşullarındaki tahmini maruziyeti baz alan, operatörü koruyacak güvenlik önlemlerini mutlaka belirleyin (çalışma döngüsü içerisinde aletin kapalı olduğu ve aktif durumda olmasının yanı sıra boşta çalıştığı zamanlar gibi, bütün zaman dilimleri göz önünde bulundurarak).

## EC Uygunluk Beyanı

*Sadece Avrupa ülkeleri için*

EC uygunluk beyanı bu kullanım kılavuzuna Ek A olarak eklenmiştir.

## GÜVENLİK UYARILARI

### Genel elektrikli alet güvenliği uyarıları

**UYARI:** Bu elektrikli aletle birlikte sunulan tüm güvenlik uyarılarını, talimatları, çizimleri ve teknik özellikleri okuyun. Aşağıda verilen talimatlara uyulmaması elektrik şoku, yangın ve/veya ciddi yaralanmalar ile sonuçlanabilir.

### Tüm uyarıları ve talimatları iletide başvurmak için saklayın.

Uyarılardaki "elektrikli alet" terimi ile ya prizden çalışan (kordonlu) elektrikli aletiniz ya da kendi aküsü ile çalışan (kordsuz) elektrikli aletiniz kastedilmektedir.

## Akülü Yüksek Çit Budama Güvenlik Uyarıları

- Vücudunuzun tüm kısımlarını bıçaktan uzak tutun. Bıçaklar hareket halindeyken kesilen malzemeyi çıkarmaya ve kesilecek malzemeyi tutmaya çalışmayın.** Anahtar kapatıldıktan sonra bıçaklar harekete devam eder. Çit budamayı kullanırken bir anlık dikkatsizlik ciddi bir yaralanmayla sonuçlanabilir.
- Çit budamayı, bıçak durmuş durumda iken kolundan tutarak ve hiçbir güç anahtarını çalıştırmamaya dikkat ederek taşıyın.** Çit budamayı doğru bir şekilde taşımak yanlışlıkla başlatılma ve bunun sonucunda kesici bıçaklar sonucu yaralanma riskini azaltır.
- Çit budamayı naklederken veya saklarken bıçak kılıfını mutlaka takın.** Çit budamayı doğru bir şekilde taşımak kesici bıçaklarla yaralanma riskini azaltır.
- Sıkışan malzemeyi çıkarırken veya üniteye bakım yaparken tüm güç anahtarlarının kapalı ve batarya takımının çıkarılmış veya ayrılmış olduğundan emin olun.** Sıkışan malzemeyi çıkarırken veya bakım yaparken çit budamanın beklenmedik şekilde çalışması ciddi yaralanmalara neden olabilir.
- Bıçak gizli kablolarla temas edebileceği için, çit budamayı sadece yalıtımlı kavrama yüzeylerinden tutun.** Bıçakların "akımlı" bir telle temas etmesi çit budamanın yalıtımsız metal kısımlarını "akımlı" hale getirebilir ve kullanıcıyı elektrik şokuna maruz bırakabilir.



6. **Tüm güç kordonlarını ve kablolarını kesim alanından uzak tutun.** Güç kordonları veya kabloları çitlere veya çalılara saklanabilir ve bıçak tarafından yanlışlıkla kesilebilir.
7. **Özellikle yıldırım düşmesi riski olan kötü hava koşullarında çit budamayı kullanmayın.** Bu, yıldırım çarpma riskini azaltır.
8. **Elektrik çarpması riskini azaltmak için yüksek çit budamayı her türlü elektrik hattının yanında asla kullanmayın.** Elektrik hatlarıyla temas veya bunların yanında kullanmak ciddi yaralanma veya ölümlü sonuçlanacak elektrik çarpmasına neden olabilir.
9. **Yüksek çit budamayı kullanırken daima iki elinizi kullanın.** Kontrol kaybını önlemek için yüksek çit budamayı iki elle tutun.
10. **Yüksek çit budamayı başınızdan daha yukarıda kullanırken daima baret kullanın.** Düşen döküntüler ciddi yaralanmaya neden olabilir.

## İlave Güvenlik Talimatları

### Hazırlık

1. **BU ÇİT BUDAMA CİDDİ YARALANMALARAYA YOL AÇABİLİR.** Aletin doğru taşınması, hazırlanması, bakımı, çalıştırılması ve durdurulması için talimatları dikkatlice okuyun. Aletin tüm kontrollerine ve düzgün kullanımına aşinalık kazanın.
2. **Aleti çalıştırmadan önce çitleri ve çalılıkları, tel örgü veya gizli kablo gibi yabancı maddelere karşı kontrol edin.**
3. **Çit budama, çocuklar ve 18 yaşın altındaki gençler tarafından kullanılmamalıdır.** 16 yaşın üzerindeki gençler, bir uzmanın gözetiminde eğitim alıyorsa bu kısıtlamadan muaf tutulabilirler.
4. **Acil bir durumda, derhal aleti kapatın ve batarya kartuşunu çıkarın.**
5. **TEHLİKE - Ellerinizi bıçaktan uzak tutun.** Bıçağa temas edilmesi ciddi yaralanmaya neden olur.
6. **Aleti ilk kez kullanacak olanlar, deneyimli bir kullanıcıdan aletin nasıl kullanılacağını göstermesi için yardım almalıdır.**
7. **Çalıştırmadan önce, çalışma alanında tel örgü, taş ya da başka katı nesnelere olup olmadığına bakın.** Bunlar bıçaklara zarar verebilir.
8. **Çit budamayı yalnızca fiziksel durumunuz uygunsuz kullanın.** Yorgunsanız dikkatiniz azalır. Özellikle çalışma gününün son saatlerinde dikkatli olun. Tüm işlerinizi sakın ve dikkatli bir şekilde yürütün. Üçüncü taraflar üzerinde meydana gelebilecek tüm zararlardan kullanıcı sorumludur.
9. **İşe başlamadan önce, budama aletinin iyi ve güvenli bir şekilde çalışır durumda olduğundan emin olun.** Siperlerin yerine düzgün bir şekilde takıldığından emin olun. Çit budama, tam olarak monte edilmediği durumlarda kullanılmamalıdır.
10. **Tehlikeli ortamlardan kaçının.** Aleti nemli ya da ıslak yerlerde kullanmayın ve yağmura maruz bırakmayın. Makinenin içine su girmesi elektrik çarpması riskini arttıracaktır.

### Kişisel koruyucu ekipmanlar

1. **Dayanıklı deriden yapılmış iş eldivenleri çit budama aletinin temel ekipmanının parçasıdır ve bu aletle çalışırken daima giymelidir.** Daima kaymaz tabanlı sağlam ayakkabılar giyin.
2. **İşitme kaybını engellemek için kulak tıkaçı gibi kulak koruyucu takın.**
3. **Uçuşan çer çöp veya düşen nesnelere kendinizi korumak için koruyucu gözlük, güvenlik kaskı ve koruyucu eldiven takın.**
4. **Bıçaklara dokunurken veya bıçak açısını ayarlarken koruyucu eldiven giyin.** Bıçaklar çıplak elleri ağır biçimde kesebilir.

### Kullanma

1. **Aleti kullanırken daima iki elinizi kullanın.** Tek el kullanılması kontrolün kaybedilmesine neden olabilir ve ciddi yaralanmalara yol açabilir.
2. **Aleti kullanırken kullanım konumunun güvenli ve emniyetli olduğundan mutlaka emin olun.** Aletle fazla ileriye uzanmak, özellikle bir merdivenden, aşırı derecede tehlikelidir. Sallanan veya zayıf hiçbir yerden çalışmayın.
3. **Aleti kullanırken birden fazla kemer takımını ve/veya omuz askısını aynı anda takmayın.**
4. **Kullanım sırasında, etrafınızdaki kişileri ya da hayvanları aletten en az 15 m uzakta tutun.** Biri yaklaştığı anda aleti durdurun.
5. **Kesici parça herhangi bir nesneye çarpar veya alet anormal gürültü veya titreşim yapmaya başlarsa derhal aleti kapatın ve batarya kartuşunu çıkarın, aletin durmasını bekleyin.** Daha sonra aşağıdaki adımları atın:
  - hasar kontrolü yapın
  - parçaların gevşek olup olmadığını kontrol edin, gevşek olanları sıkın
  - hasarlı tüm parçaları orijinal parçalarla değiştirin veya tamir ettirin.
6. **Aleti sadece kullanım amacı doğrultusunda kullanın.** Aleti başka amaçlarla kullanmayın.
7. **Şu işlemlerden önce aletini kapatın ve batarya kartuşunu çıkarın:**
  - temizleme veya bir tıkanıklığı giderme,
  - aleti kontrol etme, bakım yapma veya üzerinde çalışma,
  - keski bıçaklarının çalışma konumunu ayarlama,
  - aleti gözetimsiz bırakma.
8. **Aleti çalıştırmadan önce aletin belirlenen çalışma konumuna doğru bir şekilde alındığından emin olun.**
9. **Aleti, hasarlı veya aşırı aşınmış keski bıçaklarıyla çalıştırmayın.**
10. **Her zaman etrafınıza dikkat edin ve aletin gürültüsü nedeniyle farkında olamayabileceğiniz olası tehlikelere karşı uyanık olun.**
11. **Çalışma sırasında metal bir çite ya da başka sert nesnelere temas etmemeye dikkat edin.** Bıçak kırılır ve ciddi yaralanmaya neden olabilir.
12. **İstem dışı başlatmayı önleyin.** Batarya kartuşu takılı ve parmağınız düğmenin üzerindeyken aleti taşımayın. Batarya kartuşunu takarken anahtarın kapalı olduğundan emin olun.

13. Aleti kaldırırken veya tutarken açıkta kalan keskin bıçakları ya da keskin kenarları tutmayın.
14. Aleti zorlamayın. Tasarlandığı hızda kullanıldığında, alet işi daha iyi yapar ve yaralanma riski azalır.
15. Aleti yağmurda veya ıslak ya da çok nemli koşullarda kullanmayın. Elektrikli motor su geçirmez değildir.
16. Aleti kullanırken sıkıca tutun.
17. Aleti gereksiz yere yüksüz çalıştırmayın.
18. Keski bıçaklarını kontrol etmeden, arızalarla ilgilenmeden ya da keski bıçaklarına takılan yabancı maddeleri çıkarmadan önce daima aleti kapatın ve batarya kartuşunu çıkarın.
19. Keski bıçaklarının asla kendinize veya başkalarına doğrultmayın.
20. Çalışma sırasında bıçakların arasına yabancı maddelerin sıkışmasından dolayı bıçaklar hareket etmeyi keserse aleti kapatın ve batarya kartuşunu çıkarın, ardından yabancı maddeleri pense, vb. kullanarak çıkarın. Yabancı maddelerin elle çıkarılması, yabancı maddeleri çıkarmaya tepki olarak bıçaklar hareket edebileceğinden dolayı yaralanmaya neden olabilir.

#### Elektrik ve batarya güvenliği

1. Tehlikeli ortamlardan kaçının. Aleti nemli ya da ıslak yerlerde kullanmayın ve yağmura maruz bırakmayın. Aletin içine su girmesi elektrik çarpması riskini arttıracaktır.
2. Bataryayı/bataryaları ateşe atmayın. Batarya hücresi patlayabilir. Bertaraf etmeye ilişkin özel talimatlar için yerel yönetmelikleri kontrol edin.
3. Batarya/bataryaları açmayın ya da batarya(lar) üzerinde değişiklik yapmayın. Ortaya çıkan elektrolit aşındırıcıdır ve gözlere ya da cilde zarar verebilir. Yutulduğu takdirde zehirli olabilir.
4. Bataryayı yağmurda veya ıslak yerlerde şarj etmeyin.
5. Bataryayı açık alanda şarj etmeyin.
6. Şarj aleti fişi ve şarj aleti terminaleri dahil şarj aletine ıslak ellerle dokunmayın.

#### Bakım ve saklama

1. Alet; bakım, kontrol veya saklama için durdurulduğunda, aleti kapatın ve batarya kartuşunu çıkarın, tüm hareketli parçaların tam olarak durduğundan emin olun. Herhangi bir kontrol, ayarlama, vb. yapmadan önce aletin soğumasını bekleyin.
2. Aleti saklamadan önce her zaman soğumasını bekleyin.
3. Kullanılmadığı zaman bıçak kılıfını alete takın ve aleti kapalı mekanlarda, çocukların ulaşamayacağı, kuru ve yüksek kilitli bir yerde saklayın.
4. Aletin bakımını dikkatli yapın. En iyi performans ve yaralanma riskini azaltmak için keski kenarı keskin ve temiz tutun. Yağlama ve aksesuar değişimi için talimatları izleyin. Sapları kuru, temiz ve yağ ve gres bulaşmamış halde bulundurun.

5. Hasarlı parçaları kontrol edin. Aleti kullanmaya devam etmeden önce, hasar görmüş tüm parçalar, uygun şekilde çalışıp çalışmayacağını ve amaçlanan işlevini görüp göremeyeceğini belirlemek için, dikkatlice kontrol edilmelidir. Hareketli parçaların hizalanmalarını, bağlantılarını, parçalardaki kırıkları, montajlarını ve çalışmasını etkileyebilecek diğer durumları kontrol edin. Hasar görmüş siper ya da başka bir parça, yetkili servis tarafından onarılmalı ya da değiştirilmelidir.
6. Sadece orijinal yedek parçalar kullanın.
7. Aleti başka bir yere taşımadan önce, çalışma sırasında dahil olmak üzere, daima batarya kartuşunu çıkarın ve keski bıçaklarına bıçak kılıfını takın. Bıçaklar çalışırken aleti asla taşımayın ya da nakletmeyin. Bıçakları asla elinizle kavramayın.
8. Nakaldikten sonra ve aleti uzun süreli depoya kaldırmadan önce aleti ve özellikle keski bıçaklarını temizleyin. Keski bıçaklarını hafifçe yağlayın ve bıçak kılıfını takın.
9. Bataryayı/bataryaları ateşe atmayın. Batarya hücresi patlayabilir. Bertaraf etmeye ilişkin özel talimatlar için yerel yönetmelikleri kontrol edin.
10. Batarya/bataryaları açmayın ya da batarya(lar) üzerinde değişiklik yapmayın. Ortaya çıkan elektrolit aşındırıcıdır ve gözlere ya da cilde zarar verebilir. Yutulduğu takdirde zehirli olabilir.
11. Bataryayı yağmurda veya ıslak yerlerde şarj etmeyin.

## BU TALİMATLARI SAKLAYIN.

**⚠UYARI:** Ürünü kullanırken (defalarca kullanınca kazanılan) rahatlık ve tanıdıklık duygusunun ilgili ürünün güvenlik kurallarına sıkı sıkıya bağlı kalmanın yerine geçmesine İZİN VERMEYİN. YANLIŞ KULLANIM veya bu kullanma kılavuzunda belirtilen emniyet kurallarına uymama ciddi yaralanmaya neden olabilir.

## Batarya kartuşu hakkında önemli güvenlik talimatları

1. Batarya kartuşunu kullanmadan önce, tüm talimatları ve (1) batarya kartuşu, (2) batarya ve (3) ürün üzerindeki tüm uyarı işaretlerini okuyun.
2. Batarya kartuşunu parçalarına ayırmayın veya kurcalamayın. Yangın, aşırı ısı veya patlamaya neden olabilir.
3. Çalışma süresi aşırı derecede kısalmışsa kullanmayı derhal bırakın. Aşırı ısınma, yanma riski hatta patlamaya neden olabilir.
4. Gözünüze elektrolit kaçarsa, gözlerinizi temiz suyla durulayın ve hemen tıbbi yardım alın. Görmeye kaybına yol açabilir.
5. Batarya kartuşuna kısa devre yaptırmayın:
  - (1) Terminallere herhangi bir iletken madde deşirmeyin.
  - (2) Batarya kartuşunu çiviler, madeni paralar, vb. gibi başka metal nesnelere aynı kaba koymaktan kaçının.
  - (3) Batarya kartuşunu yağmura ya da suya maruz bırakmayın.

- Kısa devre, büyük bir akım akışına, aşırı ısınmaya, olası yanıklara hatta bataryanın bozulmasına yol açabilir.
- Aleti ve batarya kartuşunu sıcaklığın 50°C ya da daha yükseğe ulaştığı yerlerde saklamayın ve kullanmayın.
  - Aşırı derecede hasar görmüş ya da tamamen kullanılamaz durumda olsa bile batarya kartuşunu yakmayın. Batarya kartuşu ateşe atılırsa patlayabilir.
  - Batarya kartuşunu çivilemeyin, kesmeyin, ezmeyin, fırlatmayın, düşürmeyin ya da batarya kartuşuna sert bir nesne ile vurmayın. Bu eylemler yangın, aşırı ısı veya patlamaya neden olabilir.
  - Hasarlı bataryayı kullanmayın.
  - Aletin içerdiği lityum-iyon bataryalar Tehlikeli Eşyalar Yönetmeliğinin gereksinimlerine tabidir.

Ticari nakliye işlemleri için, örneğin üçüncü taraflar, nakliye acenteleri tarafından yapılan nakliyelerde, paketlenme ve etiketleme gereksinimlerine uyulmalıdır.

Nakliyesi yapılacak ürünün hazırlanması için, tehlikeli maddeler konusunda uzman bir kişiye danışın. Lütfen muhtemelen daha ayrıntılı olan ulusal yönetmeliklere de uyun.

Açık kontakları bantlayın ya da maskeleyin ve bataryayı paketin içinde hareket etmeyecek şekilde paketlenin.

- Batarya kartuşunu bertaraf ederken aletten çıkarın ve güvenli bir yerde bertaraf edin. Bataryanın bertaraf edilmesi ile ilgili yerel düzenlemelere uyunuz.
- Bataryaları sadece Makita tarafından belirtilen ürünlerle kullanın. Bataryaların uyumsuz ürünlere takılması; yangın, aşırı ısınma, patlama ya da elektrolit sızıntısına neden olabilir.
- Alet uzun süre kullanılmayacaksa batarya aletten çıkarılmalıdır.
- Kullanma sırasında ve sonrasında batarya kartuşu ısınarak yanıklara veya düşük sıcaklık yanıklarına yol açabilir. Sıcak batarya kartuşları ile işlem yaparken dikkat edin.

- Yanıklara neden olabilecek kadar sıcak olabileceğinden kullandıktan hemen sonra aletin terminaline dokunmayın.
- Batarya kartuşunun terminallerine, deliklerine ve kanallarına micir, toz veya toprak girmesine izin vermeyin. Aletin veya batarya kartuşunun zayıf performans göstermesine veya bozulmasına neden olabilir.
- Alet yüksek gerilim elektrik güç hatları yakınında kullanımı desteklemediği sürece batarya kartuşunu yüksek gerilim elektrik güç hatlarının yakınında kullanmayın. Aletin veya batarya kartuşunun arızalanmasına veya bozulmasına neden olabilir.
- Bataryayı çocuklardan uzak tutun.

## BU TALİMATLARI MUHAFAZA EDİNİZ.

**⚠DİKKAT:** Sadece orijinal Makita bataryalarını kullanın. Orijinal olmayan Makita bataryaları ya da üzerine değişiklik yapılmış bataryaların kullanımı bataryanın patlamasına ve sonuç olarak yangın, kişisel yaralanma ve hasara neden olabilir. Ayrıca Makita aleti ve şarj aletinin Makita tarafından sunulan garantisi de geçersiz olur.

## Maksimum batarya ömrü için ipuçları

- Batarya kartuşunu tamamen boşalmadan önce şarj edin. Aletin gücünün zayıflamaya başladığını fark ettiğinizde aleti durdurun ve batarya kartuşunu şarj edin.
- Tam dolu bir batarya kartuşunu asla yeniden şarj etmeyin. Aşırı şarj etme bataryanın hizmet ömrünü kısaltır.
- Batarya kartuşunu 10 °C - 40 °C oda sıcaklığında şarj edin. Sıcak bir batarya kartuşunu şarj etmeden önce soğumasını bekleyin.
- Batarya kartuşunu kullanıyorken aletten veya şarj aletinden çıkarın.

## PARÇALARIN TANIMI

### ► Şek.1

1	Başlık	2	Açık ayarlama düğmesi	3	Kilitleme mandalı	4	Tırtıllı somun
5	Ön sap	6	Arka sap	7	Batarya kartuşu	8	Anahtar tetik
9	Güvenlik kilidi düğmesi	10	Keski bıçakları	-	-	-	-

## İŞLEVSEL NİTELİKLER

**⚠️ DİKKAT:** Alet üzerinde ayarlama veya işleyiş kontrolü yapmadan önce aletin kapalı ve batarya kartuşunun ayrılmış olduğundan daima emin olun.

### Batarya kartuşunun takılması ve çıkarılması

**⚠️ DİKKAT:** Batarya kartuşunu takmadan ya da çıkarmadan önce aleti daima kapatın.

**⚠️ DİKKAT:** Batarya kartuşunu takarken veya çıkarırken aleti ve batarya kartuşunu sıkıca tutun. Aletin ve batarya kartuşunun sıkıca tutulmaması bunların düşürülmesine sebep olabilir ve alet ve batarya kartuşunun zarar görmesine ya da ciddi yaralanmasına yol açabilir.

► **Şek.2:** 1. Kırmızı gösterge 2. Düğme 3. Batarya kartuşu

Batarya kartuşunu çıkarmak için, kartuşun ön tarafındaki düğmeyi kaydırarak kartuşu aletten çıkarın.

Batarya kartuşunu takmak için, batarya kartuşu üzerindeki dili yuvanın oluğu ile hizalayın ve kartuşu yerine oturtun. Kartuşu, küçük bir tık sesi ile yerine sabitlenene dek sonuna kadar ittirin. Şekilde gösterildiği gibi kırmızı göstergeyi görebiliyorsanız tam olarak kilitlenmemiş demektir.

**⚠️ DİKKAT:** Batarya kartuşunu daima kırmızı gösterge görünmeyecek şekilde tam olarak takın. Yerine tam oturmazsa, aletten yanlışlıkla düşebilir, sizin ya da çevrenizdeki kişilerin yaralanmasına neden olabilir.

**⚠️ DİKKAT:** Batarya kartuşunu zorlayarak takmayın. Kartuş kolay bir şekilde kaymıyorsa doğru yerleştirilmemiş demektir.

### Kalan batarya kapasitesinin gösterilmesi

**Sadece göstergeli batarya kartuşları için**

► **Şek.3:** 1. Gösterge lambaları 2. Kontrol düğmesi

Kalan batarya kapasitesini göstermesi için batarya kartuşu üzerindeki kontrol düğmesine basın. Gösterge lambaları birkaç saniye yanar.

Gösterge lambaları		Kalan kapasite
Yanıyor	Kapalı	
■ ■ ■ ■ ■	□	%75 ila %100
■ ■ ■ □	□	%50 ila %75
■ ■ □ □	□ □	%25 ila %50
■ □ □ □	□ □ □ □	%0 ila %25

**NOT:** Kullanım koşullarına ve ortam sıcaklığına bağlı olarak, gösterilen değer gerçek kapasiteden biraz farklılık gösterebilir.

## Alet/batarya koruma sistemi

Makine bir batarya koruma sistemi ile donatılmıştır. Bu sistem motora giden gücü otomatik olarak keserek uzun batarya ömrü sağlar.

Makine ve/veya batarya için aşağıdaki durumlardan biri söz konusu olduğunda makinenin işleyişi otomatik olarak durur:

**Aşırı yüklenme:**

Alet, anormal derecede yüksek akım çekmesine neden olacak şekilde çalıştırılır. Bu durumda, aleti kapatın ve aletin aşırı yüklenmesine neden olan uygulamayı durdurun. Daha sonra aleti yeniden çalıştırmak için açın. Alet başlamazsa batarya aşırı ısınmıştır. Bu durumda, aleti yeniden çalıştırmadan önce bataryanın soğumasını bekleyin.

**Düşük batarya voltajı:**

Kalan batarya kapasitesi çok düşüktür ve alet çalışmaz. Aleti açarsanız, motor tekrar çalışır fakat kısa zaman sonra durur. Bu durumda bataryayı çıkararak şarj edin.

## Anahtar işlemleri

**⚠️ UYARI:** Batarya kartuşunu alete takmadan önce anahtar tetiği doğru çalıştığından ve bırakıldığında "OFF" (kapalı) konumuna döndüğünden emin olun.

**⚠️ UYARI:** Güvenliğiniz için, bu alet istem dışı başlatmayı önlemek için bir güvenlik kilidi düğmesi ile donatılmıştır. Güvenlik kilidi düğmesine basmadan sadece anahtar tetik çekildiğinde çalışan bir aleti asla kullanmayın. Tamir için Makita Servis Merkezimize başvurun.

**⚠️ UYARI:** Kilit işlemini asla devre dışı bırakmayın veya güvenlik kilidi düğmesini bantlamayın.

**ÖNEMLİ NOT:** Güvenlik kilidi düğmesine basmadan anahtar tetiği zorla çekmeye çalışmayın. Anahtar kırılabilir.

► **Şek.4:** 1. Güvenlik kilidi düğmesi 2. Anahtar tetik

Anahtar tetiğin kaza sonucu çekilmesini önlemek için, bir güvenlik kilidi düğmesi sunulmuştur.

Aleti başlatmak için, güvenlik kilidi düğmesine bastırın ve anahtar tetiği çekin. Durdurmak için anahtar tetiği serbest bırakın. Güvenlik kilidi düğmesine sağ ya da sol taraftan basılabilir.

## Kesim açısının ayarlanması

**⚠️ DİKKAT:** Başlığı katlamadan veya açmadan önce aletin kapalı olduğundan daima emin olun.

**⚠️ DİKKAT:** Aleti taşımak için veya aleti kullandıktan sonra başlığı katlarken başlığı katlamadan önce bıçak kılıfını mutlaka takın.

**⚠️ DİKKAT:** Başlığı katlarken parmaklarınızı başlık ile aletin gövdesinin arasına sıkıştırmamaya dikkat edin.

Başlık açısı 10 kademede ayarlanabilir. Başlık açısını değiştirmek için aşağıdaki adımları izleyin.

1. Başlığı ve aletin gövdesini şekilde gösterildiği gibi tutun.  
► **Şek.5:** 1. Başlık 2. Açı ayarlama düğmesi

2. Açı ayarlama düğmesini basılı tutarak başlığın açısını ayarlayın ve ardından açay ayarlama düğmesini bırakın.

3. Bir tık sesi ile kilitlene kadar başlığı hafifçe oynatın.

**NOT:** Aleti kullanmadan önce başlığın sıkıca kilitletiğinden emin olun.

## Boru uzunluğunun ayarlanması

**⚠DİKKAT:** Boru uzunluğunu ayarlamadan önce aletin kapalı olduğundan daima emin olun.

**⚠DİKKAT:** Boru uzunluğunu ayarlarken boru uzunluğunu ayarlamadan önce bıçak kılıfını taktığınızdan emin olun.

**⚠DİKKAT:** Boru uzunluğunu ayarlarken parmaklarınızı sıkıştırmamaya dikkat edin.

**⚠DİKKAT:** Kilitleme mandalının güvenli bir şekilde kilitletiğinden emin olun.

Kilitleme mandalını gevşetin, ardından borunun uzunluğunu ayarlayın ve daha sonra kilitleme mandalını kilitleyin.

► **Şek.6:** 1. Kilitleme mandalı

## Ön sapın konumunun ayarlanması

**⚠DİKKAT:** Ön sapın konumunu ayarlamadan önce aletin kapalı olduğundan daima emin olun.

**⚠DİKKAT:** Ön sapın konumunu ayarlarken parmaklarınızı sıkıştırmamaya dikkat edin.

**⚠DİKKAT:** Tırtıllı somunun iyice sıkıldığından emin olun.

**⚠DİKKAT:** Ön sapı ok işaretinin ötesine geçirmeyin.

Ön sapın konumunu ayarlamak için tırtıllı somunu saat akisi yönünde çevirerek gevşetin, ardından ön sapın konumunu ayarlayın ve daha sonra tırtıllı somunu saat yönünde çevirerek sıkın.

► **Şek.7:** 1. Tırtıllı somun 2. Ok işareti

## MONTAJ

**⚠DİKKAT:** Alet üzerinde herhangi bir iş yapmadan önce aletin kapalı ve batarya kartuşunun ayrılmış olduğundan daima emin olun.

**⚠DİKKAT:** Keski bıçaklarını değiştirirken ellerinizin bıçaklarla doğrudan temas etmemesi için daima eldiven kullanın.

## Keski bıçaklarının takılması veya çıkarılması

**⚠DİKKAT:** Keski bıçaklarını takmadan veya çıkarmadan önce bıçak kılıfını takın.

**ÖNEMLİ NOT:** Keski bıçaklarını değiştirirken dişli ve krank bölümlerindeki gresi silmeyin.

**NOT:** Keski bıçaklarını takmadan veya çıkarmadan önce aletin başlığını, başlı aletin gövdesine düz olacak şekilde açın.

1. Aleti baş aşağı duracak şekilde yerleştirin.

2. 4 vidayı tornavidayla çıkarın ve keski bıçaklarını çıkarın.

► **Şek.8:** 1. Vida

3. Keski bıçaklarından krankı çıkarın.

► **Şek.9:** 1. Krank

**NOT:** Krank alette kalabilir.

4. Krankı ve yeni keski bıçaklarını hazırlayın.

► **Şek.10:** 1. Krank 2. Keski bıçakları

5. Bıçak kılıfını çıkarın ve ardından yeni keski bıçaklarına takın.

6. Krankın çevresine az bir miktar gres yağı sürün. Pulu, dişliyi ve krankı pime sırayla takın.

► **Şek.11:** 1. Krank 2. Dişli 3. Pul 4. Pim

7. Krankı, şekilde gösterildiği gibi krankın üzerindeki 2 küçük delik, hizalama çizgisiyle aynı hizada olacak biçimde ayarlayın.

► **Şek.12:** 1. Hizalama çizgisi 2. Küçük delik

8. Keski bıçaklarını kaydırarak kılavuz plakadaki deliğin, bıçakların halkalarının merkezine konumlanmasını sağlayın.

► **Şek.13:** 1. Kılavuz plaka

9. Adım 2'de çıkarılan vidayı, bıçak kılıfının üzerindeki delik vasıtasıyla keski bıçaklarının üzerindeki deliğe sokun.

► **Şek.14:** 1. Delik

10. Keski bıçaklarını alete takın ve ardından 3 vidayı tornavida ile sıkın.

► **Şek.15:** 1. Vida

11. Adım 9'da keski bıçaklarının üzerindeki deliğe sokulan vidayı çıkarın ve ardından vidayı sıkarak keski bıçaklarını sabitleyin.

**ÖNEMLİ NOT:** Keski bıçakları doğru çalışmıyorsa bıçaklar krankı doğru bir şekilde kavramıyordur. Bıçakları çıkarıp yeniden takın.

**ÖNEMLİ NOT:** Keski bıçakları dışında krank gibi parçalar yıpranırsa parça değişimi veya onarımlar için Makita yetkili servis merkezlerine başvurun.

## Talaş yakalayıcının takılması veya çıkarılması

### İsteğe bağlı aksesuarlar

**⚠ DİKKAT:** Talaş yakalayıcıyı takarken veya çıkarırken ellerinizin keski bıçaklarıyla doğrudan temas etmemesi için daima eldiven kullanın.

**⚠ DİKKAT:** Talaş yakalayıcıyı takmadan veya çıkarmadan önce bıçak kılıfını takın.

Talaş yakalayıcı atık yaprakları toplayarak işiniz bittikten sonra temizlik yapmayı kolaylaştırır. Aletin her iki yanına da takılabilir.

1. Talaş yakalayıcı üzerindeki delikleri keski bıçaklarının üzerindeki somunlarla hizalayın.

► **Şek.16:** 1. Somun

2. Talaş yakalayıcının tırnaklarını keski bıçaklarının üzerindeki girintiye geçirin.

► **Şek.17:** 1. Tırnak 2. Girinti

3. Talaş yakalayıcı üzerindeki mandallara bastırın ve ardından diğer taraftaki tırnakları keski bıçaklarının üzerindeki girintiye geçirin.

► **Şek.18:** 1. Mandal

Talaş yakalayıcıyı çıkarmak için mandallara bastırarak tırnakları serbest bırakın.

► **Şek.19:** 1. Mandal

**ÖNEMLİ NOT:** Talaş yakalayıcı, keski bıçaklarının kanallarına tırnaklarıyla kilitlemiş durumda olduğundan aşırı güç uygulayarak çıkarmaya çalışmayın.

## KULLANIM

### Aletin kullanılması

**⚠ UYARI:** Aleti hiçbir elektrik hattının yanında kullanmayın. Elektrik hatlarıyla temas veya aleti elektrik hatlarının yanında kullanmak ciddi yaralanma veya ölüme sonuçlanacak elektrik çarpmasına neden olabilir.

**⚠ UYARI:** Ellerinizi keski bıçaklarından uzak tutun.

**⚠ UYARI:** Aletin kontrolünün her zaman sizde olması için son derece dikkatli olun. Aletin, size veya çalıştığınız çevredeki herhangi birine doğru dönmesine izin vermeyin. Aleti kontrol altında tutamamak çevredekilerin ve kullanıcının ciddi bir şekilde yaralanmasına neden olabilir.

**⚠ DİKKAT:** Mümkünse, aleti çok sıcak havalarda kullanmaktan kaçının. Aleti kullanırken fiziksel durumunuza dikkat edin.

**⚠ DİKKAT:** Budama sırasında metal bir çite ya da başka sert nesnelere temas etmemeye dikkat edin. Keski bıçakları kırılabilir ve yaralanmaya neden olabilir.

**⚠ DİKKAT:** Keski bıçaklarının yere temas etmesine izin vermeyin. Alet geri tepebilir ve yaralanmaya neden olabilir.

**⚠ DİKKAT:** Bir çit budama aletini normalde uzanamayaçağınız bir yükseklik için kullanmaya çalışmak, özellikle de merdivene çıkıp kullanmaya çalışmak, aşırı derecede tehlikelidir. Sallanan veya zayıf bir zemin üzerinde dururken çalışmayın.

**ÖNEMLİ NOT:** Aletle, çapı 10 mm'den daha kalın dalları kesmeye çalışmayın. Aleti kullanmadan önce, dal budayıcı kullanarak dalları kesim yüksekliğinden 10 cm aşağıda olacak şekilde kesin.

► **Şek.20:** (1) Kesim yüksekliği (2) 10 cm

**ÖNEMLİ NOT:** Ötü ağaçları veya benzer sert nesnelere kesmeyin. Aksi takdirde alete hasar verebilirsiniz.

**ÖNEMLİ NOT:** Keski bıçaklarını kullanırken çimlerini ya da yabancı otları biçmeyin. Keski bıçakları çime ya da yabancı otlara dolanabilir.

Aleti, ön sap ve arka saptan tutarak iki elinizle tutun.

► **Şek.21:** 1. Ön sap 2. Arka sap

Güvenlik kilidi düşmesine basarken anahtar tetiği çekin ve ardından aleti ileriye doğru hareket ettirin.

► **Şek.22**

Temel çalışma için, keski bıçaklarını kesim yönünde eğin ve metre başına 3 ila 4 saniyelik bir hızla sakın ve yavaş bir biçimde hareket ettirin.

► **Şek.23**

Çitin yan kısmını düzgün bir şekilde kesmek için aşağıdan yukarı doğru kesin.

► **Şek.24**

Yuvarlak bir şekil elde etmek için budama yapıldıkça (şimşir veya orman güdü ve benzerinin budanması sırasında) iyi bir sonuç elde etmek için aşağıdan yukarıya doğru budama yapın.

► **Şek.25**

Keski bıçaklarına talaş yakalayıcı takıldığında, talaş yakalayıcı atık yaprakları toplayarak işiniz bittikten sonra temizlik yapmayı kolaylaştırır.

► **Şek.26**

## BAKIM

**⚠ DİKKAT:** Muayene ya da bakım yapmadan önce aletin kapalı ve batarya kartuşunun çıkartılmış olduğundan daima emin olun.

**⚠ DİKKAT:** Aleti kontrol ederken veya bakımını yaparken aleti daima yere koyun. Aleti dik konumda monte etmek veya ayarlamak ciddi yaralanmaya neden olabilir.

Aleti EMNİYETLİ ve ÇALIŞMAYA HAZIR durumda tutmak için onarımlar, başka her türlü bakım ve ayarlamalar daima Makita yedek parçaları kullanılarak Makita yetkili servis merkezleri veya Fabrikanın Servis Merkezleri tarafından yapılmalıdır.

### Aletin temizlenmesi

Alet gövdesini kuru bir bezle veya sabunlu suya batırılıp sıkılmış bir bezle temizleyin.

**ÖNEMLİ NOT:** Benzin, tiner, alkol ve benzeri maddeleri kesinlikle kullanmayın. Renk değişimi, deformasyon veya çatlaklar oluşabilir.

## Keski bıçağı bakımı

Çalışmadan önce veya çalışma sırasında saatte bir kez, keski bıçaklarına düşük viskoziteli yağ (makine yağı ya da sprey şeklinde yağ) uygulayın.

### ► Şek.27

Çalışmanın ardından, keski bıçaklarının her iki tarafındaki tozları tel fırça ile giderin, bir bezle silin ve keski bıçaklarına düşük viskoziteli yağ (makine yağı veya sprey şeklinde yağ) uygulayın.

### ► Şek.28

**ÖNEMLİ NOT:** Keski bıçaklarını suda yıkamayın. Bunu yapmak paslanmaya ya da alete zarar gelmesine neden olabilir.

**ÖNEMLİ NOT:** Kir ve korozyon bıçaklarda aşırı sürtünmeye neden olabilir ve bir seferlik batarya şarjıyla çalışabilen süreyi kısaltır.

## Saklama

Bıçak kılıfını bıçaklar örtülecek şekilde keski bıçaklarına takın. Aleti çocukların erişemeyeceği bir yerde saklayın. Aleti neme ya da yağmura maruz kalmayan bir yerde saklayın.

## SORUN GİDERME

Onarım için servise gitmeden önce kontrolleri yapın. Kılavuzda açıklanmayan bir problemle karşılaşırsanız aleti demonte etmeyin. Bunun yerine, Makita Yetkili Servis Merkezlerine başvurun ve daima orijinal Makita yedek parçaları kullanın.

Anormal durum	Olası nedeni (arıza)	Çözümü
Motor çalışmıyor.	Batarya kartuşu takılı değil.	Batarya kartuşunu takın.
	Batarya sorunu (voltaj yetersiz)	Bataryayı şarj edin. Şarj etmek işe yaramıyorsa, bataryayı değiştirin.
	Sürüş sistemi doğru işlemiyor.	Yerel yetkili servis merkezinizden tamir etmelerini isteyin.
Kısa bir kullanımdan sonra motor duruyor.	Bataryanın şarj seviyesi düşük.	Bataryayı şarj edin. Şarj etmek işe yaramıyorsa, bataryayı değiştirin.
	Aşırı ısınma.	Aleti kullanmayı durdurun ve soğumasını bekleyin.
Alet maksimum devre ulaşmıyor.	Batarya düzgün takılmamış.	Batarya kartuşunu bu kılavuzda açıklandığı gibi takın.
	Batarya gücü düşüyor.	Bataryayı şarj edin. Şarj etmek işe yaramıyorsa, bataryayı değiştirin.
	Sürüş sistemi doğru işlemiyor.	Yerel yetkili servis merkezinizden tamir etmelerini isteyin.
Keski bıçakları hareket etmiyor: ⇒ makineyi hemen durdurun!	Uygun olmayan keski bıçağı açısı.	Başlığın çalışma açısında sıkıca sabitlendiğinden emin olun.
	Keski bıçaklarının arasına yabancı maddeler takılmış.	Aleti kapatın ve batarya kartuşunu çıkarın, ardından yabancı maddeleri pense vb. kullanarak çıkarın.
	Sürüş sistemi doğru işlemiyor.	Yerel yetkili servis merkezinizden tamir etmelerini isteyin.
Olağan dışı titreşim: ⇒ makineyi hemen durdurun!	Keski bıçakları kırık, eğilmiş veya aşınmış.	Keski bıçaklarını değiştirin.
	Sürüş sistemi doğru işlemiyor.	Yerel yetkili servis merkezinizden tamir etmelerini isteyin.
Keski bıçakları ve motor durmuyor: ⇒ Bataryayı hemen çıkarın!	Elektrik arızası.	Bataryayı çıkarın ve yerel yetkili servis merkezinizden tamir etmelerini isteyin.

## İSTEĞE BAĞLI AKSESUARLAR

**⚠ DİKKAT:** Bu aksesuarlar ve ek parçalar bu el kitabında belirtilen Makita aletiniz ile kullanılmak için tavsiye edilmektedir. Herhangi başka bir aksesuar ya da ek parça kullanılması insanlar için bir yaralanma riski getirebilir. Aksesuarları ya da ek parçaları yalnızca belirtilmiş olan kullanım amaçlarına uygun olarak kullanın.

Bu aksesuarlarla ilgili daha fazla bilgiye ihtiyaç duyarsanız bulunduğunuz yerdeki yetkili Makita servisine başvurun.

- Keski bıçağı takımı
- Talaş yakalayıcı
- Gres kabı
- Orijinal Makita batarya ve şarj aleti

**NOT:** Listedeki parçaların bazıları alet paketi içerisinde standart aksesuar olarak dahil edilmiş olabilir. Bunlar ülkeden ülkeye farklılık gösterebilir.



**Makita Europe N.V.** Jan-Baptist Vinkstraat 2,  
3070 Kortenberg, Belgium

**Makita Corporation** 3-11-8, Sumiyoshi-cho,  
Anjo, Aichi 446-8502 Japan

[www.makita.com](http://www.makita.com)

885883-994 EN, FR, DE, IT, NL, ES, PT, DA, EL, TR 20210126
---