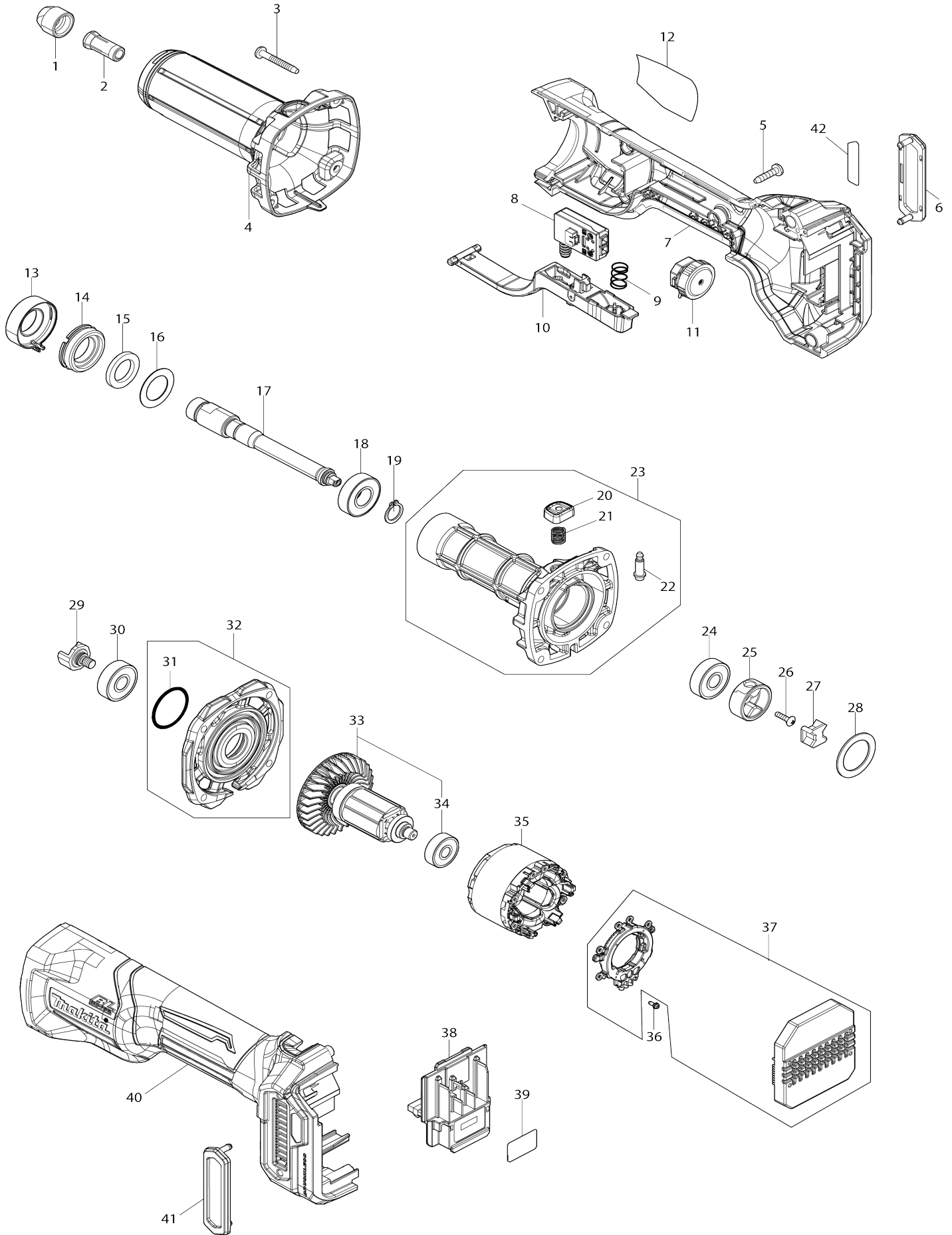


Model No.GD002G CORDLESS DIE GRINDER



Model No.GD002G CORDLESS DIE GRINDER

Item No.	Parts No.	Description	Interchangability	Q'ty	New/Old	Note1	Note2
001	763668-0	Collet nut		1			
002	763670-3	Collet cone 6		1			
003	266361-0	Binding head tapping screw 4X30		4			
004	4132W8-2	INSULATION COVER		1			
005	266326-2	Binding head tapping screw 4X18		5			
006	422A12-3	Dust cover		1			
007	1831L9-8	Motor housing set		1			
C10	263005-3	Rubber pin 6		2			
007		INC. 40					
008	651083-9	Switch C3XA-1PSPM		1			
009	233263-5	Compression spring 9		1			
010	1411U8-9	SWITCH LEVER COMPLETE		1			
011	620S09-6	DIAL CIRCUIT		1			
012	8151E9-8	Name plate GD002G		1			
013	620S10-1	LED CIRCUIT		1			
014	285060-5	BEARING RETAINER 17-32		1			
015	443124-3	Felt ring 17		1			
016	267329-9	Flat washer 18		1			
017	327F66-4	SPINDLE		1			
018	211142-7	Ball bearing 6001LLB		1			
019	961052-5	Retaining ring (EXT) S-12		1			
020	4132X2-1	PIN CAP		1			
021	234332-5	Compression spring 7		1			
022	256510-7	Shoulder pin 4		1			
023	137337-3	Barrel assembly		1			
023		INC. 20-22					
024	210042-8	Ball bearing 629LLB		1			
025	327F45-2	COUPLING A		1			
026	265E38-4	+TRUSS HEAD SCREW M3X12		1			
027	421942-9	Spacer		1			
028	267126-3	Flat washer 22		1			
029	324639-8	Coupling		1			
030	210042-8	Ball bearing 629LLB		1			
031	213445-5	O-ring 26		1			
032	137338-1	Motor bracket assembly		1			
032		INC. 31					
033	519917-1	Rotor assembly		1			
033		INC. 34					
034	210023-2	Ball bearing 627DDW		1			
035	629C99-0	Stator		1			
036	652119-7	Pan head screw M2X6		6			
037	620S08-8	CONTROLLER		1			
038	632P65-6	Terminal unit		1			
039	8151F1-1	Serial No. label GD002G		1			
040	1831L9-8	Motor housing set		1			
C10	263005-3	Rubber pin 6		2			

040		INC. 7				
041	422A12-3	Dust cover		1		
042	8082A8-5	Indication label		1		
A01	781039-9	Wrench 13		1		
A04B	821551-8	Connector plastic case (type 3)		1		
C10	453974-8	Latch		4		
A05B	836573-5	Inner tray		1		
A06B	191B26-6	Battery BL4040 set		2		
A07B	412393-7	Battery cover		2		
A08B	***DC40RA	DC40RA FAST CHARGER		1		
A08B		COMPO-PARTS				

Please state Parts No. when your order.

Print Date 09/09/2025