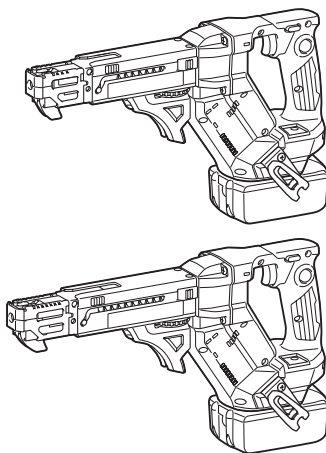
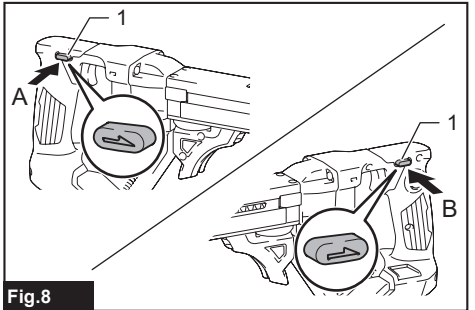
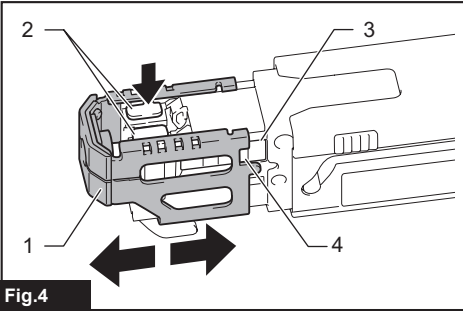
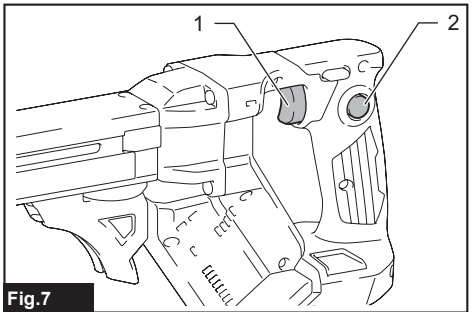
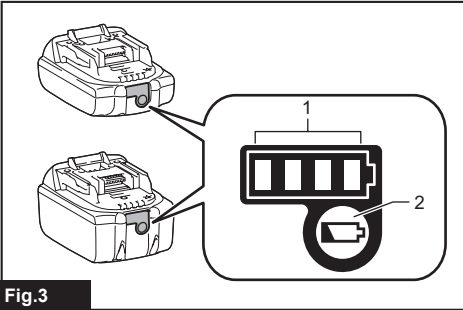
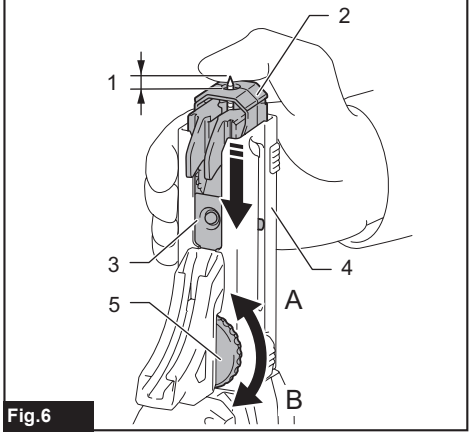
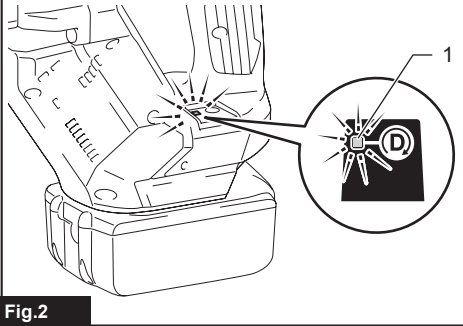
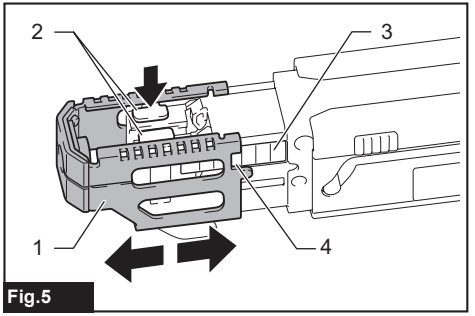
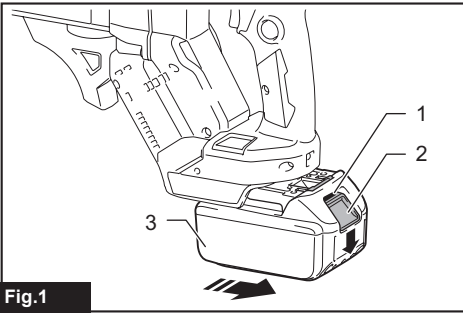


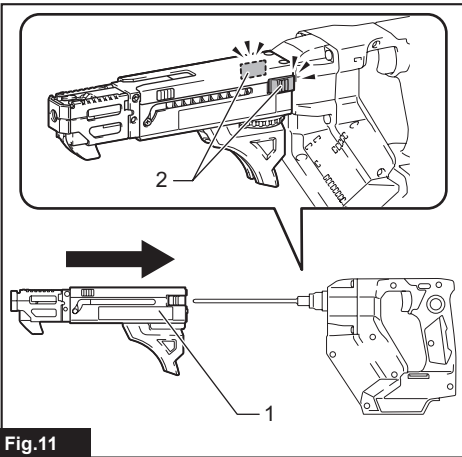
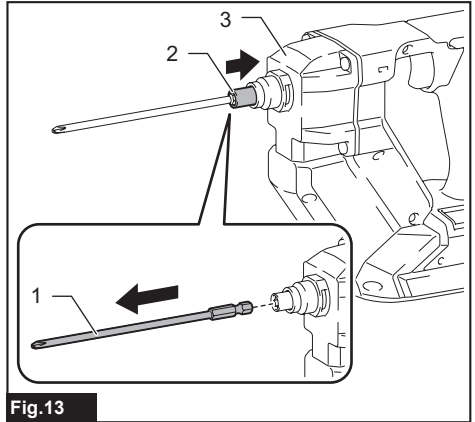
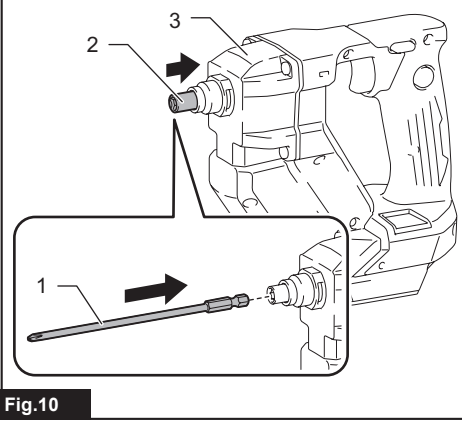
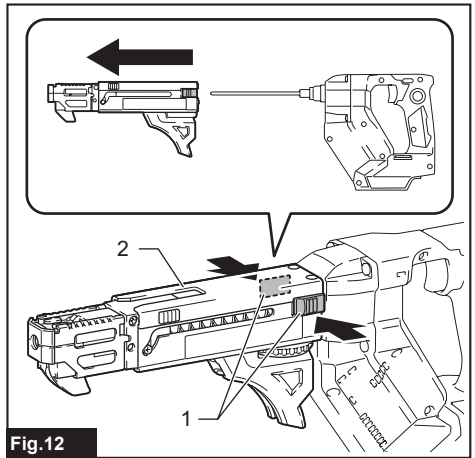
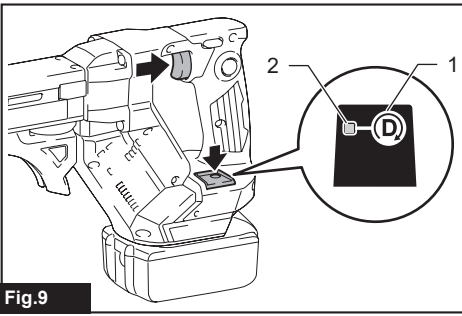


EN	Cordless Auto Feed Screwdriver	INSTRUCTION MANUAL	6
PL	Akum. Wkrętarka z magazynkiem	INSTRUKCJA OBSŁUGI	13
HU	Vezeték nélküli táras csavarbehajtó	HASZNÁLATI KÉZIKÖNYV	21
SK	Akumulátorový skrutkovač s automatickým podávaním	NÁVOD NA OBSLUHU	28
CS	Akumulátorový šroubovák s automatickým podavačem	NÁVOD K OBSLUZE	35
UK	Бездротовий шуруповерт з автоматичною подачею	ІНСТРУКЦІЯ З ЕКСПЛУАТАЦІЇ	42
RO	Mașină de înșurubat cu acumulator, cu alimentare automată	MANUAL DE INSTRUCȚIUNI	50
DE	Akku-Schnellbau-Magazin-Schrauber	BETRIEBSANLEITUNG	58

DFR452
DFR453
DFR551
DFR552







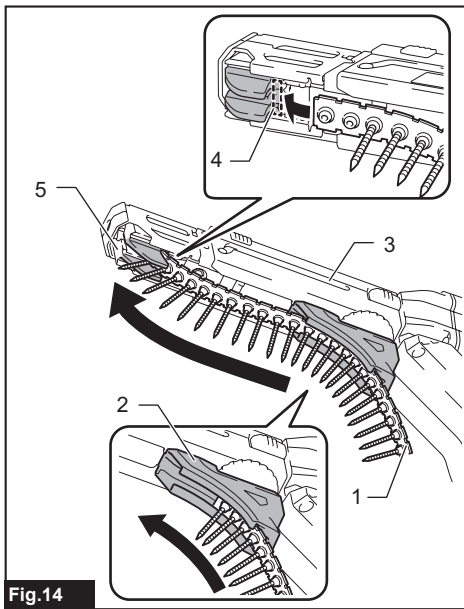


Fig. 14

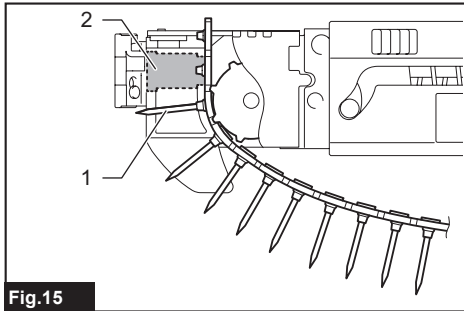


Fig. 15

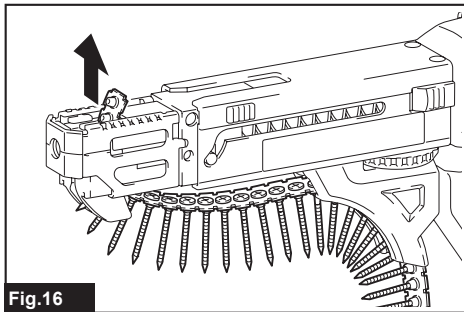


Fig. 16

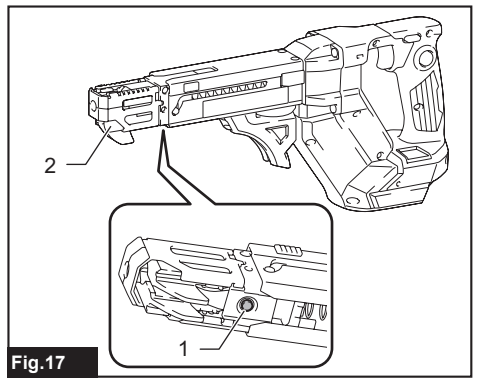


Fig. 17

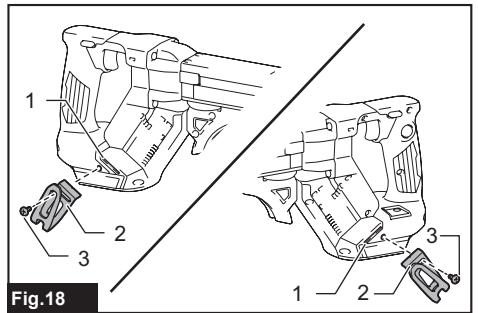


Fig. 18

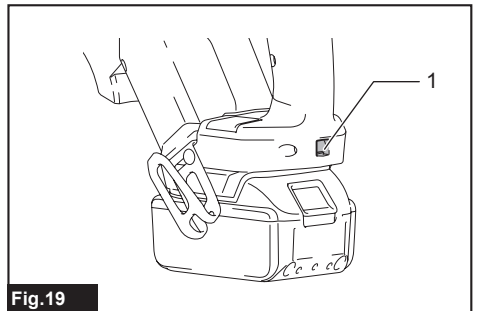


Fig. 19

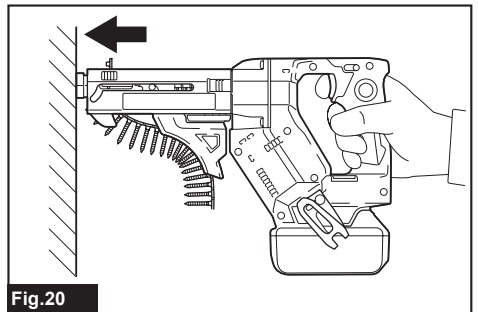


Fig. 20

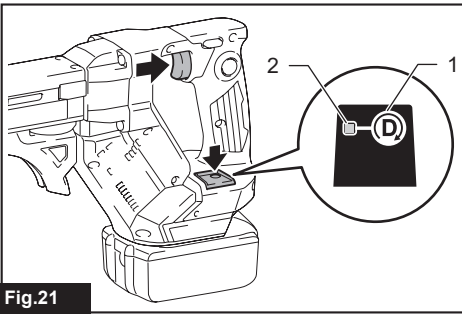


Fig.21

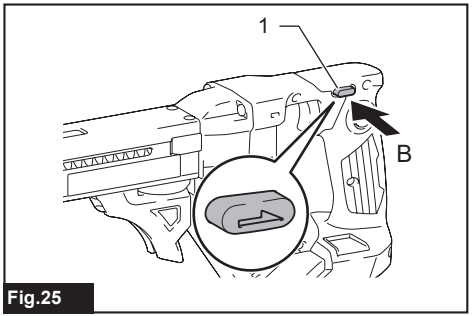


Fig.25

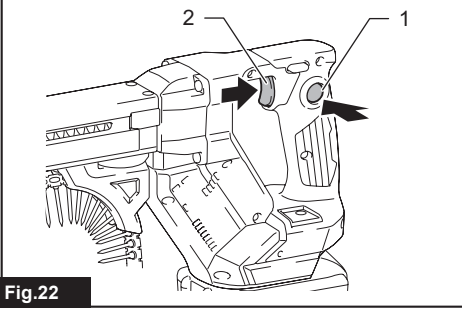


Fig.22

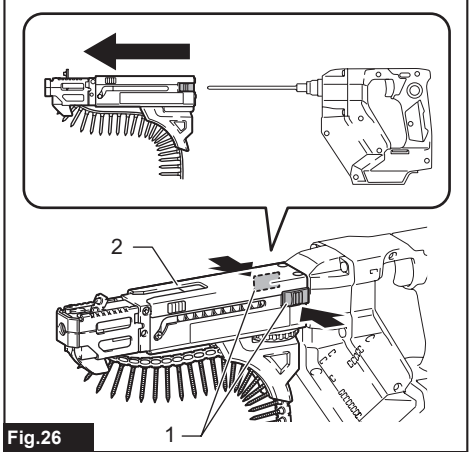


Fig.26

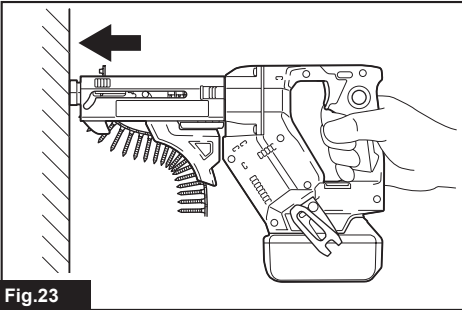


Fig.23

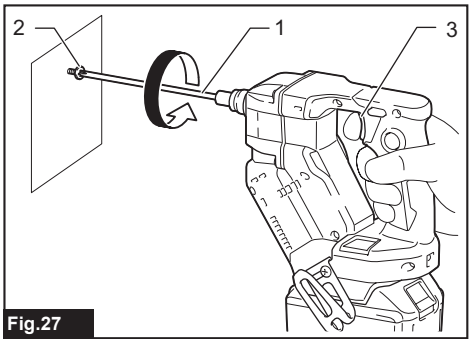


Fig.27

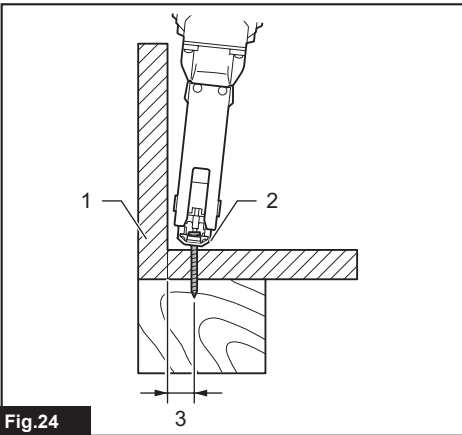


Fig.24

SPECIFICATIONS

Model:	DFR452	DFR453	DFR551	DFR552
Screw strip	ø3.5 mm x 20 mm - ø4.2 mm x 41 mm		ø3.5 mm x 25 mm - ø4.2 mm x 55 mm	
No load speed	0 - 6,000 min ⁻¹	0 - 4,500 min ⁻¹	0 - 6,000 min ⁻¹	0 - 4,500 min ⁻¹
Overall length	360 mm		396 mm	
Rated voltage	D.C. 18 V			
Net weight	1.9 - 2.2 kg			

- Due to our continuing program of research and development, the specifications herein are subject to change without notice.
- Specifications may differ from country to country.
- The weight may differ depending on the attachment(s), including the battery cartridge. The lightest and heaviest combinations, according to EPTA-Procedure 01/2014, are shown in the table.

Applicable battery cartridge and charger

Battery cartridge	BL1815N / BL1820B / BL1830B / BL1840B / BL1850B / BL1860B
Charger	DC18RC / DC18RD / DC18RE / DC18SD / DC18SE / DC18SF / DC18SH / DC18WC

- Some of the battery cartridges and chargers listed above may not be available depending on your region of residence.

⚠ WARNING: Only use the battery cartridges and chargers listed above. Use of any other battery cartridges and chargers may cause injury and/or fire.

Intended use

The tool is intended for screw driving in wood, metal and plastic.

Noise

The typical A-weighted noise level determined according to EN62841-2-2:

Model	Sound pressure level (L _{PA}) : (dB(A))	Uncertainty (K) : (dB(A))
DFR452	78	3
DFR453	79	3
DFR551	77	3
DFR552	78	3

The noise level under working may exceed 80 dB (A).

NOTE: The declared noise emission value(s) has been measured in accordance with a standard test method and may be used for comparing one tool with another.

NOTE: The declared noise emission value(s) may also be used in a preliminary assessment of exposure.

⚠ WARNING: Wear ear protection.

⚠ WARNING: The noise emission during actual use of the power tool can differ from the declared value(s) depending on the ways in which the tool is used especially what kind of workpiece is processed.

⚠ WARNING: Be sure to identify safety measures to protect the operator that are based on an estimation of exposure in the actual conditions of use (taking account of all parts of the operating cycle such as the times when the tool is switched off and when it is running idle in addition to the trigger time).

Vibration

The vibration total value (tri-axial vector sum) determined according to EN62841-2-2:

Work mode: screwdriving without impact

Model	Vibration emission (a _h) : (m/s ²)	Uncertainty (K) : (m/s ²)
DFR452	2.5 m/s ² or less	1.5 m/s ²
DFR453		
DFR551		
DFR552		

NOTE: The declared vibration total value(s) has been measured in accordance with a standard test method and may be used for comparing one tool with another.

NOTE: The declared vibration total value(s) may also be used in a preliminary assessment of exposure.

⚠️WARNING: The vibration emission during actual use of the power tool can differ from the declared value(s) depending on the ways in which the tool is used especially what kind of workpiece is processed.

⚠️WARNING: Be sure to identify safety measures to protect the operator that are based on an estimation of exposure in the actual conditions of use (taking account of all parts of the operating cycle such as the times when the tool is switched off and when it is running idle in addition to the trigger time).

Declarations of Conformity

For European countries only

The Declarations of conformity are included in Annex A to this instruction manual.

SAFETY WARNINGS

General power tool safety warnings

⚠️WARNING Read all safety warnings, instructions, illustrations and specifications provided with this power tool. Failure to follow all instructions listed below may result in electric shock, fire and/or serious injury.

Save all warnings and instructions for future reference.

The term "power tool" in the warnings refers to your mains-operated (corded) power tool or battery-operated (cordless) power tool.

Cordless screwdriver safety warnings

1. **Hold the power tool by insulated gripping surfaces, when performing an operation where the fastener may contact hidden wiring.** Fasteners contacting a "live" wire may make exposed metal parts of the power tool "live" and could give the operator an electric shock.
2. **Always be sure you have a firm footing. Be sure no one is below when using the tool in high locations.**
3. **Hold the tool firmly.**
4. **Keep hands away from rotating parts.**
5. **Do not touch the bit or the workpiece immediately after operation; they may be extremely hot and could burn your skin.**
6. **Always secure workpiece in a vise or similar hold-down device.**
7. **Make sure there are no electrical cables, water pipes, gas pipes etc. that could cause a hazard if damaged by use of the tool.**

SAVE THESE INSTRUCTIONS.

⚠️WARNING: DO NOT let comfort or familiarity with product (gained from repeated use) replace strict adherence to safety rules for the subject product.

MISUSE or failure to follow the safety rules stated in this instruction manual may cause serious personal injury.

Important safety instructions for battery cartridge

1. **Before using battery cartridge, read all instructions and cautionary markings on (1) battery charger, (2) battery, and (3) product using battery.**
2. **Do not disassemble or tamper with the battery cartridge.** It may result in a fire, excessive heat, or explosion.
3. **If operating time has become excessively shorter, stop operating immediately.** It may result in a risk of overheating, possible burns and even an explosion.
4. **If electrolyte gets into your eyes, rinse them out with clear water and seek medical attention right away.** It may result in loss of your eyesight.
5. **Do not short the battery cartridge:**
 - (1) **Do not touch the terminals with any conductive material.**
 - (2) **Avoid storing battery cartridge in a container with other metal objects such as nails, coins, etc.**
 - (3) **Do not expose battery cartridge to water or rain.**

A battery short can cause a large current flow, overheating, possible burns and even a breakdown.

6. **Do not store and use the tool and battery cartridge in locations where the temperature may reach or exceed 50 °C (122 °F).**
7. **Do not incinerate the battery cartridge even if it is severely damaged or is completely worn out. The battery cartridge can explode in a fire.**
8. **Do not nail, cut, crush, throw, drop the battery cartridge, or hit against a hard object to the battery cartridge.** Such conduct may result in a fire, excessive heat, or explosion.
9. **Do not use a damaged battery.**
10. **The contained lithium-ion batteries are subject to the Dangerous Goods Legislation requirements.**

For commercial transports e.g. by third parties, forwarding agents, special requirement on packaging and labeling must be observed.

For preparation of the item being shipped, consulting an expert for hazardous material is required. Please also observe possibly more detailed national regulations.

Tape or mask off open contacts and pack up the battery in such a manner that it cannot move around in the packaging.

11. **When disposing the battery cartridge, remove it from the tool and dispose of it in a safe place. Follow your local regulations relating to disposal of battery.**
12. **Use the batteries only with the products specified by Makita.** Installing the batteries to non-compliant products may result in a fire, excessive heat, explosion, or leak of electrolyte.
13. **If the tool is not used for a long period of time, the battery must be removed from the tool.**
14. **During and after use, the battery cartridge may take on heat which can cause burns or low temperature burns. Pay attention to the handling of hot battery cartridges.**
15. **Do not touch the terminal of the tool immediately after use as it may get hot enough to cause burns.**
16. **Do not allow chips, dust, or soil stuck into the terminals, holes, and grooves of the battery cartridge.** It may cause heating, catching fire, burst and malfunction of the tool or battery cartridge, resulting in burns or personal injury.
17. **Unless the tool supports the use near high-voltage electrical power lines, do not use the battery cartridge near high-voltage electrical power lines.** It may result in a malfunction or breakdown of the tool or battery cartridge.
18. **Keep the battery away from children.**

SAVE THESE INSTRUCTIONS.

⚠ CAUTION: Only use genuine Makita batteries. Use of non-genuine Makita batteries, or batteries that have been altered, may result in the battery bursting causing fires, personal injury and damage. It will also void the Makita warranty for the Makita tool and charger.

Tips for maintaining maximum battery life

1. **Charge the battery cartridge before completely discharged. Always stop tool operation and charge the battery cartridge when you notice less tool power.**
2. **Never recharge a fully charged battery cartridge. Overcharging shortens the battery service life.**
3. **Charge the battery cartridge with room temperature at 10 °C - 40 °C (50 °F - 104 °F). Let a hot battery cartridge cool down before charging it.**
4. **When not using the battery cartridge, remove it from the tool or the charger.**
5. **Charge the battery cartridge if you do not use it for a long period (more than six months).**

FUNCTIONAL DESCRIPTION

⚠ CAUTION: Always be sure that the tool is switched off and the battery cartridge is removed before adjusting or checking function on the tool.

Installing or removing battery cartridge

⚠ CAUTION: Always switch off the tool before installing or removing of the battery cartridge.

⚠ CAUTION: Hold the tool and the battery cartridge firmly when installing or removing battery cartridge. Failure to hold the tool and the battery cartridge firmly may cause them to slip off your hands and result in damage to the tool and battery cartridge and a personal injury.

To install the battery cartridge, align the tongue on the battery cartridge with the groove in the housing and slip it into place. Insert it all the way until it locks in place with a little click. If you can see the red indicator as shown in the figure, it is not locked completely.

To remove the battery cartridge, slide it from the tool while sliding the button on the front of the cartridge.

► **Fig.1:** 1. Red indicator 2. Button 3. Battery cartridge

⚠ CAUTION: Always install the battery cartridge fully until the red indicator cannot be seen. If not, it may accidentally fall out of the tool, causing injury to you or someone around you.

⚠ CAUTION: Do not install the battery cartridge forcibly. If the cartridge does not slide in easily, it is not being inserted correctly.

Tool / battery protection system

The tool is equipped with a tool/battery protection system. This system automatically cuts off power to the motor to extend tool and battery life. The tool will automatically stop during operation if the tool or battery is placed under one of the following conditions:

Overload protection

When the tool/battery is operated in a manner that causes it to draw an abnormally high current, the tool stops automatically. In this situation, turn the tool off and stop the application that caused the tool to become overloaded. Then turn the tool on to restart.

Overheat protection

When the tool/battery is overheated, the tool stops automatically. In this situation, let the tool/battery cool before turning the tool on again.

Overdischarge protection

When the battery capacity is not enough, the tool stops automatically. In this case, remove the battery from the tool and charge the battery.

Protections against other causes

Protection system is also designed for other causes that could damage the tool and allows the tool to stop automatically. Take all the following steps to clear the causes, when the tool has been brought to a temporary halt or stop in operation.

1. Turn the tool off, and then turn it on again to restart.
2. Charge the battery(ies) or replace it/them with recharged battery(ies).
3. Let the tool and battery(ies) cool down.

If no improvement can be found by restoring protection system, then contact your local Makita Service Center.

Alert indicator

The indicator lamp on the push drive mode selector raises an alert with flashing red lights when the tool works in the following operating conditions.

► **Fig.2:** 1. Indicator lamp

Lamp status	Causes	Remedies
Fast flashing (approx. one-third second intervals)	Battery getting low	Charge the battery at your earliest opportunity.
Delayed flashing (approx. a second intervals)	Overheated	Let the tool cool down before turning it on again.

NOTE: An over-discharge alert may appear depending on the battery status and operational conditions.

Indicating the remaining battery capacity

Only for battery cartridges with the indicator

Press the check button on the battery cartridge to indicate the remaining battery capacity. The indicator lamps light up for a few seconds.

► **Fig.3:** 1. Indicator lamps 2. Check button

Indicator lamps			Remaining capacity
Lighted	Off	Blinking	
■	□	◐	75% to 100%
■ ■ ■ ■			
■ ■ ■	□		50% to 75%
■ ■	□ □		25% to 50%
■	□ □ □		0% to 25%
◐	□ □ □		Charge the battery.
■ ■ □ □	□ □	■ ■	The battery may have malfunctioned.
□ □	■ ■		

NOTE: Depending on the conditions of use and the ambient temperature, the indication may differ slightly from the actual capacity.

NOTE: The first (far left) indicator lamp will blink when the battery protection system works.

Setting for desired screw lengths

For model DFR452 / DFR453

The tool provides 4 positive-lock screw length settings. Slide the stopper base out and in while depressing the levers on the top surface of the stopper base so the number for desired screw length (indicated on the label) appears in the reading window. See the following table for details on the numbers allocated to your desired screw lengths.

► **Fig.4:** 1. Stopper base 2. Levers 3. Label 4. Reading window

Numbers indicated on the label	Screw length ranges
20	20 mm (13/16")
25	25 mm - 28 mm (1" - 1-1/8")
32	28 mm - 35 mm (1-1/8" - 1-3/8")
41	35 mm - 41 mm (1-3/8" - 1-5/8")

For model DFR551 / DFR552

The tool provides 7 positive-lock screw length settings. Slide the stopper base out and in while depressing the levers on the top surface of the stopper base so the number for desired screw length (indicated on the label) appears in the reading window. See the following table for details on the numbers allocated to your desired screw lengths.

► **Fig.5:** 1. Stopper base 2. Levers 3. Label 4. Reading window

Numbers indicated on the label	Screw length ranges
25	25 mm (1")
30	25 mm - 30 mm (1" - 1-3/16")
35	30 mm - 35 mm (1-3/16" - 1-3/8")
40	35 mm - 40 mm (1-3/8" - 1-9/16")
45	40 mm - 45 mm (1-9/16" - 1-3/4")
50	45 mm - 50 mm (1-3/4" - 2")
55	50 mm - 55 mm (2" - 2-3/16")

Adjusting driving depths

Press the front face of the stopper base and hold the feeder box down into the casing as far as it will go. While keeping it in that position, turn the adjusting dial so that the driver bit tip comes out approximately 6 mm from the front face of the stopper base. Drive a trial screw. If the screw head stands above the workpiece surface, turn the adjusting dial in the A direction; if the screw head sits below the surface, turn the adjusting dial in the B direction.

► **Fig.6:** 1. Approx. 6 mm 2. Stopper base 3. Feeder box 4. Casing 5. Adjusting dial

Switch action

⚠ WARNING: Before installing the battery cartridge into the tool, always check to see that the switch trigger actuates properly and returns to the "OFF" position when released.

To start the tool, pull the switch trigger. Tool speed is increased by increasing pressure on the switch trigger. Release the switch trigger to stop. For continuous operation, pull the switch trigger, push in the lock button and then release the trigger. To stop the tool from the locked position, pull the switch trigger fully, and then release it.

► **Fig.7:** 1. Switch trigger 2. Lock button

Reversing switch action

⚠ CAUTION: Always check the direction of rotation before operation.

⚠ CAUTION: Use the reversing switch only after the tool comes to a complete stop. Changing the direction of rotation before the tool stops may damage the tool.

⚠ CAUTION: When not operating the tool, always set the reversing switch lever to the neutral position.

This tool has a reversing switch to change the direction of rotation. Depress the reversing switch lever from the A side for clockwise rotation or from the B side for counterclockwise rotation.

When the reversing switch lever is in the neutral position, the switch trigger cannot be pulled.

► **Fig.8:** 1. Reversing switch lever

Push drive mode

In push drive mode, the driver bit only rotates by applying pressure onto the driving surface with the stopper base, allowing the tool to cut off power to the motor to save battery power at idle.

To select push drive mode, pull the switch trigger slightly, then release it and quickly press the mode select button. The indicator lamp on the push drive mode selector will then light up.

► **Fig.9:** 1. Mode select button 2. Indicator lamp

NOTE: Push drive mode will automatically be deactivated after eight hours with the switch trigger locked on and no further switch operation. To restart the tool, pull the switch trigger fully to release the lock button, and pull the trigger again.

Accidental re-start preventive function

Even if you install the battery cartridge while pulling the switch trigger, the tool does not start.

To start the tool, first release the switch trigger and then pull the switch trigger.

ASSEMBLY

⚠ CAUTION: Always be sure that the tool is switched off and the battery cartridge is removed before carrying out any work on the tool.

Installing and removing driver bit

⚠ CAUTION: Be careful not to touch the sharp edges of screws while reassembling the components and attachments.

⚠ CAUTION: Handle accessories and attachments with care. Always be sure to hold accessories and attachments body firmly when installing and removing. Otherwise the accessories and attachments may slip off from your hands and fall.

⚠ CAUTION: Hold the casing when installing and removing attachments.

⚠ CAUTION: Always switch off and remove the battery cartridge when changing the bit.

Installing driver bit

1. To install a driver bit, place it into the spindle hole as far as it will go while pushing and holding the spindle into the gear housing. Then release the spindle to secure the driver bit.

► **Fig.10:** 1. Driver bit 2. Spindle 3. Gear housing

2. Push the casing into the gear housing while holding the body of the casing firmly until the release buttons on each side of the casing lock in place with a little click.

► **Fig.11:** 1. Casing 2. Release buttons

Removing driver bit

1. Press and hold the release buttons on each side of the casing, and then pull the casing apart.

► **Fig.12:** 1. Release buttons 2. Casing

2. To remove the driver bit, pull it off while pushing and holding the spindle into the gear housing.

► **Fig.13:** 1. Driver bit 2. Spindle 3. Gear housing

Installing screw strip

⚠ CAUTION: Always switch off and remove the battery cartridge when cutting the screw strip.

Insert a screw strip through the screw strip guide on the casing, and then insert it through the screw loading guide in the feeder box.

► **Fig.14:** 1. Screw strip 2. Screw strip guide 3. Casing 4. Screw loading guide 5. Feeder box

NOTE: Make sure to set the first screw in the second row next to the driving position.

► **Fig.15:** 1. First screw 2. Driving position

Removing screw strip

⚠ CAUTION: Always remove the screw strip before removing the attachment.

To remove the screw strip, pull it upwards out of the feeder box.

► Fig.16

The screw strip can be pulled downwards out of the feeder box while pressing the reverse button on the feeder box.

► Fig.17: 1. Reverse button 2. Feeder box

Installing hook

⚠ WARNING: Use the hanging/mounting parts for their intended purposes only, e.g., hanging the tool on a tool belt between jobs or work intervals.

⚠ WARNING: Be careful not to overload the hook as too much force or irregular overburden may cause damages to the tool resulting in personal injury.

⚠ CAUTION: When installing the hook, always secure it with the screw firmly. If not, the hook may come off from the tool and result in the personal injury.

⚠ CAUTION: Make sure to hang the tool securely before releasing your hold. Insufficient or unbalanced hooking may cause falling off and you may be injured.

► Fig.18: 1. Groove 2. Hook 3. Screw

The hook is convenient for temporarily hanging the tool. This can be installed on either side of the tool. To install the hook, insert it into a groove in the tool housing on either side and then secure it with a screw. To remove, loosen the screw and then take it out.

Using hole

⚠ WARNING: Never use the hanging hole for unintended purpose, for instance, tethering the tool at high location. Bearing stress in a heavily loaded hole may cause damages to the hole, resulting in injuries to you or people around or below you.

Use the hanging hole at the bottom rear of the tool to hang the tool on a wall using a hanging cord or similar strings.

► Fig.19: 1. Hanging hole

OPERATION

Driving operation

NOTICE: Always check the driver bit carefully for wear before driving operations. Replace a worn driver bit or poor fastening may result.

NOTICE: Always hold the tool squarely against the driving surface. Holding it at an angle may damage the screw heads and cause wear on the driver bit. This may also lead to poor fastening.

NOTICE: Always keep the tool firmly against the driving surface until the driving is over. Failure to do so may cause insufficient fastening of screws.

NOTICE: Be careful not to drive a screw onto another screw already fastened.

NOTICE: Do not operate the tool without screws. It will damage the driving surface.

NOTICE: Do not apply oil or grease on the sliding surface of the feeder box.

Switch on the tool by pulling the switch trigger. Hold the tool squarely and firmly up against the driving surface. A screw will be automatically carried to the driving position and fastened.

► Fig.20

Driving operation in push drive mode

1. Pull the switch trigger slightly and release it. Then quickly press the mode select button.

The indicator lamp on the push drive mode selector lights up, and push drive mode becomes activated.

► Fig.21: 1. Mode select button 2. Indicator lamp

2. Depress the lock button while pulling the switch trigger, and then release the switch trigger.

► Fig.22: 1. Lock button 2. Switch trigger

NOTE: While selecting push drive mode and locking the trigger on, the motor does not rotate under no load to minimize power consumption.

3. Hold the tool squarely against the driving surface and apply forward pressure to the tool.

The screw will be automatically carried to the driving position and driven at full speed.

► Fig.23

Driving in corner

⚠ CAUTION: Driving at a position closer than 15 mm to the wall or driving with the stopper base in contact with the wall may damage the screw heads and cause wear on the driver bit. This may also lead to poor fastening of screws and malfunction of the tool.

This tool can be used to drive at a position 15 mm away from the wall as shown in the figure.

► Fig.24: 1. Wall 2. Stopper base 3. 15 mm

Unfastening operation

⚠ CAUTION: Always check the direction of rotation before operation.

⚠ CAUTION: Use the reversing switch only after the tool comes to a complete stop. Changing the direction of rotation before the tool stops may damage the tool.

The tool allows you to change the direction of driver bit rotation with ease, either towards the right (clockwise) to tighten a screw or towards the left (counterclockwise) to loosen a screw.

1. Depress the reversing switch lever from the B side for counterclockwise rotation.

▶ **Fig.25:** 1. Reversing switch lever

2. Press and hold the release buttons on each side of the casing, and then pull the casing apart.

▶ **Fig.26:** 1. Release buttons 2. Casing

3. Place the tip of the driver bit into the head of the screw to be loosened.

4. Hold the tool firmly against the screw and squeeze the switch trigger to start.

▶ **Fig.27:** 1. Driver bit 2. Screw head 3. Switch trigger

5. Reset the casing back onto the gear housing until it locks in place after finishing operation.

MAINTENANCE

⚠ CAUTION: Always be sure that the tool is switched off and the battery cartridge is removed before attempting to perform inspection or maintenance.

NOTICE: Never use gasoline, benzine, thinner, alcohol or the like. Discoloration, deformation or cracks may result.

To maintain product SAFETY and RELIABILITY, repairs, any other maintenance or adjustment should be performed by Makita Authorized or Factory Service Centers, always using Makita replacement parts.

After use

Wipe off the tool using a dry cloth or cloth slightly moistened with soapy water at regular intervals.

OPTIONAL ACCESSORIES

⚠ CAUTION: These accessories or attachments are recommended for use with your Makita tool specified in this manual. The use of any other accessories or attachments might present a risk of injury to persons. Only use accessory or attachment for its stated purpose.

If you need any assistance for more details regarding these accessories, ask your local Makita Service Center.

- Drywall screw strip
- Phillips bit
- Square bit
- Pozidriv bit
- Casing
- Makita genuine battery and charger

NOTE: Some items in the list may be included in the tool package as standard accessories. They may differ from country to country.

DANE TECHNICZNE

Model:	DFR452	DFR453	DFR551	DFR552
Taśma z wkrętami	ø3,5 mm x 20 mm - ø4,2 mm x 41 mm		ø3,5 mm x 25 mm - ø4,2 mm x 55 mm	
Prędkość bez obciążenia	0 - 6 000 min ⁻¹	0-4 500 min ⁻¹	0-6 000 min ⁻¹	0-4 500 min ⁻¹
Długość całkowita	360 mm		396 mm	
Napięcie znamionowe	Prąd stały 18 V			
Masa netto	1,9 - 2,2 kg			

- W związku ze stale prowadzonym przez naszą firmę programem badawczo-rozwojowym niniejsze dane mogą ulec zmianom bez wcześniejszego powiadomienia.
- Dane techniczne mogą różnić się w zależności od kraju.
- Masa może być różna w zależności od osprzętu, w tym akumulatora. W tabeli przedstawiona jest najlżejsza i najcięższa konfiguracja, zgodnie z procedurą EPTA 01/2014.

Kompatybilne akumulatory i ładowarki

Akumulator	BL1815N / BL1820B / BL1830B / BL1840B / BL1850B / BL1860B
Ładowarka	DC18RC / DC18RD / DC18RE / DC18SD / DC18SE / DC18SF / DC18SH / DC18WC

- Pewne z wymienionych powyżej akumulatorów i ładowarek mogą być niedostępne w regionie zamieszkania użytkownika.

⚠ OSTRZEŻENIE: Należy używać wyłącznie akumulatorów i ładowarek wymienionych powyżej. Używanie innych akumulatorów i ładowarek może stwarzać ryzyko wystąpienia obrażeń ciała lub pożaru.

Przeznaczenie

Narzędzie jest przeznaczone do wkręcania śrub i wkrętów w drewnie, metalu i tworzywach sztucznych.

Hałas

Typowy równoważny poziom dźwięku A określony w oparciu o normę EN62841-2-2:

Model	Poziom ciśnienia akustycznego (L _{pa}): (dB(A))	Niepewność (K): (dB(A))
DFR452	78	3
DFR453	79	3
DFR551	77	3
DFR552	78	3

Poziom hałasu podczas pracy może przekraczać 80 dB (A).

WSKAZÓWKA: Deklarowana wartość emisji hałasu została zmierzona zgodnie ze standardową metodą testową i można ją wykorzystać do porównywania narzędzi.

WSKAZÓWKA: Deklarowaną wartość emisji hałasu można także wykorzystać we wstępnej ocenie narażenia.

⚠ OSTRZEŻENIE: Nosić ochronniki słuchu.

⚠ OSTRZEŻENIE: Poziom hałasu wytwarzanego podczas rzeczywistego użytkowania elektronarzędzia może się różnić od wartości deklarowanej w zależności od sposobu użytkowania narzędzia, a w szczególności od rodzaju obrabianego elementu.

⚠ OSTRZEŻENIE: W oparciu o szacowane narażenie w rzeczywistych warunkach użytkownika należy określić środki bezpieczeństwa w celu zapewnienia ochrony operatora (uwzględniając wszystkie elementy cyklu działania, tj. czas, kiedy narzędzie jest wyłączone i kiedy pracuje na biegu jałowym, a także czas, kiedy jest włączone).

Drgania

Całkowita wartość poziomu drgań (suma wektorów w 3 osiach) określona zgodnie z normą EN62841-2-2:

Tryb pracy: szlifowanie powierzchni ze standardowym uchwytem bocznym

Model	Emisja drgań (a _n): (m/s ²)	Niepewność (K): (m/s ²)
DFR452	2,5 m/s ² lub mniej	1,5 m/s ²
DFR453		
DFR551		
DFR552		

WSKAZÓWKA: Deklarowana wartość poziomu drgań została zmierzona zgodnie ze standardową metodą testową i można ją wykorzystać do porównania narzędzi.

WSKAZÓWKA: Deklarowaną wartość poziomu drgań można także wykorzystać we wstępnej ocenie narażenia.

⚠️ OSTRZEŻENIE: Drgania wytwarzane podczas rzeczywistego użytkowania elektronarzędzia mogą się różnić od wartości deklarowanej w zależności od sposobu użytkowania narzędzia, a w szczególności od rodzaju obrabianego elementu.

⚠️ OSTRZEŻENIE: W oparciu o szacowane narażenie w rzeczywistych warunkach użytkowania należy określić środki bezpieczeństwa w celu zapewnienia ochrony operatora (uwzględniając wszystkie elementy cyklu działania, tj. czas, kiedy narzędzie jest wyłączone i kiedy pracuje na biegu jałowym, a także czas, kiedy jest włączone).

Deklaracje zgodności

Dotyczy tylko krajów europejskich

Deklaracje zgodności są dołączone jako załącznik A do niniejszej instrukcji obsługi.

OSTRZEŻENIA DOTYCZĄCE BEZPIECZEŃSTWA

Ogólne zasady bezpiecznej eksploatacji elektronarzędzi

⚠️ OSTRZEŻENIE Należy zapoznać się z wszystkimi ostrzeżeniami dotyczącymi bezpieczeństwa, instrukcjami, ilustracjami i danymi technicznymi dołączonymi do tego elektronarzędzia. Niezastosowanie się do wszystkich podanych poniżej instrukcji może prowadzić do porażenia prądem elektrycznym, pożaru i/lub poważnych obrażeń ciała.

Wszystkie ostrzeżenia i instrukcje należy zachować do wykorzystania w przyszłości.

Pojęcie „elektonarzędzie”, występujące w wymienionych tu ostrzeżeniach, odnosi się do elektronarzędzia zasilanego z sieci elektrycznej (z przewodem zasilającym) lub do elektronarzędzia akumulatorowego (bez przewodu zasilającego).

Ostrzeżenia dotyczące bezpieczeństwa dla wkrętarki bezprzewodowej

1. **Trzymać elektronarzędzie za izolowane powierzchnie rękojeści podczas wykonywania prac, przy których element złączny może dotknąć niewidocznej instalacji elektrycznej.** Zetknięcie elementów złącznych z przewodem elektrycznym znajdującym się pod napięciem spowoduje, że odsłonięte elementy metalowe narzędzia również znajdują się pod napięciem, grożąc porażeniem operatora prądem elektrycznym.
2. **Podczas pracy należy zadbać o stabilne oparcie dla nóg.** W przypadku pracy na wysokości upewnić się, że na dole nie przebywają żadne osoby.
3. **Narzędzie należy trzymać mocno i pewnie.**
4. **Trzymać ręce z dala od części obrotowych.**
5. **Nie dotykać wiertła ani części obrabianej od razu po zakończeniu danej operacji; mogą one być bardzo gorące i spowodować oparzenie skóry.**
6. **Element obrabiany należy zawsze mocować w imadle lub podobnym uchwycie.**
7. **Należy się upewnić, że w obszarze pracy nie ma żadnych przewodów elektrycznych, rur instalacji wodnej, rur z gazem itp., które mogłyby stanowić zagrożenie po uszkodzeniu przez narzędzie.**

ZACHOWAĆ NINIEJSZE INSTRUKCJE.

⚠️ OSTRZEŻENIE: NIE WOLNO pozwolić, aby wygoda lub rutyna (nabyta w wyniku wielokrotnego używania urządzenia) zastąpiły ścisłe przestrzeganie zasad bezpieczeństwa obsługi.

NIEWŁAŚCIWE UŻYTKOWANIE narzędzia lub niestosowanie się do zasad bezpieczeństwa podanych w niniejszej instrukcji obsługi może prowadzić do poważnych obrażeń ciała.

Ważne zasady bezpieczeństwa dotyczące akumulatora

1. **Przed użyciem akumulatora zapoznać się ze wszystkimi instrukcjami i znakami ostrzegawczymi na (1) ładowarce, (2) akumulatorze i (3) produkcie, w którym będzie używany akumulator.**
2. **Nie rozmontowywać ani modyfikować akumulatora.** Może to spowodować pożar, przegrzanie lub wybuch.
3. **Jeśli czas działania uległ znacznemu skróceniu, należy natychmiast przerwać pracę.** Może bowiem dojść do przegrzania, ewentualnych poparzeń, a nawet eksplozji.
4. **W przypadku przedostania się elektrolitu do oczu, przemyć je czystą wodą i niezwłocznie uzyskać pomoc lekarską.** Może on bowiem spowodować utratę wzroku.

5. **Nie doprowadzać do zwarcia akumulatora:**
 - (1) **Nie dotykać styków materiałami przewodzącymi prąd.**
 - (2) **Unikać przechowywania akumulatora w pojemniku z metalowymi przedmiotami, takimi jak gwoździe, monety itp.**
 - (3) **Chronić akumulator przed deszczem lub wodą.**

Zwarcie prowadzi do przepływu prądu elektrycznego o dużym natężeniu i przegrzania akumulatora, co w konsekwencji może grozić poparzeniami a nawet awarią urządzenia.
6. **Narzędzia i akumulatora nie wolno przechowywać ani używać w miejscach, w których temperatura osiąga bądź przekracza 50°C (122°F).**
7. **Akumulatorów nie wolno spalać, również tych poważnie uszkodzonych lub całkowicie zużytych. Akumulator może eksplodować w ogniu.**
8. **Nie należy przecinać ani zgniatać akumulatora, wbijać w niego gwoździ, rzucać nim, upuszczać, ani uderzać akumulatorem o twarde objekty. Takie działanie może spowodować pożar, przegrzanie lub wybuch.**
9. **Nie wolno używać uszkodzonego akumulatora.**
10. **Stanowiące wyposażenie akumulatory litowo-jonowe podlegają przepisom dotyczącym produktów niebezpiecznych.**

Na potrzeby transportu komercyjnego, np. świadczonych przez firmy trzecie czy spedycyjne, należy przestrzegać specjalnych wymagań w zakresie pakowania i oznaczania etykietami.

Przygotowanie produktu do wysyłki wymaga skonsultowania się ze specjalistą ds. materiałów niebezpiecznych. Należy także przestrzegać przepisów krajowych, które mogą być bardziej szczegółowe.

Zakleić taśmą lub zaślepić otwarte styki akumulatora oraz zabezpieczyć go, aby nie mógł się przesunąć w opakowaniu.

11. **Jeśli zajdzie konieczność utylizacji akumulatora, należy wyjąć go z narzędzia i przekazać w bezpieczne miejsce. Postępować zgodnie z przepisami lokalnymi dotyczącymi utylizacji akumulatorów.**
12. **Używać akumulatorów tylko z produktami określonymi przez firmę Makita. Zastosowanie akumulatorów w niezgodnych produktach może spowodować pożar, przegrzanie, wybuch lub wyciek elektrolitu.**
13. **Jeśli narzędzie nie będzie używane przez dłuższy czas, należy wyjąć z niego akumulator.**
14. **Przed użyciem akumulatora i po jego użyciu akumulator może pozostawać nagrany, co może spowodować poparzenia lub poparzenia w niskiej temperaturze. Z gorącym akumulatorem należy obchodzić się ostrożnie.**
15. **Nie należy dotykać styku narzędzia bezpośrednio po jego użyciu, ponieważ może on być na tyle gorący, że spowoduje oparzenia.**

16. **Nie należy dopuszczać, aby wióry, kurz lub brud gromadziły się na stykach, w otworach i rowkach akumulatora. Może to doprowadzić do przegrzania, pożaru, wybuchu lub uszkodzenia narzędzia lub akumulatora, co może spowodować oparzenia lub obrażenia ciała.**
17. **Jeśli narzędzie nie jest przeznaczone do użytku w pobliżu linii wysokiego napięcia, nie należy korzystać z akumulatora w ich sąsiedztwie. Może to spowodować nieprawidłowości w działaniu lub uszkodzenie narzędzia lub akumulatora.**
18. **Przechowywać akumulator w miejscu niedostępnym dla dzieci.**

ZACHOWAĆ NINIEJSZE INSTRUKCJE.

▲PRZESTROGA: Używać wyłącznie oryginalnych akumulatorów firmy Makita. Używanie nieoryginalnych akumulatorów firm innych niż Makita lub akumulatorów, które zostały zmodyfikowane, może spowodować wybuch akumulatora i pożar, obrażenia ciała oraz zniszczenie mienia. Stanowi to również naruszenie warunków gwarancji firmy Makita dotyczących narzędzia i ładowarki.

Wskazówki dotyczące zachowania maksymalnej trwałości akumulatora

1. **Akumulator należy naładować zanim zostanie do końca rozładowany. Po zauważeniu spadku mocy narzędzia należy przerwać pracę i naładować akumulator.**
2. **Nie wolno ładować powtórnie w pełni naładowanego akumulatora. Przeładowanie akumulatora skracają jego trwałość.**
3. **Akumulator należy ładować w temperaturze pokojowej w przedziale 10–40°C (50–104°F). W przypadku gorącego akumulatora przed przystąpieniem do ładowania należy poczekać, aż ostygnie.**
4. **Jeśli akumulator nie jest używany, należy go wyjąć z narzędzia lub ładowarki.**
5. **Akumulatory niklowo-wodorkowe należy naładować po okresie długiego nieużytkowania (dłuższego niż sześć miesięcy).**

OPIS DZIAŁANIA

▲PRZESTROGA: Przed przystąpieniem do regulacji lub przeglądu narzędzia upewnić się, że jest ono wyłączone, a akumulator został wyjęty.

Wkładanie i wyjmowanie akumulatora

▲PRZESTROGA: Przed włożeniem lub wyjęciem akumulatora należy zawsze wyłączyć narzędzie.

▲PRZESTROGA: Podczas wkładania lub wyjmowania akumulatora należy mocno trzymać narzędzie i akumulator. W przeciwnym razie mogą się one wyslizgnąć z rąk, powodując uszkodzenie narzędzia lub akumulatora i obrażenia ciała.

Aby włożyć akumulator, wyrównać występ na akumulatorze z rowkiem w obudowie i wsunąć go na swoje miejsce. Akumulator należy wsunąć do oporu, aż się zatrzaśnie na miejscu, co jest sygnalizowane delikatnym kliknięciem. Jeśli jest widoczny czerwony wskaźnik pokazany na rysunku, akumulator nie został całkowicie zablokowany.

Aby wyjąć akumulator, przesuń przycisk znajdujący się w przedniej jego części i wysuń akumulator.

► **Rys.1:** 1. Czerwony wskaźnik 2. Przycisk
3. Akumulator

▲PRZESTROGA: Akumulator należy włożyć do końca, tak aby czerwony wskaźnik nie był widoczny. W przeciwnym razie może przypadkowo wypaść z narzędzia, powodując obrażenia operatora lub osób postronnych.

▲PRZESTROGA: Nie wkładać akumulatora na siłę. Jeśli akumulator nie daje się swobodnie wsunąć, oznacza to, że został włożony nieprawidłowo.

Układ zabezpieczenia narzędzia/akumulatora

Narzędzie jest wyposażone w układ zabezpieczenia narzędzia/akumulatora. Układ automatycznie odcina zasilanie silnika w celu wydłużenia trwałości narzędzia i akumulatora. Narzędzie zostanie automatycznie zatrzymane podczas pracy w następujących sytuacjach związanych z narzędziem lub akumulatorem:

Zabezpieczenie przed przeciążeniem

W przypadku użytkowania narzędzia/akumulatora w sposób powodujący nadmierne wysokie pobór prądu narzędzie zostanie automatycznie zatrzymane. W takiej sytuacji należy wyłączyć narzędzie i zaprzestać wykonywania czynności powodującej przeciążenie narzędzia. Następnie należy włączyć narzędzie w celu jego ponownego uruchomienia.

Zabezpieczenie przed przegrzaniem

W przypadku przegrzania narzędzia/akumulatora narzędzie wyłączy się automatycznie. W takiej sytuacji należy odczekać, aż narzędzie/akumulator ostygnie przed ponownym włączeniem narzędzia.

Zabezpieczenie przed nadmiernym rozładowaniem

Gdy stan naładowania akumulatora stanie się zbyt niski, narzędzie zostanie automatycznie zatrzymane. W takiej sytuacji należy wyjąć akumulator z narzędzia i naładować go.

Inne zabezpieczenia

Układ zabezpieczający jest przeznaczony do ochrony przed innymi przyczynami, które mogą doprowadzić do uszkodzenia narzędzia i umożliwia automatyczne zatrzymanie narzędzia. Należy wykonać poniższe kroki, aby usunąć przyczyny tymczasowego wstrzymania lub zatrzymania pracy narzędzia.

1. Wyłączyć narzędzie, a następnie włączyć je ponownie w celu zrestartowania.
2. Naładować akumulatory lub zastąpić je (lub jeden z nich) naładowanymi akumulatorami.
3. Pozostawić narzędzie i akumulator (akumulatory) do ostygnięcia.

Jeśli przywrócenie działania układu zabezpieczającego nie przynosi pozytywnych efektów, należy skontaktować się z centrum serwisowym Makita.

Wskaźnik alarmu

Lampka wskaźnika na przełączniku trybu uruchamiania przez nacisk wskazuje alarm (migające czerwone światła), kiedy narzędzie działa w następujących warunkach.

► **Rys.2:** 1. Lampka wskaźnika

Status lampki	Przyczyny	Rozwiązania
Szybkie miganie (z częstotliwością co około jedną trzecią sekundy)	Niski stan naładowania akumulatora	Naładować akumulator, kiedy tylko będzie to możliwe.
Zwolnione miganie (z częstotliwością co około sekundę)	Przegrzanie	Przed ponownym włączeniem narzędzia należy poczekać, aż ostygnie.

WSKAZÓWKA: Alarm całkowitego rozładowania może wystąpić w zależności od stanu akumulatora i warunków pracy.

Wskazanie stanu naładowania akumulatora

Tylko w przypadku akumulatorów ze wskaźnikiem

Nacisnąć przycisk kontrolny na akumulatorze w celu wyświetlenia stanu naładowania akumulatora. Lampki wskaźnika zaświecą się przez kilka sekund.

► **Rys.3:** 1. Lampki wskaźnika 2. Przycisk kontrolny

Lampki wskaźnika			Pozostała energia akumulatora
Świeci się	Wyłączony	Miga	
			75–100%
			50–75%
			25–50%
			0–25%
			Naładować akumulator.
			Akumulator może nie działać poprawnie.

WSKAZÓWKA: Zależnie od warunków użytkowania i temperatury otoczenia, wskazywany poziom może nieznacznie się różnić od rzeczywistego stanu naładowania akumulatora.

WSKAZÓWKA: Pierwsza (skrajnie po lewej stronie) lampka wskaźnika miga, gdy układ zabezpieczenia akumulatora jest aktywny.

Ustawienie odpowiedniej długości wkrętów

Dotyczy modelu DFR452 / DFR453

Narzędzie zapewnia 4 ustawienia długości wkrętów z wymuszoną blokadą. Należy przesunąć podstawę oporową do środka i na zewnątrz, jednocześnie naciskając dźwignię na górnej powierzchni podstawy oporowej, tak aby numer odpowiedniej długości wkrętu (wskazany na etykiecie) był widoczny w okienku odczytu. W poniższej tabeli przedstawiono szczegółowe informacje o numerach przypisanych do odpowiednich długości wkrętów.

► **Rys.4:** 1. Podstawa oporowa 2. Dźwignia 3. Płytką 4. Obudowa

Numerы wskazane na etykiecie	Zakresy długości wkrętów
20	20 mm (13/16")
25	25 mm - 28 mm (1" - 1-1/8")
32	28 mm - 35 mm (1-1/8" - 1-3/8")
41	35 mm - 41 mm (1-3/8" - 1-5/8")

Dotyczy modelu DFR551 / DFR552

Narzędzie zapewnia 7 ustawień długości wkrętów z wymuszoną blokadą. Należy przesunąć podstawę oporową do środka i na zewnątrz, jednocześnie naciskając dźwignię na górnej powierzchni podstawy oporowej, tak aby numer odpowiedniej długości wkrętu (wskazany na etykiecie) był widoczny w okienku odczytu. W poniższej tabeli przedstawiono szczegółowe informacje o numerach przypisanych do odpowiednich długości wkrętów.

► **Rys.5:** 1. Podstawa oporowa 2. Dźwignia 3. Płytką 4. Obudowa

Numerы wskazane na etykiecie	Zakresy długości wkrętów
25	25 mm (1")
30	25 mm - 30 mm (1" - 1-3/16")
35	30 mm - 35 mm (1-3/16" - 1-3/8")
40	35 mm - 40 mm (1-3/8" - 1-9/16")
45	40 mm - 45 mm (1-9/16" - 1-3/4")
50	45 mm - 50 mm (1-3/4" - 2")
55	50 mm - 55 mm (2" - 2-3/16")

Regulacja głębokości wkręcania

Należy nacisnąć przednią powierzchnię podstawy oporowej i docisnąć ramkę podajnika do obudowy do samego końca. Utrzymując takie położenie, należy przekręcić pokrętko regulacji, tak aby końcówka wkrętkowa wystawała na około 6 mm z przodu podstawy oporowej.

Wkręcić wkręt testowy. Jeśli łeb wkrętu wystaje poza powierzchnię obrabianego elementu, należy przekręcić pokrętko regulacji w kierunku A; jeśli łeb wkrętu nadal znajduje się poniżej powierzchni, należy przekręcić pokrętko regulacji w kierunku B.

► **Rys.6:** 1. Ok. 6 mm 2. Podstawa oporowa 3. Ramka podajnika 4. Obudowa 5. Pokrętko regulacyjne

Włączanie

⚠️ OSTRZEŻENIE: Przed włożeniem akumulatora do narzędzia należy zawsze sprawdzić, czy spust przełącznika działa prawidłowo i czy powraca do położenia wyłączenia po jego zwolnieniu.

Aby uruchomić narzędzie, należy pociągnąć spust przełącznika. Prędkość narzędzia zwiększa się wraz ze zwiększaniem nacisku na spust przełącznika. W celu zatrzymania urządzenia zwolnić spust przełącznika. Aby włączyć tryb pracy ciągłej, należy pociągnąć spust przełącznika, wcisnąć przycisk blokady, a następnie zwolnić spust. Aby zatrzymać narzędzie w położeniu zablokowania, wystarczy pociągnąć do oporu spust przełącznika, a następnie zwolnić go.

► **Rys.7:** 1. Spust przełącznika 2. Przycisk blokady

Włączanie obrotów wstecznych

⚠ PRZESTROGA: Przed przystąpieniem do pracy należy zawsze sprawdzić ustawiony kierunek obrotów.

⚠ PRZESTROGA: Przełącznika zmiany kierunku obrotów można użyć tylko po całkowitym zatrzymaniu narzędzia. Zmiana kierunku obrotów przed zatrzymaniem się narzędzia grozi jego uszkodzeniem.

⚠ PRZESTROGA: Gdy narzędzie nie jest używane, należy zawsze ustawić dźwignię przełącznika zmiany kierunku obrotów w położeniu neutralnym.

Omnawiane narzędzie jest wyposażone w przełącznik umożliwiający zmianę kierunku obrotów. W celu użycia obrotów w prawą stronę należy wcisnąć dźwignię przełącznika zmiany kierunku obrotów po stronie A, natomiast aby uzyskać obroty w lewą stronę, należy wcisnąć dźwignię przełącznika po stronie B.

Gdy dźwignia przełącznika zmiany kierunku obrotów znajduje się w położeniu neutralnym, spust przełącznika jest zablokowany.

► **Rys.8:** 1. Dźwignia przełącznika obrotów wstecznych

Tryb uruchamiania przez nacisk

W trybie uruchamiania przez nacisk końcówka wkrętakowa obraca się po przyłożeniu nacisku do powierzchni wkręcania za pomocą podstawy oporowej, umożliwiając narzędziu odcięcie zasilania silnika w celu zaoszczędzenia energii na biegu jałowym.

Aby włączyć tryb uruchamiania przez nacisk, należy pociągnąć lekko spust przełącznika, a następnie zwolnić go i szybko nacisnąć przycisk wyboru trybu. Lampka wskaźnika na przełączniku trybu uruchamiania przez nacisk włączy się.

► **Rys.9:** 1. Przycisk wyboru trybu 2. Lampka wskaźnika

WSKAZÓWKA: Tryb uruchamiania przez nacisk zostanie automatycznie dezaktywowany po ośmiu godzinach, jeśli spust przełącznika jest zablokowany i jego położenie nie było zmieniane. Aby ponownie uruchomić narzędzie, należy do końca pociągnąć za spust przełącznika, aby zwolnić przycisk blokady, a następnie pociągnąć za spust ponownie.

Funkcja zapobiegająca przypadkowemu uruchomieniu

Nawet jeśli akumulator zostanie włożony do narzędzia przy pociągniętym spuście przełącznika, narzędzie nie uruchomi się.

Aby uruchomić narzędzie, najpierw należy zwolnić spust przełącznika, a następnie pociągnąć za niego.

MONTAŻ

⚠ PRZESTROGA: Przed przystąpieniem do prac konserwacyjnych przy narzędziu upewnić się, że jest ono wyłączone, a akumulator został wyjęty.

Wkładanie i wyjmowanie końcówki wkrętakowej

⚠ PRZESTROGA: Należy zachować ostrożność, aby nie dotknąć ostrych krawędzi wkrętów podczas ponownego montażu akcesoriów i przystawek.

⚠ PRZESTROGA: Z akcesoriami i przystawkami należy obchodzić się ostrożnie. Podczas montażu i demontażu należy zawsze mocno trzymać akcesoria i przystawki. W przeciwnym razie akcesoria i przystawki mogą wyszłizgnąć się z rąk i spaść.

⚠ PRZESTROGA: Podczas montażu i demontażu przystawek należy trzymać obudowę.

⚠ PRZESTROGA: Przed wymianą końcówki należy zawsze wyłączyć i wyjąć akumulator.

Wkładanie końcówki wkrętakowej

1. Aby założyć końcówkę wkrętakową, należy włożyć ją do otworu wrzeczona do końca, jednocześnie przytrzymując wrzeczono i wciskając je do obudowy przekładni. Następnie należy zwolnić wrzeczono, aby zamocować w nim końcówkę wkrętakową.

► **Rys.10:** 1. Końcówka wkrętakowa 2. Wrzeczono 3. Obudowa przekładni

2. Wcisnąć obudowę do obudowy przekładni, mocno przytrzymując korpus, do momentu aż przyciski zwalniające po obu stronach obudowy zablokują się na swoim miejscu i słyszalne będzie kliknięcie.

► **Rys.11:** 1. Obudowa 2. Przyciski zwalniające

Wyjmowanie końcówki wkrętakowej

1. Należy nacisnąć i przytrzymać przyciski zwalniające po obu stronach obudowy, a następnie pociągnąć za obudowę.

► **Rys.12:** 1. Przyciski zwalniające 2. Obudowa

2. Aby usunąć końcówkę wkrętakową, należy ją wyciągnąć, jednocześnie przytrzymując ją za wrzeczono i wciskając je do obudowy przekładni.

► **Rys.13:** 1. Końcówka wkrętakowa 2. Wrzeczono 3. Obudowa przekładni

Wkładanie taśmy z wkrętami

⚠ PRZESTROGA: Przed obcięciem taśmy z wkrętami należy zawsze wyłączyć i wyjąć akumulator.

Przełożył taśmę z wkrętami przez prowadnicę wkrętów. Następnie wsunął ją do ramki podajnika, aż pierwszy wkręt znajdzie się w pozycji sąsiadującej z pozycją wkręcania.

► **Rys.14:** 1. Taśma z wkrętami 2. Prowadnica taśmy z wkrętami 3. Obudowa 4. Prowadnica wkrętów 5. Ramka podajnika

UWAGA: Należy pamiętać, aby ustawić pierwszy wkręt w drugim wierszu obok pozycji wkręcania.

► **Rys.15:** 1. Pierwszy wkręt 2. Pozycja wkręcania

Wyciąganie taśmy z wrętami

▲ PRZESTROGA: Przed zdjęciem przystawki należy zawsze wyjąć taśmę z wrętami.

Aby usunąć taśmę w wrętami, należy pociągnąć ją do góry, wyciągając z ramki podajnika.

► **Rys.16**

Taśmę z wrętami można pociągnąć w dół, aby wyjąć ją z ramki podajnika, naciskając przycisk zwalnający na ramce.

► **Rys.17:** 1. Przycisk zmiany kierunku 2. Ramka podajnika

Zamontowanie zaczepu

▲ OSTRZEŻENIE: Części do wieszania/części mocujących należy używać tylko zgodnie z ich przeznaczeniem, np. wieszac narzędzie na pasku na narzędzia pomiędzy zadaniami lub przerwami w pracy.

▲ OSTRZEŻENIE: Należy zachować ostrożność, aby nie doszło do przeciążenia zaczepu, ponieważ zbyt duża siła lub nierównomierne rozmieszczenie może spowodować uszkodzenia narzędzia, prowadzące do obrażeń ciała.

▲ PRZESTROGA: Podczas instalacji zaczepu należy go zawsze mocno zamocować śrubą. Jeśli to wymaganie nie zostanie spełnione, zaczep może się odłączyć od narzędzia i spowodować obrażenia ciała.

▲ PRZESTROGA: Przed zwolnieniem chwytu narzędzia należy upewnić się, czy zostało zawieszane w sposób pewny. Nieodpowiednie lub nierównomierne zawieszenie może doprowadzić do upadku i obrażeń.

► **Rys.18:** 1. Rowek 2. Zaczep 3. Wręć

Zaczep służy do wygodnego, tymczasowego zawieszania narzędzia. Można go zamontować z jednej lub z drugiej strony narzędzia. Aby zamontować zaczep, należy wsunąć go w rowek w obudowie narzędzia znajdujący się z obu stron, a następnie przykręcić go wrętami. Aby wymontować zaczep, należy odkręcić wręć i wyjąć zaczep.

Korzystanie z otworu

▲ OSTRZEŻENIE: Nigdy nie używać otworu do zawieszania niezgodnie z przeznaczeniem, np. do przywiązywania narzędzia na wysokościach. Naprężenie silnie obciążonego otworu do zawieszania może spowodować uszkodzenie otworu, a w konsekwencji obrażenia ciała u operatora lub osób znajdujących się w jego pobliżu lub pod nim.

Otworu do zawieszania znajdującego się w tylnej dolnej części narzędzia można używać do wieszania narzędzia na ścianie za pomocą linki do zawieszania lub podobnych sznurków.

► **Rys.19:** 1. Otwór do zawieszania

DZIAŁANIE

Operacja wręcania

UWAGA: Zawsze należy dokładnie sprawdzić końcówkę wrętkową przed rozpoczęciem wręcania. Zużyta końcówkę wrętkową należy wymienić, w przeciwnym razie dokręcanie może być niedokładne.

UWAGA: Narzędzie należy zawsze przytrzymywać prostopadle do powierzchni wręcania. Przytrzymywanie pod kątem może spowodować uszkodzenie łbów wrętów i zużycie końcówki wrętkowej. Może to również doprowadzić do niedokładnego dokręcania.

UWAGA: Zawsze należy dociskać narzędzie mocno do powierzchni wręcania, do czasu zakończenia wręcania. W przeciwnym razie wręcanie może być niedokładne.

UWAGA: Należy zachować ostrożność, aby nie wręcać wrętu w inny już wręcony.

UWAGA: Nie należy używać narzędzia bez wrętów. Spowoduje to uszkodzenie powierzchni wręcania.

UWAGA: Nie nakładać oleju ani smaru na powierzchnię ślizgową ramki podajnika.

Uruchomić narzędzie, ciągnąc za język spustowy przełącznika. Narzędzie należy trzymać prosto, dociskając je mocno do powierzchni materiału. Wręć zostanie automatycznie przesunięty na pozycję wręcania i osadzony.

► **Rys.20**

Wręcanie w trybie uruchamiania przez nacisk

1. Pociągnąć delikatnie za spust przełącznika i zwolnić go. Następnie szybko nacisnąć przycisk wyboru trybu.

Lampka wskaźnika na przełączniku trybu uruchamiania przez nacisk zaświeci się i tryb uruchamiania przez nacisk zostanie aktywowany.

► **Rys.21:** 1. Przycisk wyboru trybu 2. Lampka wskaźnika

2. Nacisnąć przycisk blokady, jednocześnie ciągnąc za spust przełącznika, a następnie zwolnić spust przełącznika.

► **Rys.22:** 1. Przycisk blokady 2. Spust przełącznika

WSKAZÓWK: Podczas wybierania trybu uruchamiania przez nacisk i włączania blokady spustu silnik nie obraca się bez obciążenia, aby zminimalizować pobór mocy.

3. Przytrzymać narzędzie prostopadle do powierzchni wręcania i przesuwać narzędzie do przodu.

Wręć zostanie automatycznie ustawiony w pozycji wręcania i wręcony z pełną prędkością.

► **Rys.23**

Wkręcanie w narożniku

⚠ PRZESTROGA: Wkręcanie w miejscu położonym bliżej niż 15 mm od ściany lub wkręcanie, kiedy podstawa oporowa styka się ze ścianą, może doprowadzić do uszkodzenia łbów wkrętów i zużycia końcówki wkrętakowej. Może to również doprowadzić do niedokładnego dokręcenia wkrętów i uszkodzenia narzędzia.

Narzędzia można używać do wkręcania w miejscu oddalonym o 15 mm od ściany, jak pokazano na rysunku.

► **Rys.24:** 1. Ściana 2. Podstawa oporowa 3. 15 mm

Odkręcanie

⚠ PRZESTROGA: Przed przystąpieniem do pracy należy zawsze sprawdzić ustawiony kierunek obrotów.

⚠ PRZESTROGA: Przełącznika zmiany kierunku obrotów można użyć tylko po całkowitym zatrzymaniu narzędzia. Zmiana kierunku obrotów przed zatrzymaniem się narzędzia grozi jego uszkodzeniem.

Narzędzie umożliwia zmianę kierunku obrotów końcówki wkrętakowej na obroty w prawo (zgodnie z ruchem wskazówek zegara) w celu dokręcenia wkrętu na obroty w lewo (przeciwie do ruchu wskazówek zegara) w celu poluzowania wkrętu.

1. Należy nacisnąć dźwignię przełącznika obrotów wstecznych od strony B, aby ustawić obroty przeciwie do ruchu wskazówek zegara.

► **Rys.25:** 1. Dźwignia przełącznika obrotów wstecznych

2. Należy nacisnąć i przytrzymać przyciski zwalnające po obu stronach obudowy, a następnie pociągnąć za obudowę.

► **Rys.26:** 1. Przyciski zwalnające 2. Obudowa

3. Umieścić końcówkę wkrętakową w łbie wkrętu do poluzowania.

4. Docisnąć narzędzie do wkrętu i nacisnąć spust przełącznika, aby rozpocząć.

► **Rys.27:** 1. Końcówka wkrętakowa 2. Łeb śruby 3. Spust przełącznika

5. Po zakończeniu pracy włożyć obudowę z powrotem do obudowy przekładni aż do zablokowania.

KONSERWACJA

⚠ PRZESTROGA: Przed przystąpieniem do przeglądu narzędzia lub jego konserwacji upewnić się, że jest ono wyłączone, a akumulator wyjęty.

UWAGA: Nie stosować benzyny, rozpuszczalników, alkoholu itp. środków. Mogą one powodować odbarwienia, odkształcenia lub pęknięcia.

W celu zachowania odpowiedniego poziomu BEZPIECZENSTWA i NIEZAWODNOŚCI produktu wszelkie naprawy i różnego rodzaju prace konserwacyjne lub regulacje powinny być przeprowadzane przez autoryzowany lub fabryczny punkt serwisowy narzędzi Makita, zawsze z użyciem oryginalnych części zamiennych Makita.

Po zakończeniu pracy

Systematycznie wycierać narzędzie suchą ściereczką lub ściereczką lekko zwilżoną wodą z mydłem.

AKCESORIA OPCJONALNE

⚠ PRZESTROGA: Zaleca się stosowanie wymienionych akcesoriów i przystawek razem z narzędziem Makita opisanym w niniejszej instrukcji. Stosowanie innych akcesoriów lub przystawek może być przyczyną obrażeń ciała. Akcesoria lub przystawki należy wykorzystywać tylko zgodnie z ich przeznaczeniem.

W razie potrzeby wszelkiej pomocy i szczegółowych informacji na temat niniejszych akcesoriów udzieli Państwu lokalne punkty serwisowe Makita.

- Taśmy z wkrętami do montażu płyt kartonowo-gipsowych
- Końcówka krzyżowa
- Końcówka kwadratowa
- Końcówka sześciokątna
- Obudowa
- Oryginalny akumulator i ładowarka firmy Makita

WSKAZÓWKI: Niektóre pozycje znajdujące się na liście mogą być dołączone do pakietu narzędziowego jako akcesoria standardowe. Mogą to być różne pozycje, w zależności od kraju.

RÉSZLETES LEÍRÁS

Típus:	DFR452	DFR453	DFR551	DFR552
Csavarszalag	ø3,5 mm x 20 mm - ø4,2 mm x 41 mm		ø3,5 mm x 25 mm - ø4,2 mm x 55 mm	
Üresjárat fordulatszám	0 - 6 000 min ⁻¹	0 - 4 500 min ⁻¹	0 - 6 000 min ⁻¹	0 - 4 500 min ⁻¹
Teljes hossz	360 mm		396 mm	
Névleges feszültség	18 V, egyenáram			
Nettó tömeg	1,9 - 2,2 kg			

- Folyamatos kutató- és fejlesztőprogramunk eredményeként az itt felsorolt tulajdonságok figyelmeztetés nélkül megváltozhatnak.
- A tulajdonságok országról országra különbözhetnek.
- A súly a felszerelt tartozékoktól függően változhat, az akkumulátort is beleértve. Az EPTA 01/2014 eljárás szerint meghatározott legnehezebb, illetve legkönnyebb kombináció a táblázatban látható.

Alkalmazható akkumulátorok és töltők

Akkumulátor	BL1815N / BL1820B / BL1830B / BL1840B / BL1850B / BL1860B
Töltő	DC18RC / DC18RD / DC18RE / DC18SD / DC18SE / DC18SF / DC18SH / DC18WC

- Lakóhelyétől függően előfordulhat, hogy a fent felsorolt akkumulátorok és töltők nem érhetőek el.

▲ FIGYELMEZTETÉS: Csak a fentiekben felsorolt akkumulátorokat és töltőket használja. Bármilyen más akkumulátor vagy töltő használata sérüléseket és/vagy tüzet okozhat.

Rendeltetés

A szerszám csavarbehajtásra használható, fába, fémekbe és műanyagokba.

Zaj

A tipikus A-súlyozású zajszint, a EN62841-2-2 szerint meghatározva:

Típus	Hangnyomósszint (L _{PA}): (dB(A))	Bizonytalanság (K): (dB(A))
DFR452	78	3
DFR453	79	3
DFR551	77	3
DFR552	78	3

A zajszint a munkavégzés során meghaladhatja a 80 dB (A) értéket.

MEGJEGYZÉS: A zajkibocsátás értéke a szabványos vizsgálati eljárásnak megfelelően lett mérve, és segítségével az elektromos kéziszerszámok összehasonlíthatók egymással.

MEGJEGYZÉS: A zajkibocsátás értékének segítségével előzetesen megbecsülhető a rezgésnek való kitettség mértéke.

▲ FIGYELMEZTETÉS: Viseljen fülvédőt!

▲ FIGYELMEZTETÉS: A szerszám zajkibocsátása egy adott alkalmazásnál eltérhet a megadott értéktől a használat módjától, különösen a feldolgozott munkadarab fajtájától függően.

▲ FIGYELMEZTETÉS: Határozza meg a kezelő védelmét szolgáló munkavédelmi lépéseket, melyek az adott munkafeltételek melletti vibrációs hatás becsült mértékén alapulnak (figyelembe véve a munkaciklus elemeit, mint például a gép leállításának és üresjáratának mennyiségét az elindítások száma mellett).

Vibráció

A vibráció teljes értéke (háromtengelyű vektorösszeg) az EN62841-2-2 szerint meghatározva:

Üzemmód: felületcsiszolás normál oldalmarkolattal

Típus	Rezgéskibocsátás (a _h): (m/s ²)	Bizonytalanság (K): (m/s ²)
DFR452	2,5 m/s ² vagy kisebb	1,5 m/s ²
DFR453		
DFR551		
DFR552		

MEGJEGYZÉS: A rezgés teljes értéke a szabványos vizsgálati eljárásnak megfelelően lett mérve, és segítségével az elektromos kéziszerszámok összehasonlíthatók egymással.

MEGJEGYZÉS: A rezgés teljes értékének segítségével előzetesen megbecsülhető a rezgésnek való kitettség mértéke.

▲ FIGYELMEZTETÉS: A szerszám rezgés kibocsátása egy adott alkalmazásnál elérheti a megadott értéktől a használat módjától, különösen a feldolgozott munkadarab fajtájától függően.

▲ FIGYELMEZTETÉS: Határozza meg a kezelő védelmét szolgáló munkavédelmi lépéseket, melyek az adott munkafeladatok melletti vibrációs hatás becsült mértékén alapulnak (figyelembe véve a munkaciklus elemeit, mint például a gép leállításának és üresjáratának mennyiségét az elindítások száma mellett).

Megfelelőségi nyilatkozatok

Csak európai országokra vonatkozóan

A megfelelőségi nyilatkozatok a jelen használati kézikönyv „A” mellékletében található.

BIZTONSÁGI FIGYELMEZTETÉS

A szerszámgépekre vonatkozó általános biztonsági figyelmeztetések

▲ FIGYELMEZTETÉS Olvassa el a szerszámgéphez mellékelt összes biztonsági figyelmeztetést, utasítást, illusztrációt és a műszaki adatokat. A következőkben leírt utasítások figyelmen kívül hagyása elektromos áramütést, tüzet és/vagy súlyos sérülést eredményezhet.

Őrizzen meg minden figyelmeztetést és utasítást a későbbi tájékozódás érdekében.

A figyelmeztetésekben szereplő "szerszámgép" kifejezés az Ön hálózatról (vezetékes) vagy akkumulátorról (vezeték nélküli) működtetett szerszámgépére vonatkozik.

Az akkumulátoros csavarbehajtóra vonatkozó biztonsági figyelmeztetések

1. **Tartsa az elektromos szerszámot a szigetelt markolófelületeinél fogva, amikor olyan műveletet végez, melynek során fennáll a veszélye, hogy a rögzítő rejtett vezetékbe ütközhet.** A rögzítők áram alatt lévő vezetékkel való érintkezésekor a szerszám fém alkatrészei is áram alá kerülnek, és megrázhathatják a kezelőt.
2. **Mindig stabil helyzetben dolgozzon. A szerszám magasban történő használatkor győződjön meg arról, hogy nem tartózkodik-e valaki odalent.**
3. **Tartsa stabilan a szerszámot.**
4. **Ne nyúljon a forgó részekhez.**
5. **Ne érjen a szerszámhoz vagy a munkadarabhoz közvetlenül a munkavégzést követően; azok rendkívül forrók lehetnek és megégethetik a bőrt.**

6. **A munkadarabokat mindig rögzítse satuban, vagy más hasonló befogó eszközzel.**
7. **Ellenőrizze, hogy vannak-e sérülés esetén veszélyt jelentő elektromos kábelek, vízcsővek, gázcsövek stb. a munkaterületen.**

ŐRIZZE MEG EZEKET AZ UTASÍTÁSOKAT.

▲ FIGYELMEZTETÉS: NE HAGYJA, hogy (a termék többszöri használatából eredő) kényelem és megszokás váltsa fel a termék biztonsági előírásainak szigorú betartását.

A HELYTELEN HASZNÁLAT és a használati útmutatóban szereplő biztonsági előírások megszegése súlyos személyi sérülésekhez vezethet.

Fontos biztonsági utasítások az akkumulátorra vonatkozóan

1. **Az akkumulátor használata előtt tanulmányozza át az akkumulátortöltőt (1), az akkumulátoron (2) és az akkumulátorral működtetett terméken (3) olvasható összes utasítást és figyelmeztető jelzést.**
2. **Ne szerelje szét, és ne módosítsa az akkumulátort. Tüzet, túlzott hőt vagy robbanást okozhat.**
3. **Ha a működési idő nagyon lerövidült, azonnal hagyja abba a használatot. Ez a túlmelegedés, esetleges égések és akár robbanás veszélyével is járhat.**
4. **Ha elektrolit kerül a szemébe, mossa ki azt tiszta vízzel és azonnal kérjen orvosi segítséget. Ez a látásának elvesztését okozhatja.**
5. **Ne zárja rövidre az akkumulátort:**
 - (1) **Ne érjen az érintkezőkhöz elektromosan vezető anyagokkal.**
 - (2) **Ne tárolja az akkumulátort más fémtárgyakkal, mint pl. szegekkel, érmékkel, stb. egy helyen.**
 - (3) **Ne tegye ki az akkumulátort víznek vagy esőnek.**

Az akkumulátor rövidzárlata nagy áramerősséget, túlmelegedést, égéseket, sőt akár meghibásodást is okozhat.

6. **Ne tárolja és használja a szerszámot vagy az akkumulátort olyan helyen, ahol a hőmérséklet elérheti vagy meghaladhatja az 50 °C-t (122 °F).**
7. **Ne égesse el az akkumulátort még akkor sem, ha az komolyan megsérült vagy teljesen elhasználódott. Az akkumulátor a tűzben felrobbanhat.**
8. **Ne szúrja meg, ne vágja meg, ne törje össze, ne dobja el és ne ejtse le az akkumulátort, illetve ne üsse hozzá kemény tárgyhoz. Az ilyen magatartás tüzet, túlzott hőt vagy robbanást okozhat.**
9. **Ne használjon sérült akkumulátort.**
10. **A készülékben található lítium-ion akkumulátorokra a veszélyes árukkal kapcsolatos előírások vonatkoznak.**

A termék pl. harmadik felek, fuvarozó cégek stb. által történő szállítása esetén minden esetben tartsa szem előtt a csomagoláson és a címkén található speciális követelményeket.

A termék szállításra történő felkészítése esetén vegye fel a kapcsolót egy veszélyes anyagokkal foglalkozó szakemberrel. Kérjük, hogy az esetlegesen szigorúbb nemzeti előírásokat is vegye figyelembe. Ragassza le a kiálló érintkezőket, illetve oly módon csomagolja be az akkumulátort, hogy az ne tudjon elmozdulni a csomagolásban.

11. **Az akkumulátor ártalmatlanításakor vegye ki azt a szerszámból, és ártalmatlanítsa egy biztonságos helyen. Az akkumulátor ártalmatlanításakor tartsa be a helyi előírásokat.**
12. **Az akkumulátorokat csak a Makita által megjelölt termékekhez használja.** Ha az akkumulátorokat azokkal nem kompatibilis termékekbe helyezi, az tűzhöz, túlmelegedéshez, robbanáshoz vagy elektrolitszivárgáshoz vezethet.
13. **Ha a szerszám hosszabb ideig nincs használatban, az akkumulátort ki kell venni a szerszámból.**
14. **Használat közben és után az akkumulátor felforrósodhat, ami égési sérülést vagy alacsony hőmérsékletű égési sérülést okozhat. Figyeljen oda a forró akkumulátor kezelésére.**
15. **Ne érintse meg közvetlenül a szerszám érintkezőjét, mert elég forró lehet ahhoz, hogy égési sérüléseket okozzon.**
16. **Ne engedje, hogy forgács, por vagy sár tapadjon az akkumulátor érintkezőire, lyukaiba és hornyába.** Az fellemelegedést, tüzet, robbanást és a szerszám vagy az akkumulátor meghibásodását okozhatja, ami égési és személyi sérülésekhez vezet.
17. **Hacsak a szerszám nem támogatja a nagyfeszültségű elektromos vezetékek közelében történő használatot, ne használja az akkumulátort nagyfeszültségű elektromos vezetékek közelében.** Az a szerszám vagy az akkumulátor hibás működését vagy meghibásodását okozhatja.
18. **Tartsa távol a gyermekektől az akkumulátort.**

ŐRIZZE MEG EZEKET AZ UTASÍTÁSOKAT.

⚠VIGYÁZAT: Csak eredeti Makita akkumulátorokat használjon. A nem eredeti Makita akkumulátorok vagy módosított akkumulátorok használata esetén az akkumulátor felrobbanhat, ami tüzet, személyi sérülést és anyagi kárt okozhat. A Makita szerszáma és töltőre vonatkozó Makita garanciát is érvénytelenítheti.

Tipppek az akkumulátor maximális élettartamának eléréséhez

1. **Töltse fel az akkumulátort, mielőtt teljesen lemerülne. Állítsa le a gépet, és töltsse fel az akkumulátort, ha a gép erejének csökkenését észleli.**
2. **Soha ne töltsse újra a teljesen feltöltött akkumulátort. A túltöltés csökkenti az akkumulátor élettartamát.**
3. **Töltse az akkumulátort szobahőmérsékleten, 10 °C - 40 °C (50 °F - 104 °F) között. Töltés előtt hagyja lehűlni a fölforrósodott akkumulátort.**
4. **Ha nem használja az akkumulátort, vegye ki a szerszámból vagy a töltőből.**
5. **Töltse fel az akkumulátort, ha hosszabb ideje (több mint hat hónapja) nem használta azt.**

MŰKÖDÉSI LEÍRÁS

⚠VIGYÁZAT: Minden esetben ellenőrizze, hogy a szerszám ki van kapcsolva és az akkumulátor eltávolításra került mielőtt beállít vagy ellenőriz valamilyen funkciót a szerszámon.

Az akkumulátor behelyezése és eltávolítása

⚠VIGYÁZAT: Mindig kapcsolja ki az eszközt, mielőtt behelyezi vagy eltávolítja az akkumulátort.

⚠VIGYÁZAT: Az akkumulátor behelyezésekor vagy eltávolításakor erősen fogja meg a szerszámot és az akkumulátort. Ha nem fogja erősen a szerszámot és az akkumulátort, azok kicsúszhatnak a kezei közül, ami a szerszám és az akkumulátor károsodásához, de akár személyi sérüléshez is vezethet.

Az akkumulátor beszereléséhez illesse az akkumulátor nyelvét a burkolaton található vágatba, és csúsztassa a helyére. Egészen addig tolja be, amíg az akkumulátor egy kis kattánással a helyére nem ugrik. Ha látható a piros jel az ábrán látható módon, akkor nem kattant be teljesen.

Az akkumulátoregység kivételéhez nyomja be az akkumulátoregység elején található gombot, és húzza le a gépről.

▶ **Ábra1:** 1. Piros jel 2. Gomb 3. Akkumulátor

⚠VIGYÁZAT: Mindig tolja be teljesen az akkumulátort, amíg a piros jel el nem tűnik. Ha ez nem történik meg, akkor az akkumulátor kieshet a szerszámból, és Önnek vagy a környezetében másnak sérülést okozhat.

⚠VIGYÁZAT: Ne erőltesse az akkumulátort behelyezésre. Ha az akkumulátor nem csúszik be könnyedén, akkor nem megfelelően lett behelyezve.

Szerszám-/akkumulátorvédő rendszer

A gép szerszám-/akkumulátorvédő rendszerrel van felszerelve. A rendszer automatikusan kikapcsolja a motor áramellátását, így megnöveli a szerszám és az akkumulátor élettartamát. A gép használat közben automatikusan leáll, ha a szerszám vagy az akkumulátor a következő állapotok valamelyikébe kerül:

Túlterhelésvédelem

Ha a szerszámot/akkumulátort úgy használják, hogy az rendellenesen nagy áramot vesz fel, a szerszám automatikusan leáll. Ilyenkor kapcsolja ki a gépet, és fejezze be azt a műveletet, amelyik a túlterhelést okozza. A munka újrakezdéséhez kapcsolja be a gépet.

Túlmelegedés elleni védelem

Ha a szerszám/akkumulátor túlmelegedett, automatikusan leáll. Ilyenkor hagyja lehűlni a szerszámot/akkumulátort, mielőtt ismét bekapcsolná.

Mélykisütés elleni védelem

Amikor az akkumulátor kapacitása már alacsony, a gép automatikusan leáll. Ebben az esetben távolítsa el az akkumulátort a szerszámból és töltsse fel.

Egyéb okok elleni védelem

A védelmi rendszert más olyan okok ellen is tervezték, amelyek károsíthatják a szerszámot és amelyek lehetővé teszik, hogy a szerszám automatikusan leálljon. Hajtás végre az alábbi összes lépést az okok tisztázása érdekében, ha a szerszám ideiglenesen vagy teljesen leállt.

1. Kapcsolja ki a szerszámot, majd kapcsolja be ismét az újraindításhoz.
2. Töltse fel az akkumulátor(oka)t vagy cserélje ki azt/azokat újratöltött akkumulátorral.
3. Hagyja, hogy a szerszám és az akkumulátor(ok) lehűljenek.

Ha nem történik javulás a védelmi rendszer helyreállítása után sem, forduljon a helyi Makita Szervizközpontozhoz.

Figyelmeztető lámpa

A nyomásra aktiválódó hajtás üzemmód választón található jelzőlámpa figyelmeztető jelzést ad ki villogó piros fény formájában, amikor a szerszám az alábbi működési körülmények között üzemel.

► **Ábra2:** 1. Jelzőlámpa

Lámpa állapota	Okok	Megoldások
Gyorsan villog (kb. 1/3 másodperces időközönként)	Az akkumulátor kezd lemerülni	Töltse fel az akkumulátort, amint módjában áll.
Késleltetett villogás (kb. másodperces időközönként)	Túlmelegedés	Hagyja kihűlni a szerszámot, mielőtt ismét bekapcsolná.











MEGJEGYZÉS: Megjelenhet a túlmelegedés figyelmeztetés az akkumulátor állapotától és az üzemi körülményektől függően.

Az akkumulátor töltöttségének jelzése

Csak állapotjelzős akkumulátorok esetén

Nyomja meg az ellenőrzőgombot, hogy az akkumulátortöltöttség-jelző megmutassa a hátralévő akkumulátor-kapacitást. Ekkor a töltöttség-szint-jelző lámpák néhány másodpercre kigyulladnak.

► **Ábra3:** 1. Jelzőlámpák 2. Check (ellenőrzés) gomb

Jelzőlámpák			Töltöttségi szint
			
			75%-tól 100%-ig
			50%-tól 75%-ig
			25%-tól 50%-ig
			0%-tól 25%-ig
			Töltse fel az akkumulátort.
 ↑ ↓ 			Lehetséges, hogy az akkumulátor meghibásodott.

MEGJEGYZÉS: Az adott munkafeltételektől és a környezeti hőmérsékletétől függően a jelzett töltöttségi szint némileg eltérhet a tényleges töltöttségi szinttől.

MEGJEGYZÉS: Az első (bal oldali szélső) jelzőlámpa villog, ha az akkumulátorvédő rendszer működik.

A kívánt csavarhossz beállítása

A DFR452 / DFR453 típusokhoz

Az eszköz 4 alakzárás csavarhossz beállítást biztosít. Csúsztassa az ütközőlemezt ki és be, miközben lenyomja az ütközőlemez felső felületén található karokat úgy, hogy a kívánt csavarhossz száma (feltüntetve a címkén) jelenjen meg a leolvasó ablakban. Lásd az alábbi táblázatot a kívánt csavarhosszhoz rendelt számokról.

► **Ábra4:** 1. Ütközőlemez 2. Kar 3. Lemez 4. Köpeny

A címkén található számok	Csavarhossz tartományok
20	20 mm (13/16")
25	25 mm - 28 mm (1" - 1-1/8")
32	28 mm - 35 mm (1-1/8" - 1-3/8")
41	35 mm - 41 mm (1-3/8" - 1-5/8")

A DFR551 / DFR552 típusokhoz

Az eszköz 7 alakzárás csavarhossz beállítást biztosít. Csúsztassa az ütközőlemezt ki és be, miközben lenyomja az ütközőlemez felső felületén található karokat úgy, hogy a kívánt csavarhossz száma (feltüntetve a címkén) jelenjen meg a leolvasó ablakban. Lásd az alábbi táblázatot a kívánt csavarhosszhoz rendelt számokról.

► **Ábra5:** 1. Ütközőlemez 2. Kar 3. Lemez 4. Köpeny

A címkén található számok	Csavarhossz tartományok
25	25 mm (1")
30	25 mm - 30 mm (1" - 1-3/16")
35	30 mm - 35 mm (1-3/16" - 1-3/8")
40	35 mm - 40 mm (1-3/8" - 1-9/16")
45	40 mm - 45 mm (1-9/16" - 1-3/4")
50	45 mm - 50 mm (1-3/4" - 2")
55	50 mm - 55 mm (2" - 2-3/16")

A behajtási mélység beállítása

Nyomja meg az ütközőlemez elülső felületét és tartsa lent az adagolódobozt a köpenyben annyira, amennyire csak megy. Miközben ebben a helyzetben tartja, fordítsa el a szabályozó tárcsát annyira, hogy a behajtó-csúcs kijöjjön megközelítőleg 6 mm-re az ütközőlemez elülső felületéből.

Hajtson be egy próbacsavart. Ha a csavarfej kiáll a munkadarab felületéből, forgassa el a szabályozótárcsát az A irányba; ha a csavarfej beleül a felületbe, forgassa a szabályozótárcsát a B irányba.

► **Ábra6:** 1. Megközelítőleg 6 mm 2. Ütközőlemez 3. Adagolódoboz 4. Köpeny 5. Szabályozótárcsa

A kapcsoló használata

⚠ FIGYELMEZTETÉS: Mielőtt behelyezi az akkumulátort a szerszámba, mindig ellenőrizze, hogy a kapcsológomb hibátlanul működik és felengedéskor „OFF” állásba áll-e.

A szerszám elindításához húzza meg a kapcsológombot. Ha erősebben nyomja a kapcsológombot, a szerszám fordulatszámja növekszik. A megállításhoz engedje el a kapcsológombot.

A folyamatos működéshez húzza meg a kapcsológombot, nyomja be a reteszelőgombot, majd engedje el a kapcsológombot. A szerszám leállításához reteszelt állásból teljesen húzza meg, majd engedje el a kapcsológombot.

► **Ábra7:** 1. Kioldókapcsoló 2. Reteszelőgomb

Forgásirányváltó kapcsoló használata

⚠ VIGYÁZAT: Használat előtt mindig ellenőrizze a beállított forgásirányt.

⚠ VIGYÁZAT: A forgásirányváltó kapcsolókat csak azután használja, hogy a szerszám teljesen megállt. A forgásirány megváltoztatása a szerszám leállása előtt a gép károsodását okozhatja.

⚠ VIGYÁZAT: Amikor nem működteti a szerszámot, a forgásirányváltó kapcsolókat mindig állítsa a semleges állásba.

Ez a szerszám forgásirányváltó kapcsolókkal van felszerelve a forgásirány megváltoztatásához. Váltsa át a forgásirányváltó kapcsolókat az A oldalról az óramutató járásával megegyező vagy a B oldalról az azzal ellentétes irányú forgáshoz.

Amikor az irányváltó kapcsolókat semleges pozícióban van, akkor a kapcsológombot nem lehet behúzni.

► **Ábra8:** 1. Forgásirányváltó kapcsolókat

Nyomásra aktiválódó hajtás üzemmód

A nyomásra aktiválódó hajtás üzemmódban a behajtócsúcs csak akkor fordul el, ha nyomást gyakorolunk a behajtó felületre az ütközőelem segítségével, mellyel a motor és így az akkumulátor energiát takarít meg megszakítva az áramot az üresjáratokban.

A nyomásra aktiválódó hajtás üzemmód kiválasztásához húzza meg kissé a kapcsológombot, majd engedje el és gyorsan nyomja be az üzemmódváltó gombot. A nyomásra aktiválódó hajtás üzemmódváltón található jelzőlámpa kigyullad.

► **Ábra9:** 1. Üzemmódválasztó gomb 2. Jelzőlámpa

MEGJEGYZÉS: A nyomásra aktiválódó hajtás üzemmód automatikusan kikapcsol nyolc óra után a kapcsológomb reteszelt állásában és ha nem történik további kapcsoló művelet. A szerszám újraindításához húzza meg teljesen a kapcsológombot a reteszelőgomb kioldásához, és húzza meg újra a kapcsológombot.

Véletlenszerű újraindítást megelőző funkció

Ha a kapcsológombot meghúzza tartva helyezi be az akkumulátort, a szerszám nem indul el.

A szerszám bekapcsolásához először engedje el, majd húzza meg a kapcsológombot.

ÖSSZESZERELÉS

⚠ VIGYÁZAT: Minden esetben ellenőrizze, hogy a szerszám ki van kapcsolva és az akkumulátort levette, mielőtt bármilyen műveletet végez a szerszámon.

A behajtócsúcs felhelyezése és eltávolítása

⚠ VIGYÁZAT: Legyen óvatos, ne érjen a csavarok éles széléhez a szerszám alkotóelemeinek és tartozékainak összeszerelése közben.

⚠ VIGYÁZAT: Kezelje körültekintően az alkotóelemeket és tartozékokat. Felhelyezéskor és eltávolításkor mindig erősen fogja meg a tartozékokat és a toldóelemeket. Ellenkező esetben a tartozékok és toldóelemek kicsúszhatnak a kezéből és leeshetnek.

⚠ VIGYÁZAT: A tartozékok felhelyezésekor és eltávolításakor fogja a burkolatot.

⚠ VIGYÁZAT: A csúcs cseréjekor mindig kapcsolja ki és távolítsa el az akkumulátort.

A behajtócsúcs felhelyezése

1. A behajtócsúcs beszereléséhez helyezze azt az orsónyílásba amennyire bele megy miközben nyomja és tartja az orsót a hajtóműházban. Ezután engedje vissza az orsót a behajtócsúcs rögzítéséhez.

► **Ábra10:** 1. Behajtócsúcs 2. Orsó 3. Hajtóműház

2. A köpenyt nyomja vissza a hajtóműházba, miközben a köpeny testét stabilan tartja, amíg a köpeny két oldalán található kioldógombok egy kis kattánással a helyükre nem rögzülnek.

► **Ábra11:** 1. Köpeny 2. Kioldógombok

A behajtócsúcs eltávolítása

1. Nyomja meg és tartsa lenyomva a kioldógombokat a köpeny oldalán, majd húzza szét a köpenyt.

► **Ábra12:** 1. Kioldógombok 2. Köpeny

2. A behajtócsúcs eltávolításához húzza ki, miközben nyomja és tartja az orsót a hajtóműházon.

► **Ábra13:** 1. Behajtócsúcs 2. Orsó 3. Hajtóműház

A csavartartó heveder felszerelése

⚠ VIGYÁZAT: A csavarszalag levágása előtt mindig kapcsolja ki és távolítsa el az akkumulátort.

Bujtassa át a csavartartó hevedert a csavarvezetőn. Ezután bujtassa át az etetődobozon annyira, hogy az első csavar a behajtási pozíció melletti helyzetbe kerüljön.

- ▶ **Ábra14:** 1. Csavarszalag 2. Csavarszalag vezető 3. Köpeny 4. Csavarbetöltő vezető 5. Adagolódoboz

MEGJEGYZÉS: Ügyeljen rá, hogy az első csavart a második sorban a behajtási pozíció mellé állítsa.

- ▶ **Ábra15:** 1. Első csavar 2. Behajtási pozíció

A csavartartó heveder eltávolítása

⚠ VIGYÁZAT: A toldóelem eltávolítása előtt mindig távolítsa el a csavarszalagot.

A csavarszalag eltávolításához húzza ki felfelé az adagolódobozból.

- ▶ **Ábra16**

A csavarszalag lefelé kihúzható az adagolódobozból, miközben az irányváltó gombot az adagolódobozon nyomva tartja.

- ▶ **Ábra17:** 1. Irányváltó gomb 2. Adagolódoboz

Akasztó felszerelése

⚠ FIGYELMEZTETÉS: Az akasztó/rögzítő alkatrészeket csak rendeltetés szerűen használja, például a szerszámot a szerszámszijra csak a munkálatok között vagy a szünetek időtartamára akassza fel.

⚠ FIGYELMEZTETÉS: Ügyeljen rá, hogy ne terhelje túl az akasztót, mert a túl nagy erő vagy a rendellenes túlterhelés a szerszám károsodását okozhatja, ami személyi sérüléshez vezethet.

⚠ VIGYÁZAT: Az akasztót felszereléskor mindig rögzítse szorosan a csavarral. Ellenkező esetben az akasztó leválhat az eszköztől, és személyi sérülést eredményezhet.

⚠ VIGYÁZAT: Mielőtt elengedné a terhet, győződjön meg róla, hogy a szerszám biztonságosan akasztotta fel. A nem megfelelő vagy kiegyensúlyozatlan felfüggesztés a szerszám leesését és így az Ön sérülését is okozhatja.

- ▶ **Ábra18:** 1. Horony 2. Akasztó 3. Csavar

Az akasztó a szerszám ideiglenes felakasztására használható. A szerszám mindkét oldalára felszerelhető. Az akasztó felszereléséhez helyezze azt a szerszám burkolatán található horonyba valamelyik oldalon, majd rögzítse egy csavarral. A felszereléshez csavarja ki a csavart és vegye le az akasztót.

Furat használatával

⚠ FIGYELMEZTETÉS: Soha ne használja a felakasztó furatot nem rendeltetés szerű célokra, például a szerszám felkötésére magas helyeken. Feszültség ébredése erősen terhelte furatokban károsodást okozhat a furatban, ami az Ön vagy az Ön körül vagy alatt tartózkodó emberek sérülését okozhatja.

A szerszám hátsó alsó részén található felakasztó furat segítségével akaszthatja fel a szerszámot a falra függesztő zsinórral vagy hasonló madzaggal.

- ▶ **Ábra19:** 1. Felakasztó furat

ÜZEMELTETÉS

Behajtási művelet

MEGJEGYZÉS: Mindig ellenőrizze, hogy ne legyen elkopva a behajtócsúcs a behajtó műveletek előtt. Cserélje ki az elhasznált behajtócsúcsot, különben a behajtás erőssége rossz minőségű lehet.

MEGJEGYZÉS: Mindig merőlegesen tartsa a szerszámot a behajtási felületre. Ha más szöveget bezárólag tartja, az a csavarfejek károsodását és a behajtócsúcs kopását okozhatja. Ez rossz minőségű behajtáserősséget is okozhat.

MEGJEGYZÉS: Mindig szilárdan tartsa a szerszámot a behajtás végéig a behajtási felülethez. Ennek elmulasztása a csavarok nem megfelelő rögzülését okozhatja.

MEGJEGYZÉS: Ügyeljen rá, hogy ne hajtson be egy másik csavart oda, ahova egyet már rögzített.

MEGJEGYZÉS: Ne működtesse a gépet csavarok nélkül. Ez károsítja a behajtó felületet.

MEGJEGYZÉS: Ne alkalmazzon olajat vagy zsírt az adagolódoboz csúszó felületén.

Kapcsolja be a szerszámot a kioldókapcsoló meghúzásával. Tartsa merőlegesen és szilárdan a szerszámot munkadarab felületéhez képest. A csavar automatikusan a behajtási pozícióba mozog és meghúzásra kerül.

- ▶ **Ábra20**

Behajtás nyomásra aktiválódó hajtás üzemmódban

1. Húzza meg enyhén a kapcsológombot, majd engedje le. Majd gyorsan nyomja meg az üzemmódváltó gombot.

A nyomásra aktiválódó hajtás üzemmódot választó gombon található jelzőlámpa kigyullad, és a nyomásra aktiválódó üzemmód bekapcsol.

- ▶ **Ábra21:** 1. Üzemmódváltó gomb 2. Jelzőlámpa

2. Nyomja meg a reteszelőgombot a kapcsológomb meghúzásában, majd engedje el a kapcsológombot.

- ▶ **Ábra22:** 1. Reteszelőgomb 2. Kapcsológomb

MEGJEGYZÉS: A nyomásra aktiválódó hajtás üzemmód kiválasztott állapotában és a kapcsológomb rezeselése mellett, a motor nem forog, amikor nincs terhelés alatt minimalizálva így az áramfogyasztást.

3. Tartsa a szerszámot merőlegesen a behajtási felületre és alkalmazzon előremutató nyomást a szerszámon.

A csavar automatikusan a behajtási pozícióba kerül, és teljes sebességgel történik a behajtása.

► **Ábra23**

Csavarbehajtás sarokban

⚠VIGYÁZAT: Faltól kevesebb, mint 15 mm távolságban történő behajtás, vagy olyan helyzetű behajtás esetén, amikor az ütközőlemez érintkezik a fallal, a csavarfejek károsodhatnak vagy a behajtócsúcs elkophat. Ez a csavarok rossz minőségű behajtáserősségét vagy a szerszám meghibásodását okozhatja.

Ez a szerszám a faltól mért 15 mm -es távolságban használható az ábrán látható módon.

► **Ábra24:** 1. Fal 2. Ütközőlemez 3. 15 mm

Kihajtási művelet

⚠VIGYÁZAT: Használat előtt mindig ellenőrizze a beállított forgásirányt.

⚠VIGYÁZAT: A forgásirányváltó kapcsolókart csak azután használja, hogy a szerszám teljesen megállt. A forgásirány megváltoztatása a szerszám leállása előtt a gép károsodását okozhatja.

A szerszám lehetővé teszi a behajtócsúcs forgási irányának könnyű megváltoztatását, forgatható jobbra (az óramutatóval megegyező irányban) a csavar behajtásához, és balra (az óramutató járásával ellentétes irányban) a csavar kilátásához.

1. Nyomja le a forgásirányváltó kapcsolókart a B oldalról az óramutató járásával ellentétes irányú forgatáshoz.

► **Ábra25:** 1. Forgásirányváltó kapcsolókar

2. Nyomja meg és tartsa lenyomva a kioldógombokat a köpeny oldalán, majd húzza szét a köpenyt.

► **Ábra26:** 1. Kioldógombok 2. Köpeny

3. Helyezze a behajtócsúcs fejét a meglazítandó csavar fejébe.

4. Tartsa a szerszámot stabilan a csavarhoz és nyomja meg a kapcsológombot az indításhoz.

► **Ábra27:** 1. Behajtócsúcs 2. Csavarfej
3. Kapcsológomb

5. A működés befejezése után tegye vissza a köpenyt a hajtóműházra, amíg az a helyére nem rögzül.

KARBANTARTÁS

⚠VIGYÁZAT: Minden esetben ellenőrizze, hogy a szerszám ki van kapcsolva és az akkumulátor eltávolításra került mielőtt átvizsgálja a szerszámot vagy annak karbantartását végzi.

MEGJEGYZÉS: Soha ne használjon gázolajt, benzint, hígítót, alkoholt vagy hasonló anyagokat. Ezek elszineződést, alakvesztést vagy repedést okozhatnak.

A termék BIZTONSÁGÁNAK és MEGBÍZHATÓSÁGÁNAK fenntartása érdekében a javításokat és más karbantartásokat vagy beállításokat a Makita hivatalos vagy gyári szervizközpontjában kell elvégezni, mindig csak Makita cserealkatrészeket használva.

A használat után

Törölje át a szerszámot száraz vagy enyhén szappanos vízzel megnedvesített ruhával szabályos időközönként.

OPCIONÁLIS KIEGÉSZÍTŐK

⚠VIGYÁZAT: Ezen kiegészítőket és tartozékokat javasoljuk a kézikönyvben ismertetett Makita szerszámhoz. Bármilyen más kiegészítő vagy tartozék használata a személyi sérülés kockázatával jár. A kiegészítőt vagy tartozékot csak rendeltetésszerűen használja.

Ha bármilyen segítségre vagy további információkra van szüksége ezekkel a tartozékokkal kapcsolatban, keresse fel a helyi Makita Szervizközpontot.

- Csavartartó heveder szárazfalazathoz
- Phillips betét
- Négyszögletű betét
- Pozidriv betét
- Köpeny
- Eredeti Makita akkumulátor és töltő

MEGJEGYZÉS: A listán felsorolt néhány kiegészítő megtalálható az eszköz csomagolásában standard kiegészítőként. Ezek országonként eltérőek lehetnek.

TECHNICKÉ ŠPECIFIKÁCIE

Model:	DFR452	DFR453	DFR551	DFR552
Pás so skrútkami	ø3,5 mm x 20 mm – ø4,2 mm x 41 mm		ø3,5 mm x 25 mm – ø4,2 mm x 55 mm	
Otáčky naprázdno	0 – 6 000 min ⁻¹	0 – 4 500 min ⁻¹	0 – 6 000 min ⁻¹	0 – 4 500 min ⁻¹
Celková dĺžka	360 mm		396 mm	
Menovité napätie	Jednosmerný prúd 18 V			
Čistá hmotnosť	1,9 – 2,2 kg			

- Vzhľadom k neustálemu výskumu a vývoju podliehajú technické údaje uvedené v tomto dokumente zmenám bez upozornenia.
- Technické údaje sa môžu pre rôzne krajiny líšiť.
- Hmotnosť sa môže líšiť v závislosti od nadstavcov vrátane akumulátora. Najľahšia a najťažšia kombinácia v súlade s postupom EPTA 01/2014 je uvedená v tabuľke.

Použiteľné akumulátory a nabíjačky

Akumulátor	BL1815N / BL1820B / BL1830B / BL1840B / BL1850B / BL1860B
Nabíjačka	DC18RC / DC18RD / DC18RE / DC18SD / DC18SE / DC18SF / DC18SH / DC18WC

- Niektoré vyššie uvedené akumulátory a nabíjačky môžu byť nedostupné v závislosti od miesta vášho bydliska.

VAROVANIE: Používajte iba akumulátory a nabíjačky zo zoznamu uvedeného vyššie. Používanie akýchkoľvek iných akumulátorov a nabíjačiek môže spôsobiť zranenie a/alebo požiar.

Určené použitie

Tento nástroj je určený na skrútkovanie skrútek do dreva, kovu a plastu.

Hluk

Typická hladina akustického tlaku zátáže A určená podľa štandardu EN62841-2-2:

Model	Úroveň akustického tlaku (L_{pA}): (dB (A))	Odchýlka (K): (dB (A))
DFR452	78	3
DFR453	79	3
DFR551	77	3
DFR552	78	3

Úroveň hluku pri práci môže prekročiť 80 dB (A).

POZNÁMKA: Deklarovaná hodnota emisií hluku bola meraná podľa štandardnej skúšobnej metódy a môže sa použiť na porovnanie jedného nástroja s druhým.

POZNÁMKA: Deklarovaná hodnota emisií hluku sa môže použiť aj na predbežné posúdenie vystavenia ich účinkom.

VAROVANIE: Používajte ochranu sluchu.

VAROVANIE: Emisie hluku sa môžu počas skutočného používania elektrického nástroja odlišovať od deklarovanej hodnoty, a to v závislosti od spôsobov používania náradia a najmä typu spracúvaného obrobku.

VAROVANIE: Nezapadnite označiť bezpečnostné opatrenia s cieľom chrániť obsluhu, a to tie, ktoré sa zakladajú na odhade vystavenia účinkom v rámci reálnych podmienok používania (berúc do úvahy všetky súčasti prevádzkového cyklu, ako sú doby, kedy je nástroj vypnutý a kedy beží bez zaťaženia, ako dodatok k dobe zapnutia).

Vibrácie

Celková hodnota vibrácií (trojosový vektorový súčet) určená podľa štandardu EN62841-2-2:

Pracovný režim: brúsenie povrchov so štandardnou bočnou rukoväťou

Model	Emisie vibrácií (a_h): (m/s ²)	Odchýlka (K): (m/s ²)
DFR452	2,5 m/s ² alebo menej	1,5 m/s ²
DFR453		
DFR551		
DFR552		

POZNÁMKA: Deklarovaná celková hodnota vibrácií bola meraná podľa štandardnej skúšobnej metódy a môže sa použiť na porovnanie jedného nástroja s druhým.

POZNÁMKA: Deklarovaná celková hodnota vibrácií sa môže použiť aj na predbežné posúdenie vystavenia ich účinkom.

VAROVANIE: Emisie vibrácií sa môžu počas skutočného používania elektrického nástroja odlišovať od deklarovanej hodnoty, a to v závislosti od spôsobov používania náradia a najmä typu spracúvaného obrobku.

VAROVANIE: Nezabudnite označiť bezpečnostné opatrenia s cieľom chrániť obsluhu, a to tie, ktoré sa zakladajú na odhade vystavenia účinkom v rámci reálnych podmienok používania (berúc do úvahy všetky súčasti prevádzkového cyklu, ako sú doby, kedy je nástroj vypnutý a kedy beží bez zaťaženia, ako dodatok k dobe zapnutia).

Vyhľadania o zhode

Len pre krajiny Európy

Vyhľadania o zhode sa nachádzajú v prílohe A tohto návodu na obsluhu.

BEZPEČNOSTNÉ VAROVANIA

Všeobecné bezpečnostné predpisy pre elektrické nástroje

VAROVANIE Preštudujte si všetky bezpečnostné varovania, pokyny, vyobrazenia a technické špecifikácie určené pre tento elektrický nástroj. Pri nedodržaní všetkých nižšie uvedených pokynov môže dôjsť k úrazu elektrickým prúdom, požiaru alebo vážnemu zraneniu.

Všetky výstrahy a pokyny si odložte pre prípad potreby v budúcnosti.

Pojem „elektrický nástroj“ sa vo výstrahách vzťahuje na elektricky napájané elektrické nástroje (s káblom) alebo batériu napájané elektrické nástroje (bez kábla).

Bezpečnostné varovania pre akumulátorový skrutkovač

1. Pri práci, keď sa upínací prvok môže dostať do kontaktu so skrytým vedením, držte elektrické náradie len za izolované úchopné povrchy. Upínací prvok, ktorý sa dostane do kontaktu so „živým“ vodičom môže spôsobiť vystavenie kovových častí elektrického náradia „živému“ prúdu a spôsobiť tak obsluhu zasiahnutie elektrickým prúdom.
2. Vždy dbajte na pevný postoj. Ak pracujete vo výškach, dbajte na to, aby pod вами nikto nebol.
3. Náradie držte pevne.
4. Nepribližujte ruky k otáčajúcim sa častiam.
5. Nedotýkajte sa nástavca alebo obrobku hneď po úkone; môžu byť extrémne horúce a môžu popáliť vašu pokožku.
6. Obrobok vždy upínajte do zveráka či do podobného upevňovacieho zariadenia.

7. Presvedčte sa, či sa na pracovisku nenachádzajú žiadne elektrické vedenia, vodné potrubia, plynové potrubia a pod., ktoré by mohli v prípade poškodenia v dôsledku používania nástroja predstavovať riziko.

TIETO POKYNY USCHOVAJTE.

VAROVANIE: NIKDY nepripustíte, aby sebavedomie a dobrá znalosť výrobku (získané opakovaným používaním) nahradili presné dodržiavanie bezpečnostných pravidiel pre náradie.

NESPRÁVNE POUŽÍVANIE alebo nedodržiavanie bezpečnostných zásad uvedených v tomto návode môže viesť k vážnemu zraneniu.

Dôležité bezpečnostné a prevádzkové pokyny pre akumulátor

1. Pred použitím akumulátora si prečítajte všetky pokyny a výstražné označenia na (1) nabíjačke akumulátorov, (2) akumulátore a (3) produkte používajúcom akumulátor.
2. Akumulátor nerozoberajte ani neupravujte. Môže to viesť k požiaru, nadmernému teplu alebo výbuchu.
3. Ak sa doba prevádzky príliš skráti, ihneď prerušte prácu. Môže nastať riziko prehriatia, možných popálením či dokonca explózie.
4. V prípade zasiahnutia očí elektrolytom ich vypláchnite čistou vodou a okamžite vyhľadajte lekársku pomoc. Môže dôjsť k strate zraku.
5. Akumulátor neskratujte:
 - (1) Nedotýkajte sa konektorov žiadnym vodivým materiálom.
 - (2) Neskladujte akumulátor v obale s inými kovovými predmetmi, napríklad klincami, mincami a pod.
 - (3) Akumulátor nevystavujte vode ani dažďu. Skrat akumulátora môže spôsobiť veľký tok prúdu, prehriatie, možné popáleniny či dokonca poruchu.
6. Nástroj ani akumulátor neskladujte a nepoužívajte na miestach s teplotou presahujúcou 50 °C (122 °F).
7. Akumulátor nespálujte, ani keď je vážne poškodený alebo úplne opotrebovaný. Akumulátor môže v ohni explodovať.
8. Akumulátor neprepichujte, neprerezávajte, nedrhte, nehadzte ani ho nenarúšajte údermi o tvrdé predmety. Môže to viesť k požiaru, nadmernému teplu alebo výbuchu.
9. Nepoužívajte poškodený akumulátor.
10. Litium-iónové akumulátory, ktoré sú súčasťou náradia, podliehajú požiadavkám legislatívy o nebezpečnom tovare.

V prípade obchodnej prepravy, napr. dodanie tretími stranami či špeditériami, sa musia dodržiavať špeciálne požiadavky na zabalenie a označenie. Pred prípravou položky na odoslanie sa vyžaduje konzultácia s odborníkom na nebezpečný materiál. Taktiež treba dodržiavať potenciálne podrobnejšie predpisy príslušnej krajiny. Prelepte alebo zakryte otvorené kontakty a zabalte akumulátor tak, aby sa v balíku nemohol voľne pohybovať.

11. **Akumulátor pri likvidácii odstráňte z nástroja a zlikvidujte ho na bezpečnom mieste. Akumulátor zlikvidujte v súlade s miestnymi nariadeniami.**
12. **Akumulátory používajte iba s výrobkami uvedenými spoločnosťou Makita.** Inštalácia akumulátorov do nevyhovujúcich výrobkov môže spôsobiť požiar, nadmerné teplo, výbuch alebo únik elektrolytov.
13. **Ak sa nástroj dlhší čas nepoužíva, odstráňte z neho akumulátor.**
14. **Akumulátor sa môže počas používania a po použití zohriať, čo môže spôsobiť popáleniny alebo popáleniny aj pri relatívne nízkej teplote. Pri manipulácii s horúcimi akumulátormi dávajte pozor.**
15. **Nedotýkajte sa svorky nástroja ihneď po použití, keďže sa mohla zohriať dostatočne na to, aby spôsobila popálenie.**
16. **Zabráňte zachytávaniu triesok, prachu alebo zeminy na svorkách, otvoroch a drážkach akumulátora.** Môže to spôsobiť zohriatie, požiar, výbuch a poruchu nástroja alebo akumulátora, v dôsledku čoho môže dôjsť k popáleninám alebo zraneniu osôb.
17. **Pokiaľ nástroj nepodporuje používanie v blízkosti vysokonapäťových elektrických vedení, nepoužívajte akumulátor blízko vysokonapäťových elektrických vedení.** Môže to viesť k nesprávnemu fungovaniu alebo poškodeniu nástroja alebo akumulátora.
18. **Akumulátor držte mimo dosahu detí.**

TIETO POKYNY USCHOVAJTE.

⚠️ POZOR: Používajte len originálne akumulátory od spoločnosti Makita. Používanie batérií, ktoré nie sú od spoločnosti Makita, alebo upravených batérií môže spôsobiť výbuch batérie a následný požiar, zranenie osôb alebo poškodeniu majetku. Následkom bude aj zrušenie záruky od spoločnosti Makita na nástroj a nabíjačku od spoločnosti Makita.

Rady na udržanie maximálnej životnosti akumulátora

1. **Akumulátor nabíjajte ešte predtým, ako sa úplne vybije. Vždy prerušte prácu s nástrojom a nabíjajte akumulátor, keď spozorujete nižší výkon nástroja.**
2. **Nikdy nenabíjajte plne nabitý akumulátor. Prebíjanie skracuje životnosť akumulátora.**
3. **Akumulátor nabíjajte pri izbovej teplote 10 °C – 40 °C (50 °F – 104 °F). Pred nabíjaním nechajte horúci akumulátor vychladnúť.**
4. **Keď akumulátor nepoužívate, vyberte ho z nástroja alebo nabíjačky.**
5. **Lítium-iónový akumulátor nabíjajte, ak ste ho nepoužívali dlhšie ako šesť mesiacov.**

POPIS FUNKCIE

⚠️ POZOR: Pred úpravou alebo kontrolou funkčnosti nástroja vždy skontrolujte, či je nástroj vypnutý a akumulátor je vybratý.

Inštalácia alebo demontáž akumulátora

⚠️ POZOR: Pred inštaláciou alebo vybratím akumulátora nástroj vždy vypnite.

⚠️ POZOR: Pri inštalovaní a vyberaní akumulátora pevne uchopíte nástroj a akumulátor. Ak nástroj a akumulátor pevne neuchopíte, môže to mať za následok vyšmyknutie z vašich rúk s dôsledkom poškodenia nástroja a akumulátora, ako aj osobných poranení.

Akumulátor vložte tak, že jazýček akumulátora zarovnáte s drážkou v kryte a zasuniete ho na miesto. Zatlačte ho úplne, kým zakliknutím nezapadne na miesto. Ak vidíte červený indikátor, ako je znázornené na obrázku, nie je správne zaistený.

Ak chcete vybrať akumulátor, vysuňte ho z nástroja, pričom posuňte tlačidlo na prednej strane akumulátora.

► **Obr.1:** 1. Červený indikátor 2. Tlačidlo 3. Akumulátor

⚠️ POZOR: Akumulátor vždy nainštalujte úplne, až kým nie je vidieť červený indikátor. V opačnom prípade môže náhodne vypadnúť z nástroja a ublížiť vám alebo osobám v okolí.

⚠️ POZOR: Pri inštalovaní akumulátora nepoužívajte silu. Ak sa akumulátor nedá zasunúť ľahko, nevkladáte ho správne.

Systém na ochranu nástroja/akumulátora

Nástroj je vybavený systémom ochrany nástroja/akumulátora. Tento systém automaticky vypne napájanie motora s cieľom predĺžiť životnosť nástroja a akumulátora. Nástroj sa počas prevádzky automaticky zastaví v prípade, ak sa nástroj alebo akumulátor dostanú do jedného z nasledujúcich stavov:

Ochrana proti preťaženiu

Keď sa nástroj/akumulátor používa spôsobom, ktorý spôsobuje odber neštandardne vysokého prúdu, nástroj sa automaticky vypne. V tejto situácii vypnite nástroj a ukončíte prácu, ktorá spôsobuje jeho preťažovanie. Potom nástroj zapnutím znova spustíte.

Ochrana pred prehrievaním

Keď sa nástroj alebo akumulátor prehreje, nástroj sa automaticky zastaví. V tejto situácii nechajte nástroj/akumulátor pred opätovným spustením vychladnúť.

Ochrana pred nadmerným vybitím

Keď je kapacita akumulátora nedostatočná, nástroj sa automaticky vypne. V takomto prípade vyberte akumulátor z nástroja a nabíjajte ho.

Ochrana pred ďalšími nebezpečenstvami

Systém ochrany bol navrhnutý tak, aby chránil aj pred ďalšími nebezpečenstvami, ktoré by mohli poškodiť nástroj, a zaisťuje automatické zastavenie nástroja. Ak sa nástroj dočasne zastavil alebo prerušil prevádzku, problém vyriešte vykonaním nasledujúcich krokov.

1. Reštartujte nástroj tak, že ho vypnete a potom znova zapnete.
2. Nabite akumulátory alebo ich vymeňte za nabité akumulátory.
3. Nechajte nástroj aj akumulátory vychladnúť.

Ak po obnovení systému ochrany nedošlo k zlepšeniu stavu, obráťte sa na miestne servisné stredisko spoločnosti Makita.

Výstražný indikátor

Indikátor na voliči režimu spustenia pri zatlačení spustí výstrahu blikajúcimi červenými svetlami, keď nástroj pracuje v nasledujúcich prevádzkových podmienkach.

► **Obr.2:** 1. Indikátor

Stav indikátora	Príčina	Náprava
Rýchlo bliká (v intervaloch približne jedna tretina sekundy)	Nízka kapacita akumulátora	Pri najbližšej príležitosti nabite akumulátor.
Oneskorené blikanie (približne v sekundových intervaloch)	Prehrievanie	Pred opätovným zapnutím nechajte nástroj vychladnúť.

POZNÁMKA: Výstraha pred nadmerným vybitím sa môže objaviť v závislosti od stavu akumulátora a prevádzkových podmienok.

Indikácia zvyšnej kapacity akumulátora

Len na akumulátory s indikátorom

Stlačením tlačidla kontroly na akumulátore zobrazíte zostávajúcu kapacitu akumulátora. Indikátory sa na niekoľko sekúnd rozsvietia.

► **Obr.3:** 1. Indikátory 2. Tlačidlo kontroly

Indikátory			Zostávajúca kapacita
Svieti	Nesvieti	Bliká	
■	□	◻	75 % až 100 %
■ ■ ■ ■	□ □ □ □		
■ ■ ■ ■	□ □ □ □		50 % až 75 %
■ ■ ■ ■	□ □ □ □		25 % až 50 %
■ ■ ■ ■	□ □ □ □		0 % až 25 %
◻	□ □ □ □		Akumulátor nabité.
■ ■ ■ ■	□ □ □ □		Akumulátor je možno chybný.
□ □ □ □	■ ■ ■ ■	↑ ↓	

POZNÁMKA: V závislosti od podmienok používania a v závislosti od okolitej teploty sa môže zobrazenie mierne odlišovať od skutočnej kapacity.

POZNÁMKA: Prvý (úplne vľavo) svetelný indikátor bude blikať, keď systém ochrany akumulátora funguje.

Nastavenie požadovanej dĺžky skrutiek

Pre model DFR452/DFR453

Nástroj poskytuje 4 nastavenia dĺžky poistných skrutiek. Zasuňte a vysuňte pátku zarážky za súčasného stlačenia páčok v hornej časti pätky zarážky tak, aby sa číslo pre požadovanú dĺžku skrutky (uvedené na doštičke) objavilo v puzdre. Podrobnosti o číslach priradených k požadovaným dĺžkam skrutiek nájdete v nasledujúcej tabuľke.

► **Obr.4:** 1. Pátka zarážky 2. Páčka 3. Doštička 4. Puzdro

Čísla uvedené na doštičke	Rozsahy dĺžok skrutiek
20	20 mm (13/16")
25	25 mm – 28 mm (1" – 1-1/8")
32	28 mm – 35 mm (1-1/8" – 1-3/8")
41	35 mm – 41 mm (1-3/8" – 1-5/8")

Pre model DFR551/DFR552

Nástroj poskytuje 7 nastavenia dĺžky poistných skrutiek. Zasuňte a vysuňte pátku zarážky za súčasného stlačenia páčok v hornej časti pätky zarážky tak, aby sa číslo pre požadovanú dĺžku skrutky (uvedené na doštičke) objavilo v puzdre. Podrobnosti o číslach priradených k požadovaným dĺžkam skrutiek nájdete v nasledujúcej tabuľke.

► **Obr.5:** 1. Pátka zarážky 2. Páčka 3. Doštička 4. Puzdro

Čísla uvedené na doštičke	Rozsahy dĺžok skrutiek
25	25 mm (1")
30	25 mm – 30 mm (1" – 1-3/16")
35	30 mm – 35 mm (1-3/16" – 1-3/8")
40	35 mm – 40 mm (1-3/8" – 1-9/16")
45	40 mm – 45 mm (1-9/16" – 1-3/4")
50	45 mm – 50 mm (1-3/4" – 2")
55	50 mm – 55 mm (2" – 2-3/16")

Nastavenie hĺbky skrútkovania

Zatlačte prednú plochu pätky zarážky a držte skrinku podávača v kryte čo najďalej. V tejto polohe otočte nastavovací krúžok tak, aby sa hrot nadstavca skrútkovača vsunul o približne 6 mm z čelnej plochy pätky zarážky.

Skúšobne zaskrutkujte skrutku. Ak hlava skrutky vyčnieva nad povrch obrobku, otočte nastavovací krúžok v smere A; ak je hlava skrutky zapustená pod úroveň povrchu obrobku, otočte nastavovací krúžok v smere B.

► **Obr.6:** 1. Približne 6 mm 2. Pátka zarážky 3. Skrinka podávača 4. Puzdro 5. Nastavovací krúžok

Zapínanie

VAROVANIE: Pred vložením akumulátora do nástroja sa vždy presvedčite, či spúšťači spínač funguje správne a po uvoľnení sa vráti do pozície „OFF“.

Nástroj spustíte stlačením spúšťacieho spínača. Rýchlosť nástroja sa zvyšuje zvyšovaním prítlaku na spúšťači spínač. Nástroj zastavíte uvoľnením spúšťacieho spínača.

Ak chcete pracovať nepretržite, potiahnite spúšťači spínač, stlačte poistné tlačidlo a následne uvoľnite spúšťači spínač. Nástroj z uzamknutej polohy zastavíte úplným potiahnutím spúšťacieho spínača a jeho následným uvoľnením.

► **Obr.7:** 1. Spínač 2. Poistné tlačidlo

Prepínanie smeru otáčania

POZOR: Pred začatím činnosti vždy skontrolujte smer otáčania.

POZOR: Smer otáčania prepínajte až po úplnom zastavení nástroja. Pri zmene smeru otáčania pred úplným zastavením by sa mohol nástroj poškodiť.

POZOR: Keď nástroj nepoužívate, prepínanie páčku smeru otáčania vždy prepnete do neutrálnej polohy.

Tento nástroj má prepínanie páčku na zmenu smeru otáčania. Zatlačte prepínanie páčku smeru otáčania zo strany A pre otáčanie v smere pohybu hodinových ručičiek alebo zo strany B pre otáčanie proti smeru pohybu hodinových ručičiek.

Keď je prepínanie páčka smeru otáčania v neutrálnej polohe, spúšťači spínač sa nedá potiahnuť.

► **Obr.8:** 1. Prepínanie páčka smeru otáčania

Režim spustenia pri zatlačení

V režime spustenia pri zatlačení sa nadstavec skrutkovača otáča zatlačením na plochu skrutkovača pätkou zarážky, čo umožňuje nástroju odpojiť napájanie motora, čím sa šetrí kapacita akumulátora pri nečinnosti.

Ak chcete vybrať režim spustenia pri zatlačení, slabo stlačte spúšťači spínač, uvoľnite ho a rýchlo stlačte tlačidlo výberu režimu. Následne sa rozsvieti indikátor na voliči režimu spustenia pri zatlačení.

► **Obr.9:** 1. Tlačidlo výberu režimu 2. Indikátor

POZNÁMKA: Režim spustenia pri zatlačení sa automaticky vypne po ôsmich hodinách so zaisteným spúšťačím spínačom a žiadnej ďalšej činnosti spínača. Na opätovné spustenie nástroja úplne potiahnite spúšťači spínač na uvoľnenie poistného tlačidla a znova potiahnite spúšťači spínač.

Funkcia na zabránenie náhodnému spusteniu

Ak počas ťahania spúšťacieho spínača vložíte akumulátor, nástroj sa nespustí. Nástroj spustíte najprv uvoľnením spúšťacieho spínača a následným stlačením spúšťacieho spínača.

MONTÁŽ

POZOR: Pred vykonaním akejkoľvek práce na nástroji vždy skontrolujte, či je nástroj vypnutý a akumulátor je vybratý.

Montáž a demontáž nadstavca skrutkovača

POZOR: Pri opätovnej montáži komponentov a nadstavcov dávajte pozor a nedotýkajte sa ostrých okrajov skrutiek.

POZOR: S príslušenstvom a nadstavcami manipulujte opatrne. Pri montáži a demontáži vždy pevne držte telo príslušenstva a nadstavcov. V opačnom prípade sa vám príslušenstvo a nadstavce môžu vyšmyknúť z rúk a spadnúť.

POZOR: Pri montáži a demontáži príslušenstva držte kryt.

POZOR: Pri výmene nadstavca zariadenie vždy vypnite a vyberte akumulátor.

Montáž nadstavca skrutkovača

1. Ak chcete nainštalovať nadstavec skrutkovača, zasuňte ho čo najďalej do otvoru hriadeľa a zároveň zatlačte a podržte hriadeľ v kryte prevodu. Potom uvoľnite hriadeľ a zaisťte tak nadstavec skrutkovača.

► **Obr.10:** 1. Nadstavec skrutkovača 2. Hriadeľ 3. Kryt prevodu

2. Zatlačte kryt do krytu prevodu, pričom pevne držte telo krytu, kým sa uvoľňovacie tlačidlá na oboch stranách krytu jemným cvaknutím nezaistia na mieste.

► **Obr.11:** 1. Kryt 2. Uvoľňovacie tlačidlá

Demontáž nadstavca skrutkovača

1. Stlačte a podržte uvoľňovacie tlačidlá na každej strane krytu a potom oddeľte kryt.

► **Obr.12:** 1. Uvoľňovacie tlačidlá 2. Kryt

2. Ak chcete odstrániť nadstavec skrutkovača, zatlačte a podržte hriadeľ v kryte prevodu a vytiahnite ho.

► **Obr.13:** 1. Nadstavec skrutkovača 2. Hriadeľ 3. Kryt prevodu

Montáž pásu so skrulkami

⚠ POZOR: Pri rezaní pásu so skrulkami zariadenie vždy vypnite a vyberte akumulátor.

Vsuňte pás so skrulkami do vodidla skrutiiek. Potom ho prestrkávajte cez skrinku podávača, kým prvá skrutka nedosiahne pozíciu vedľa skrulkovacej polohy.

► **Obr.14:** 1. Pás so skrulkami 2. Vodidlo pásu so skrulkami 3. Kryt 4. Vodidlo podávača skrutiiek 5. Skrinka podávača

UPOZORNENIE: Uistite sa, že ste nastavili prvú skrutku v druhom rade vedľa skrulkovacej polohy.

► **Obr.15:** 1. Prvá skrutka 2. Skrulkovacia poloha

Demontáž pásu so skrulkami

⚠ POZOR: Pred demontážou nadstavca vždy odstráňte pás so skrulkami.

Na odstránenie vytiahnite pás so skrulkami zo skrinky podávača.

► **Obr.16**

Pás so skrulkami sa dá potiahnuť nadol von zo skrinky podávača, pričom držíte stlačený prepínač zmeny smeru na skrinke podávača.

► **Obr.17:** 1. Prepínač zmeny smeru 2. Skrinka podávača

Montáž háku

⚠ VAROVANIE: Závesné/montážne diely použijte len na ich určený účel, napríklad na zavesenie nástroja za remeň nástroja medzi jednotlivými pracovnými intervalmi.

⚠ VAROVANIE: Dávajte pozor, aby ste nepreťažili hák, pretože nadmerná sila alebo nepravidelné preťaženie môže viesť k poškodeniu nástroja a následnému poraneniu osôb.

⚠ POZOR: Hák pri montáži vždy pevne zaistíte skrulkou. V opačnom prípade sa môže hák uvoľniť z nástroja a spôsobiť zranenie osôb.

⚠ POZOR: Pred pustením nástroja sa uistite, že je bezpečne zavesený. Nedostatočné alebo nevyvážené zavesenie môže viesť k pádu a môžete sa zraniť.

► **Obr.18:** 1. Drážka 2. Hák 3. Skrutka

Hák je vhodný na dočasné zavesenie nástroja. Môže sa namontovať na ktorúkoľvek stranu nástroja. Hák namontujete tak, že ho vložíte do ryhy na telese nástroja na ktorejkoľvek strane a potom ho zaistíte skrulkou. Vyberiete ho uvoľnením skrutičky.

Použitie otvoru

⚠ VAROVANIE: Nikdy nepoužívajte závesný otvor na iné účely, než na aké je určený, napríklad na upevnenie nástroja vo výškach. Namáhanie silno zaťaženého otvoru môže viesť k poškodeniu otvoru, výsledkom čoho môže byť poranenie vás alebo ľudí vo vašej blízkosti.

Používajte závesný otvor v zadnej spodnej časti nástroja na zavesenie nástroja na stenu použitím závesnej šnúry alebo podobného popruhu.

► **Obr.19:** 1. Závesný otvor

PRÁCA

Skrutkovanie

UPOZORNENIE: Pred skrutkovaním vždy dôkladne skontrolujte nastavec skrulkovača, či nie je opotrebovaný. Vymeňte nastavec skrulkovača, inak môžu byť výsledky skrutkovania nedostatočné.

UPOZORNENIE: Nástroj držte vždy kolmo na povrch skrutkovania. Ak ho držíte pod uhlom, môžu sa poškodiť hlavy skrutiiek a môže dôjsť k opotrebovaniu nadstavca skrulkovača. Výsledkom môže byť aj slabé upevnenie skrutičky.

UPOZORNENIE: Počas skrutkovania vždy držte nástroj pevne oproti ploche skrutkovania, kým sa proces skrutkovania nedokončí. V opačnom prípade môže dôjsť k nedostatočnému upevneniu skrutiiek.

UPOZORNENIE: Dávajte pozor, aby ste neskrutkovali skrutku na inú skrutku, ktorá už je priskrutkovaná.

UPOZORNENIE: Nástroj nepoužívajte bez skrutiiek. Poškodí sa povrch skrutkovania.

UPOZORNENIE: Na posuvnú plochu skrinky podávača nenanášajte olej ani mazivo.

Zapnite nástroj potiahnutím spúšťacieho prepínača. Držte nástroj priamo a pevne oproti skrutkovanému povrchu. Skrutka sa automaticky zavedie do skrulkovacej polohy a utiahne.

► **Obr.20**

Skrutkovanie v režime spustenia pri zatlačení

1. Miernie potiahnite spúšťací spínač a potom ho uvoľnite. Potom rýchlo stlačte tlačidlo výberu režimu.

Indikátor na voliči režimu spustenia pri zatlačení sa rozsvieti a režim spustenia pri zatlačení sa aktivuje.

► **Obr.21:** 1. Tlačidlo výberu režimu 2. Indikátor

2. Pri stlačení spúšťacieho spínača stlačte poistné tlačidlo a následne uvoľnite spúšťací spínač.

► **Obr.22:** 1. Poistné tlačidlo 2. Spúšťací spínač

POZNÁMKA: Keď je zvolený režim spustenia pri zatlačení a spúšťací spínač je zaistený, motor sa bez zaťaženia netočí, čím sa minimalizuje spotreba energie.

3. Držte nástroj rovno oproti skrutkovej ploche a priamo zatlačte na nástroj.

Skrutka sa automaticky posunie do polohy na skrutkovanie a zaskrutkuje sa pri plných otáčkach.

► **Obr.23**

Skrutkovanie v rohoch

▲POZOR: Skrutkovanie v polohách bližšie ako 15 mm k stene alebo skrutkovanie s pätkou zarážky v kontakte so stenou môže poškodiť hlavy skrutiek a môže dôjsť k opotrebovaniu nastavca skrutkovača. Výsledkom môže byť aj slabé upevnenie skrutiek a porucha nástroja.

Tento nástroj sa môže používať na skrutkovanie v polohe 15 mm od steny tak, ako je znázornené na obrázku.

► **Obr.24:** 1. Stena 2. Pätká zarážky 3. 15 mm

Odskrutkovanie

▲POZOR: Pred začatím činnosti vždy skontrolujte smer otáčania.

▲POZOR: Smer otáčania prepínajte až po úplnom zastavení nástroja. Pri zmene smeru otáčania pred úplným zastavením by sa mohol nástroj poškodiť.

Tento nástroj umožňuje jednoducho zmeniť smer otáčania nastavca skrutkovača buď doprava (v smere hodinových ručičiek) na dotiahnutie skrutky, alebo doľava (proti smeru hodinových ručičiek) na uvoľnenie skrutky.

1. Stlačte prepínaciu páčku smeru otáčania zo strany B na otáčanie proti smeru hodinových ručičiek.

► **Obr.25:** 1. Prepínacia páčka smeru otáčania

2. Stlačte a podržte uvoľňovacie tlačidlá na každej strane krytu a potom oddel'te kryt.

► **Obr.26:** 1. Uvoľňovacie tlačidlá 2. Kryt

3. Vložte hrot nastavca skrutkovača do hlavy skrutky, ktorá sa má uvoľniť.

4. Držte nástroj pevne oproti skrutke a začnite operáciu stlačením spúšťacieho spínača.

► **Obr.27:** 1. Nadstavec skrutkovača 2. Hlavička skrutky 3. Spúšťací spínač

5. Po dokončení činnosti dajte kryt späť na kryt prevodu, kým nezaskočí na svoje miesto.

ÚDRŽBA

▲POZOR: Pred vykonaním kontroly alebo údržby vždy skontrolujte, či je nástroj vypnutý a akumulátor je vybatý.

UPOZORNENIE: Nepoužívajte benzín, riedidlo, alkohol ani podobné látky. Mohlo by to spôsobiť zmenu farby, deformácie alebo praskliny.

Ak chcete udržať BEZPEČNOSŤ a BEZPORUCHOVOSŤ výrobku, prenechajte opravy, údržbu a nastavenie na autorizované alebo továrenské servisné centrá Makita, ktoré používajú len náhradné diely značky Makita.

Po použití

Poutierajte nástroj suchou handričkou alebo handričkou navlhčenou mydlovou vodou v pravidelných intervaloch.

VOLITEĽNÉ PRÍSLUŠENSTVO

▲POZOR: Pre váš nástroj Makita, opísaný v tomto návode, doporučujeme používať toto príslušenstvo a nástavce. Pri použití iného príslušenstva či nástavcov môže hroziť nebezpečenstvo zranenia osôb. Príslušenstvo a nástavce sa môžu používať len na účely pre ne stanovené.

Ak potrebujete bližšie informácie týkajúce sa tohoto príslušenstva, obráťte sa na vaše miestne servisné stredisko firmy Makita.

- Pás so skrutkami do sadrokartónu
- Vrták Philips
- Štvorcový nadstavec
- Křížový nadstavec
- Kryt
- Originálna batéria a nabíjačka Makita

POZNÁMKA: Niektoré položky zo zoznamu môžu byť súčasťou balenia nástrojov vo forme štandardného príslušenstva. Rozsah týchto položiek môže byť v každej krajine odlišný.

SPECIFIKACE

Model:	DFR452	DFR453	DFR551	DFR552
Šroubový pás	ø3,5 mm × 20 mm – ø4,2 mm × 41 mm		ø3,5 mm × 25 mm – ø4,2 mm × 55 mm	
Otáčky bez zatížení	0 – 6 000 min ⁻¹	0 – 4 500 min ⁻¹	0 – 6 000 min ⁻¹	0 – 4 500 min ⁻¹
Celková délka	360 mm		396 mm	
Jmenovité napětí	18 V DC			
Čistá hmotnost	1,9 – 2,2 kg			

- Vzhledem k neustálému výzkumu a vývoji zde uvedené technické údaje podléhají změnám bez upozornění.
- Specifikace se mohou pro různé země lišit.
- Hmotnost se může lišit v závislosti na nástavcích a přídatných zařízeních, včetně akumulátoru. Nejlehčí a nejtěžší kombinace, dle EPTA-Procedure 01/2014, jsou uvedeny v tabulce níže.

Použitelný akumulátor a nabíječka

Akumulátor	BL1815N / BL1820B / BL1830B / BL1840B / BL1850B / BL1860B
Nabíječka	DC18RC / DC18RD / DC18RE / DC18SD / DC18SE / DC18SF / DC18SH / DC18WC

- V závislosti na regionu vašeho bydliště nemusí být některé akumulátory a nabíječky k dispozici.

VAROVÁNÍ: Používejte pouze výše uvedené akumulátory a nabíječky. Použití jiných akumulátorů a nabíječek může způsobit zranění a/nebo požár.

Účel použití

Nářadí je určeno ke šroubování do dřeva, kovů a plastů.

Hlučnost

Typická vážená hladina hluku (A) určená podle normy EN62841-2-2:

Model	Hladina akustického tlaku (L _{pA}): (dB(A))	Nejistota (K): (dB(A))
DFR452	78	3
DFR453	79	3
DFR551	77	3
DFR552	78	3

Hladina hluku při práci může překročit hodnotu 80 dB (A).

POZNÁMKA: Celková(é) hodnota(y) emisí hluku byla(y) změřena(y) v souladu se standardní zkušební metodou a dá se použít k porovnání nářadí mezi sebou.

POZNÁMKA: Hodnotu(y) deklarovaných emisí hluku lze také použít k předběžnému posouzení míry expozice vibracím.

VAROVÁNÍ: Používejte ochranu sluchu.

VAROVÁNÍ: Emise hluku se při používání elektrického nářadí ve skutečnosti mohou od deklarované(ých) hodnot(y) lišit v závislosti na způsobech použití nářadí.

VAROVÁNÍ: Nezapomeňte stanovit bezpečnostní opatření na ochranu obsluhy podle odhadu expozice ve skutečných podmínkách použití. (Vezměte přitom v úvahu všechny části provozního cyklu, tj. kromě doby zátěže například doby, kdy je nářadí vypnuté a kdy běží naprázdno.)

Vibrace

Celková hodnota vibrací (vektorový součet tří os) určená podle normy EN62841-2-2:

Pracovní režim: obrusování ploch s normální boční rukojetí

Model	Emise vibrací (a _w): (m/s ²)	Nejistota (K): (m/s ²)
DFR452	2,5 m/s ² nebo méně	1,5 m/s ²
DFR453		
DFR551		
DFR552		

POZNÁMKA: Celková(é) hodnota(y) deklarovaných vibrací byla(y) změněna(y) v souladu se standardní zkušební metodou a dá se použít k porovnání nářadí mezi sebou.

POZNÁMKA: Celkovou(é) hodnotu(y) deklarovaných vibrací lze také použít k předběžnému posouzení míry expozice vibracím.

VAROVÁNÍ: Emise vibrací se při používání elektrického nářadí ve skutečnosti mohou od deklarované(y) hodnot(y) lišit v závislosti na způsobech použití nářadí.

VAROVÁNÍ: Nezapomeňte stanovit bezpečnostní opatření na ochranu obsluhy podle odhadu expozice ve skutečných podmínkách použití. (Vezměte přitom v úvahu všechny části provozního cyklu, tj. kromě doby zátěže například doby, kdy je nářadí vypnuté a kdy běží naprázdno.)

Prohlášení o shodě

Pouze pro evropské země

Prohlášení o shodě jsou obsažena v Příloze A tohoto návodu k obsluze.

BEZPEČNOSTNÍ VÝSTRAHY

Obecná bezpečnostní upozornění k elektrickému nářadí

VAROVÁNÍ Přečtěte si všechny bezpečnostní výstrahy i pokyny a prohlédněte si ilustrace a specifikace dodané k tomuto elektrickému nářadí. Nedodržení všech níže uvedených pokynů může vést k úrazu elektrickým proudem, požáru a/nebo vážnému zranění.

Všechna upozornění a pokyny si uschovejte pro budoucí potřebu.

Pojem „elektrické nářadí“ v upozorněních označuje elektrické nářadí, které se zapojuje do elektrické sítě, nebo elektrické nářadí využívající akumulátory.

Bezpečnostní varování k akumulátorovému šroubováku

1. Při práci v místech, kde může dojít ke kontaktu spojovacího prvku se skrytým elektrickým vedením, držte elektrické nářadí za izolované části držadel. Spojovací prvky mohou při kontaktu s vodičem pod napětím přenést proud do nechráněných částí nářadí a obsluha může utrpět úraz elektrickým proudem.
2. Vždy zaujměte stabilní postoj. Při práci s nářadím ve výškách dbejte, aby se pod vámi nepohybovaly žádné osoby.
3. Držte nářadí pevně.
4. Nepřibližujte ruce k otáčejícím se částem.

5. Nedotýkejte se bezprostředně po skončení práce nástroje ani obrobku. Mohou být velmi horké a mohly by způsobit popáleniny kůže.
6. Obrobek vždy upínáte do svěráku či do podobného upevňovacího zařízení.
7. Ujistěte se, že se v pracovní oblasti nenacházejí žádné elektrické kabely, vodovodní a plynové potrubí atd., které by při poškození v důsledku práce s nářadím mohly být zdrojem nebezpečí.

TYTO POKYNY USCHOVEJTE.

VAROVÁNÍ: NEDOVOLTE, aby pohodlnost nebo pocit znalosti výrobku (získaný na základě předchozího použití) vedl k zanedbání dodržování bezpečnostních pravidel platných pro tento výrobek.

NESPRÁVNÉ POUŽÍVÁNÍ či nedodržení bezpečnostních pravidel uvedených v tomto návodu k obsluze může způsobit vážné zranění.

Důležitá bezpečnostní upozornění pro akumulátor

1. Před použitím akumulátoru si přečtěte všechny pokyny a varovné symboly na (1) nabíječce, (2) akumulátoru a (3) výrobku využívajícím akumulátor.
2. Nerozebírejte akumulátor ani do něj nijak nezasahujte. Může dojít k požáru, nadměrnému zahřátí nebo výbuchu.
3. Pokud se příliš zkrátí provozní doba akumulátoru, přerušte okamžitě práci. V opačném případě existuje riziko přehřívání, popálení nebo dokonce výbuchu.
4. Budou-li vaše oči zasázeny elektrolytem, vypláchněte je čistou vodou a okamžitě vyhledejte lékařskou pomoc. Může dojít ke ztrátě zraku.
5. Akumulátor nezkratujte:
 - (1) Nedotýkejte se svorek žádným vodivým materiálem.
 - (2) Neskladujte akumulátor v nádobě s jinými kovovými předměty, jako jsou hřebíky, mince, apod.
 - (3) Nevystavuje akumulátor vodě a dešti. Zkrat akumulátoru může způsobit velký průtok proudu, přehřátí, možné popálení a dokonce i poruchu.
6. Neskladujte a nepoužívejte nářadí a akumulátor na místech, kde může teplota překročit 50 °C (122 °F).
7. Nespalujte akumulátor, ani když je vážně poškozen nebo úplně opotřeben. Akumulátor může v ohni vybuchnout.
8. Akumulátor nesmí být proražen hřebíkem, řezán, drcen, házen či upuštěn na zem, ani nesmí dojít k nárazu tvrdého předmětu do něj. Taková situace může způsobit požár, nadměrné zahřátí či výbuch.
9. Nepoužívejte poškozené akumulátory.
10. Obsažené lithium-iontové akumulátory podléhají právním požadavkům na nebezpečné

zboží.

V případě komerční přepravy například externími dopravci je třeba dodržet zvláštní požadavky na balení a značení.

Pro přípravu zboží k přepravě je nutná konzultace s odborníkem na nebezpečný materiál. Dodržujte také případné podrobnější národní předpisy.

Odkryté kontakty přelepte izolační páskou či jinak zakryjte a akumulátory zabalte tak, aby se v balení nemohly pohybovat.

11. Při likvidaci akumulátoru jej vyjměte z nářadí a zlikvidujte jej na bezpečném místě. Při likvidaci akumulátoru postupujte podle místních předpisů.
12. Akumulátor používejte pouze s výrobky specifikovanými společností Makita. Instalace akumulátoru do nevhovujících výrobků může způsobit požár, nadměrné zahřívání, explozi nebo únik elektrolytu.
13. Pokud nářadí delší dobu nepoužíváte, je nutné z něj akumulátor vyjmout.
14. Během a po použití se může akumulátor zahřát, což může způsobit popáleniny nebo podráždění. Při manipulaci s horkými akumulátory dávejte pozor.
15. Nedotýkejte se koncovky na nářadí ihned po použití, protože ta může být horká a způsobit popáleniny.
16. Do koncovek, otvorů a zdiřek na akumulátoru se nesmí dostat piliny, prach nebo jiné nečistoty. To může způsobit zahřátí, vznícení, prasknutí a poruchu nářadí nebo akumulátoru, což může vést k popáleninám nebo zranění osob.
17. Jestliže nářadí není zkonstruováno tak, že jej lze používat v blízkosti vysokého elektrického napětí, nepoužívejte akumulátor poblíž vedení s vysokým elektrickým napětím. Mohlo by tím dojít k poruše či selhání nářadí či akumulátoru.
18. Akumulátor uchovávejte mimo dosah dětí.

TYTO POKYNY USCHOVEJTE.

⚠️ UPOZORNĚNÍ: Používejte pouze originální akumulátory Makita. Používání neoriginálních nebo upravených akumulátorů může způsobit explozi akumulátoru a následný požár, zranění a jiné poškození. Zaniká tím také záruka společnosti Makita na nářadí a nabíječku Makita.

Tipy k zajištění maximální životnosti akumulátoru

1. Akumulátor nabíjte dříve, než dojde k jeho úplnému vybití. Pokud si povšimnete sníženého výkonu nářadí, vždy jej zastavte a dobijte akumulátor.
2. Nikdy nenabíjete úplně nabitý akumulátor. Přebíjení zkracuje životnost akumulátoru.
3. Akumulátor dobíjete při pokojové teplotě od 10 °C do 40 °C (50 °F až 104 °F). Před nabíjením nechejte horký akumulátor vychladnout.
4. Když není akumulátor používán, vyjměte ho z nářadí či nabíječky.
5. Pokud se akumulátor delší dobu nepoužívá (déle než šest měsíců), je nutno jej dobít.

POPIS FUNKCE

⚠️ UPOZORNĚNÍ: Před nastavováním nářadí nebo kontrolou jeho funkce se vždy přesvědčte, zda je vypnuté a je vyjmutý akumulátor.

Nasazení a sejmutí akumulátoru

⚠️ UPOZORNĚNÍ: Před nasazením či sejmutím akumulátoru nářadí vždy vypněte.

⚠️ UPOZORNĚNÍ: Při nasazování či snímání akumulátoru pevně držte nářadí i akumulátor. V opačném případě vám může nářadí nebo akumulátor vyklouznout z rukou a mohlo by dojít k jejich poškození či ke zranění.

Při nasazování akumulátoru vyrovnejte jazýček na bloku akumulátoru s drážkou v krytu a zasuňte akumulátor na místo. Akumulátor zasuňte na doraz, až zacvakne na své místo. Neří-li zcela zajištěn, uvidíte červený indikátor dle obrázků.

Chcete-li akumulátor sejmout, vysuňte jej se současným přesunutím tlačítka na přední straně akumulátoru.

- **Obr.1:** 1. Červený indikátor 2. Tlačítko 3. Akumulátor

⚠️ UPOZORNĚNÍ: Akumulátor zasunujte vždy zcela tak, aby nebyl červený indikátor vidět. Jinak by mohl akumulátor ze zařízení vypadnout a způsobit zranění obsluze či přihlížejícím osobám.

⚠️ UPOZORNĚNÍ: Akumulátor nenasazujte násilím. Nelze-li akumulátor zasunout snadno, nekláďte jej správně.

Systém ochrany nářadí a akumulátoru

Nářadí je vybaveno systémem ochrany nářadí a akumulátoru. Tento systém automaticky přeruší napájení motoru, aby se prodloužila životnost nářadí a akumulátoru. Budou-li nářadí nebo akumulátor vystaveny některé z níže uvedených podmínek, nářadí se během provozu automaticky vypne:

Ochrana proti přetížení

Pokud se s nástrojem/akumulátorem pracuje způsobem vyvolávajícím mimořádně vysoký odběr proudu, nástroj se automaticky vypne. V takové situaci nástroj vypněte a ukončete činnost, při níž došlo k přetížení nástroje. Potom nástroj zapněte a obnovte činnost.

Ochrana proti přehřátí

Když se nářadí či akumulátor přehřeje, automaticky se vypne. V takovém případě nechte nářadí či akumulátor před opětovným zapnutím vychladnout.

Ochrana proti přílišnému vybití

V případě nedostačující kapacity akumulátoru se nářadí automaticky vypne. V takovém případě vyjměte akumulátor z nářadí a nabijte jej.

Ochrana proti jiným závadám

Ochranný systém je také navržen i pro jiné příčiny, které by mohly nářadí poškodit, a umožňuje automatické zastavení nářadí. Když se nářadí dočasně pozastaví nebo přestane pracovat, proveďte veškeré následující kroky k odstranění příčin.

1. Restartujte nářadí jeho vypnutím a opětovným zapnutím.
2. Nabijte akumulátor(y) nebo jej (je) vyměňte za nabitý (nabité).
3. Nechte nářadí a akumulátor(y) vychladnout.

Pokud se obnovou ochranného systému nedosáhne žádného zlepšení, obraťte se na místní servisní středisko Makita.

Indikátor výstrahy

Kontrolka na voliči režimu spuštění přitlakem upozorní červenými blikajícími světly, když nářadí pracuje za následujících provozních podmínek.

► **Obr.2:** 1. Kontrolka

Stav kontrolky	Příčiny	Nápravy
Rychlé blikání (intervaly přibližně jedné třetiny sekundy)	Akumulátor je téměř vybitý	Nabijte akumulátor při nejbližší příležitosti.
Zpožděné blikání (přibližně sekundové intervaly)	Došlo k přehřátí	Před opětovným zapnutím nechte nářadí vychladnout.

POZNÁMKA: V závislosti na stavu akumulátoru a provozních podmínkách se může zobrazit výstraha před vybitím.

Indikace zbývajcí kapacity akumulátoru

Pouze pro akumulátory s diodovým ukazatelem

Stisknutím tlačítka kontroly na akumulátoru zjistíte zbývajcí kapacitu akumulátoru. Kontrolky indikátoru se na několik sekund rozsvítí.

► **Obr.3:** 1. Kontrolky 2. Tlačítko kontroly

Kontrolky			Zbývajcí kapacita
Svítil	Nesvítil	Bliká	
■	□	◻	75 % až 100 %
■ ■ ■ ■	□ □ □ □	◻	
■ ■ ■ ■	□ □ □ □	◻	50 % až 75 %
■ ■ ■ ■	□ □ □ □	◻	25 % až 50 %
■ ■ ■ ■	□ □ □ □	◻	0 % až 25 %
◻	□ □ □ □	◻	Nabijte akumulátor.
■ ■ ■ ■	□ □ □ □	◻	Došlo pravděpodobně k poruše akumulátoru.
□ □ □ □	■ ■ ■ ■	◻	

POZNÁMKA: Kapacita udávaná indikátorem se může mírně lišit od skutečné kapacity v závislosti na podmínkách používání a teplotě prostředí.

POZNÁMKA: První kontrolka (zcela vlevo) bude blikat, když je systém ochrany akumulátoru v provozu.

Nastavení požadovaných délek šroubů

Pro model DFR452/DFR453

Nářadí poskytuje 4 nastavení délky šroubu s pozitivním zajištěním. Vysuňte a zasuňte základnu dorazu a současně stlačte páčku na horním povrchu základny dorazu tak, aby se v okénku pro odečet zobrazilo číslo požadované délky šroubu (uvedené na štítku). V následující tabulce najdete podrobnosti o číslech přidělených požadovaným délkám šroubů.

► **Obr.4:** 1. Základna dorazu 2. Páčka 3. Deska 4. Skříň

Číslo uvedené na štítku	Rozsahy délek šroubů
20	20 mm (13/16")
25	25 mm – 28 mm (1" – 1-1/8")
32	28 mm – 35 mm (1-1/8" – 1-3/8")
41	35 mm – 41 mm (1-3/8" – 1-5/8")

Pro model DFR551/DFR552

Nářadí poskytuje 7 nastavení délky šroubu s pozitivním zajištěním. Vysuňte a zasuňte základnu dorazu a současně stlačte páčku na horním povrchu základny dorazu tak, aby se v okénku pro odečet zobrazilo číslo požadované délky šroubu (uvedené na štítku). V následující tabulce najdete podrobnosti o číslech přidělených požadovaným délkám šroubů.

► **Obr.5:** 1. Základna dorazu 2. Páčka 3. Deska 4. Skříň

Číslo uvedené na štítku	Rozsahy délek šroubů
25	25 mm (1")
30	25 mm – 30 mm (1" – 1-3/16")
35	30 mm – 35 mm (1-3/16" – 1-3/8")
40	35 mm – 40 mm (1-3/8" – 1-9/16")
45	40 mm – 45 mm (1-9/16" – 1-3/4")
50	45 mm – 50 mm (1-3/4" – 2")
55	50 mm – 55 mm (2" – 2-3/16")

Nastavení hloubek šroubování

Stiskněte přední stranu základny dorazu a držte podavač až na doraz do pouzdra. Ponechte v této poloze a otočte regulačním knoflíkem tak, aby hrot bitové nástroje šroubovacího bitu vyčníval přibližně 6 mm z přední části základny dorazu.

Zašroubujte zkušební šroub. Pokud je hlava šroubu výše nad povrchem obrobku, otočte regulačním knoflíkem ve směru A; pokud je hlava šroubu pod povrchem, otočte regulačním knoflíkem ve směru B.

► **Obr.6:** 1. Přibližně 6 mm 2. Základna dorazu 3. Podavač 4. Skříň 5. Regulační knoflík

Zapínání

VAROVÁNÍ: Před vložením akumulátoru do nářadí vždy zkontrolujte správnou funkci spouště, a zda se po uvolnění vrací do vypnuté polohy.

Chcete-li nářadí uvést do chodu, stiskněte spoušť. Otáčky nářadí se zvyšují zvyšováním tlaku na spoušť. Chcete-li nářadí vypnout, uvolněte spoušť. Chcete-li pracovat v nepřetržitém provozu, stiskněte spoušť, zamáčkněte blokovací tlačítko a potom spoušť uvolněte. Jestliže chcete nářadí v aretované poloze vypnout, stiskněte zcela spoušť a zase ji uvolněte.

► **Obr.7:** 1. Spínač 2. Blokovací tlačítko

Přepínání směru otáčení

UPOZORNĚNÍ: Před zahájením provozu vždy zkontrolujte nastavený směr otáčení.

UPOZORNĚNÍ: Směr otáčení přepínejte až po úplném zastavení nářadí. Provedete-li změnu směru otáčení před zastavením nářadí, může dojít k jeho poškození.

UPOZORNĚNÍ: Pokud nářadí nepoužíváte, vždy přesuňte přepínací páčku směru otáčení do neutrální polohy.

Toto nářadí je vybaveno přepínačem směru otáčení. Stisknutím přepínací páčky směru otáčení ze strany A se nástroj otáčí ve směru hodinových ručiček, zatímco při stisknutí ze strany B proti směru hodinových ručiček. Je-li přepínací páčka směru otáčení v neutrální poloze, nelze stisknout spoušť nářadí.

► **Obr.8:** 1. Přepínací páčka směru otáčení

Režim spuštění přitlakem

V režimu spuštění přitlakem se šroubovací bit otáčí pouze vyvíjením tlaku základnu dorazu na šroubovací plochu, což umožňuje nářadí odpojit napájení motoru, aby se šetřila energie akumulátoru při volnoběhu.

Režim spuštění přitlakem zapnete lehkým stisknutím spouště, jejím uvolněním a rychlým stisknutím tlačítka volby režimu. Poté se rozsvítí kontrolka na voliči režimu spuštění přitlakem.

► **Obr.9:** 1. Tlačítko volby režimu 2. Kontrolka

POZNÁMKA: Režim spuštění přitlakem bude automaticky deaktivován po osmi hodinách, kdy je spoušť zajištěna a nedošlo k jakékoli operaci s ní. Chcete-li nářadí restartovat, zcela stiskněte spoušť, abyste uvolnili blokovací tlačítko, a znovu stiskněte spoušť.

Funkce prevence neúmyslného opětovného spuštění

Nářadí se nespustí ani při vkládání akumulátoru při stisknutí spoušti.

Nářadí spustíte nejprve uvolněním spouště a následným stisknutím spouště.

MONTÁŽ

UPOZORNĚNÍ: Před prováděním jakýchkoli prací na nářadí se vždy přesvědčte, zda je vypnuté a je vyjmutý akumulátor.

Instalace a demontáž šroubovacího bitu

UPOZORNĚNÍ: Při zpětné montáži součástí a příslušenství se nedotýkejte ostrých hran šroubů.

UPOZORNĚNÍ: S příslušenstvím a nástavci zacházejte opatrně. Při instalaci a demontáži vždy pevně držte tělo příslušenství a nástavců. V opačném případě mohou příslušenství a nástavce vyklouznout z rukou a spadnout.

UPOZORNĚNÍ: Při instalaci a demontáži nástavce držte pouzdro.

UPOZORNĚNÍ: Při výměně bitu vždy vypněte a vyjměte akumulátor.

Instalace šroubovacího bitu

1. Chcete-li nainstalovat šroubovací bit, zasuňte jej do otvoru vřetena až na doraz, přičemž zatlačte vřeteno do skříňné převodovky a podržte. Potom šroubovací bit uvolněním vřetena zajistěte.

► **Obr.10:** 1. Šroubovací bit 2. Vřeteno 3. Skříň převodovky

2. Zatlačte pouzdro do skříňné převodovky, a přitom pevně držte tělo pouzdra, dokud uvolňovací tlačítka na obou stranách pouzdra nezapadnou na místo s malým cvaknutím.

► **Obr.11:** 1. Pouzdro 2. Uvolňovací tlačítka

Demontáž šroubovacího bitu

1. Stiskněte a podržte uvolňovací tlačítka na obou stranách pouzdra a poté jej roztáhněte.

► **Obr.12:** 1. Uvolňovací tlačítka 2. Pouzdro

2. Chcete-li šroubovací bit vyjmout, vytáhněte jej a současně zatlačte vřeteno do skříňné převodovky a podržte.

► **Obr.13:** 1. Šroubovací bit 2. Vřeteno 3. Skříň převodovky

Instalace pásu šroubů

UPOZORNĚNÍ: Při řezání šroubového pásu vždy vypněte a vyjměte akumulátor.

Vložte pás šroubů přes vodičko šroubů. Poté jej prostrčte komorou zásobníku, dokud první šroub nedosáhne polohy vedle místa šroubování.

► **Obr.14:** 1. Šroubový pás 2. Vodič šroubového pásu 3. Pouzdro 4. Vodič zavádění šroubu 5. Podavač

POZOR: Nezapomeňte nasadit první šroub do druhé řady vedle polohy šroubování.

► **Obr.15:** 1. První šroub 2. Poloha šroubování

Odstranění pásu šroubů

⚠ UPOZORNĚNÍ: Před demontáží nástavce vždy sejměte šroubový pás.

Chcete-li vyjmout šroubový pás, vytáhněte jej směrem nahoru z podavače.

► **Obr.16**

Šroubový pás lze také vytáhnout směrem dolů z podavače, jestliže je současně stisknuto tlačítko otočení na podavači.

► **Obr.17:** 1. Tlačítko otočení 2. Podavač

Instalace háčku

⚠ VAROVÁNÍ: Závěsné/montážní díly používejte jen k jejich předepsanému účelu, např. zavěšování nářadí na opasek mezi jednotlivými úkoly nebo o přestávkách.

⚠ VAROVÁNÍ: Nepřetěžujte háček, jelikož příliš velká síla nebo nepravidelné přetěžování může vést k poškození nářadí a následnému zranění.

⚠ UPOZORNĚNÍ: Při instalaci háčku ho vždy pevně utáhněte šroubem. Jinak by se mohl háček uvolnit z nástroje a způsobit zranění.

⚠ UPOZORNĚNÍ: Před uvolněním stisku vždy nářadí bezpečně zavěste. Nedostatečné nebo nevyvážené zavěšení může způsobit spadnutí nářadí a zranění.

► **Obr.18:** 1. Drážka 2. Háček 3. Šroub

Háček je vhodný k dočasnému pověšení nářadí. Lze jej nainstalovat na obou stranách nářadí. Při instalaci háčku jej vložte do drážky na jedné ze stran krytu nářadí a zajistěte jej šroubem. Chcete-li jej odstranit, uvolněte šroub a vyjměte jej.

Použití otvoru

⚠ VAROVÁNÍ: Nikdy nepoužívejte závěsný otvor k účelu, ke kterému není určený, např. k uvázání nářadí ve výšce. Přílišné zatěžování závěsného otvoru může způsobit jeho poškození s následným zraněním vás a osob zdržujících se kolem vás či pod vámi.

Závěsný otvor ve spodní zadní části nářadí použijte k zavěšení nářadí na stěnu pomocí závěsného lanka či podobných vázacích prostředků.

► **Obr.19:** 1. Závěsný otvor

PRÁCE

Šroubování

POZOR: Před šroubováním vždy řádně zkontrolujte šroubovací bit, zda nejeví známky opotřebení. Opotřebený šroubovací bit vyměňte, aby nedošlo k nedostatečnému utažení.

POZOR: Nářadí vždy držte kolmo ke šroubovanému povrchu. Držení pod úhlem může poškodit hlavy šroubů a způsobit opotřebení šroubovacího bitu. Může to také způsobit nedostatečné utažení.

POZOR: Vždy držte nářadí pevně proti šroubovanému povrchu, dokud není šroubování dokončeno. V opačném případě může dojít k nedostatečnému utažení šroubů.

POZOR: Dávejte pozor, abyste nešroubovali šroub do již dříve zašroubovaného šroubu.

POZOR: Nespouštějte nářadí bez vsazených šroubů. Mohlo by dojít k poškození šroubovaného povrchu.

POZOR: Nenanášejte olej ani mazivo na kluzný povrch podavače.

Nástroj se uvádí do chodu stisknutím spouště. Nástroj držte přímo a pevně proti povrchu, do kterého šroubovate. Šroub bude automaticky přenesen na místo šroubování a utažen.

► **Obr.20**

Šroubování v režimu spuštění přtlakem

1. Lehce stiskněte spoušť a uvolněte ji. Poté rychle stiskněte tlačítko volby režimu.

Rozsvítí se kontrolka na voliči režimu spuštění přtlakem a aktivuje se režim spuštění přtlakem.

► **Obr.21:** 1. Tlačítko volby režimu 2. Kontrolka

2. Zatlačte blokovací tlačítko, zatímco tisknete spoušť, pak spoušť uvolněte.

► **Obr.22:** 1. Blokovací tlačítko 2. Spoušť

POZNÁMKA: Při volbě režimu spuštění přtlakem a zajištění spouště se motor při nulové zátěži neotáčí, čímž se spoří energie.

3. Podržte nářadí kolmo proti šroubovanému povrchu a vyvíjejte na něj tlak směrem dopředu.

Šroub bude automaticky přenesen do šroubovací polohy a zašroubován při plných otáčkách.

► **Obr.23**

Šroubování v rozích

⚠ UPOZORNĚNÍ: Šroubování v poloze menší než 15 mm od stěny nebo se základnou dorazu v kontaktu se stěnou může poškodit hlavy šroubů a způsobit opotřebení šroubovacího bitu. Může to také vést k nedostatečnému utažení šroubů a nesprávné funkci nářadí.

Toto nářadí lze používat ke šroubování v poloze 15 mm od stěny, viz obrázek.

► **Obr.24:** 1. Stěna 2. Základna dorazu 3. 15 mm

Povolení šroubu

⚠ UPOZORNĚNÍ: Před zahájením provozu vždy zkontrolujte nastavený směr otáčení.

⚠ UPOZORNĚNÍ: Směr otáčení přepínejte až po úplném zastavení nářadí. Provedete-li změnu směru otáčení před zastavením nářadí, může dojít k jeho poškození.

Nářadí umožňuje snadnou změnu směru otáčení šroubovacího bitu, buď doprava (ve směru hodinových ručiček) pro utažení šroubu, nebo doleva (proti směru hodinových ručiček) pro povolení šroubu.

1. Stiskněte přepínací páčku směru otáčení ze strany B pro otáčení proti směru hodinových ručiček.

► **Obr.25:** 1. Přepínací páčka směru otáčení

2. Stiskněte a podržte uvolňovací tlačítka na obou stranách pouzdra a poté jej roztáhněte.

► **Obr.26:** 1. Uvolňovací tlačítka 2. Pouzdro

3. Vložte hrot šroubovacího bitu do hlavy šroubu, který má být povolen.

4. Pevně podržte nářadí proti šroubu a stiskněte spoušť.

► **Obr.27:** 1. Šroubovací bit 2. Hlava šroubu 3. Spoušť

5. Po dokončení operace vraťte pouzdro na skříň převodovky, dokud nezapadne na místo.

ÚDRŽBA

⚠ UPOZORNĚNÍ: Před zahájením kontroly nebo údržby nářadí se vždy ujistěte, zda je vypnuté a je vyjmut akumulátor.

POZOR: Nikdy nepoužívejte benzín, benzen, ředidlo, alkohol či podobné prostředky. Mohlo by tak dojít ke změnám barvy, deformacím či vzniku prasklin.

K zachování BEZPEČNOSTI a SPOLEHLIVOSTI výrobku musí být opravy a veškerá další údržba či seřizování prováděny autorizovanými nebo továrními servisními středisky společnosti Makita s využitím náhradních dílů Makita.

Činnosti po ukončení práce

Nářadí otřete suchým hadříkem nebo hadříkem mírně navlhčeným mýdlovou vodou v pravidelných intervalech.

VOLITELNÉ PŘÍSLUŠENSTVÍ

⚠ UPOZORNĚNÍ: Pro nářadí Makita popsané v tomto návodu doporučujeme používat následující příslušenství a nástavce. Při použití jiného příslušenství či nástavců může hrozit nebezpečí zranění osob. Příslušenství lze používat pouze pro stanovené účely.

Potřebujete-li bližší informace ohledně tohoto příslušenství, obraťte se na místní servisní středisko společnosti Makita.

- Pás vrutů do sádrokartonu
- Křížový nástavec
- Čtvercový bit
- Křížový bit PZ
- Pouzdro
- Originální akumulátor a nabíječka Makita

POZNÁMKA: Některé položky seznamu mohou být k nářadí přibaleny jako standardní příslušenství. Přibalené příslušenství se může v různých zemích lišit.

ТЕХНІЧНІ ХАРАКТЕРИСТИКИ

Модель:	DFR452	DFR453	DFR551	DFR552
Стрічка з гвинтами	ø3,5 мм × 20 мм – ø4,2 мм × 41 мм		ø3,5 мм × 25 мм – ø4,2 мм × 55 мм	
Швидкість холостого ходу	0 – 6 000 хв ⁻¹	0 – 4 500 хв ⁻¹	0 – 6 000 хв ⁻¹	0 – 4 500 хв ⁻¹
Загальна довжина	360 мм		396 мм	
Номинальна напруга	18 В пост. струму			
Маса нетто	1,9 – 2,2 кг			

- Оскільки наша програма наукових досліджень і розробок триває безперервно, наведені тут технічні характеристики можуть бути змінені без попередження.
- У різних країнах технічні характеристики можуть бути різними.
- Вага може відрізнятись залежно від допоміжного обладнання, наприклад касети з акумулятором. Найлегші та найважчі комплекти, відповідно до стандарту ЕРТА (Європейська асоціація виробників електроінструменту) від січня 01/2014 року, представлено в таблиці.

Застосовна касета з акумулятором і зарядний пристрій

Касета з акумулятором	BL1815N / BL1820B / BL1830B / BL1840B / BL1850B / BL1860B
Зарядний пристрій	DC18RC / DC18RD / DC18RE / DC18SD / DC18SE / DC18SF / DC18SH / DC18WC

- Деякі касети з акумулятором і зарядні пристрої, які вказано вище, можуть бути недоступними залежно від вашого регіону або місця перебування.

⚠ПОПЕРЕДЖЕННЯ: Використовуйте лише касети з акумулятором і зарядні пристрої, перелічені вище. Використання будь-яких інших касет з акумулятором і зарядних пристроїв може призвести до травмування й/або пожежі.

Призначення

Інструмент призначено для вкручування гвинтів у деревину, метал та пластмасу.

Шум

Рівень шуму за шкалою А в типовому виконанні, визначений відповідно до стандарту EN62841-2-2:

Модель	Рівень звукового тиску (L _{ра}): (дБ (А))	Похибка (К): (дБ (А))
DFR452	78	3
DFR453	79	3
DFR551	77	3
DFR552	78	3

Рівень шуму під час роботи може перевищувати 80 дБ (А).

ПРИМІТКА: Заявлене значення шуму було виміряно відповідно до стандартних методів тестування й може використовуватися для порівняння одного інструмента з іншим.

ПРИМІТКА: Заявлене значення шуму може також використовуватися для попереднього оцінювання впливу.

⚠ПОПЕРЕДЖЕННЯ: Користуйтеся засобами захисту органів слуху.

⚠ПОПЕРЕДЖЕННЯ: Залежно від умов використання рівень шуму під час фактичної роботи електроінструмента може відрізнятись від заявленого значення вібрації; особливо сильно на це впливає тип деталі, що оброблюється.

⚠ПОПЕРЕДЖЕННЯ: Забезпечте належні запобіжні заходи для захисту оператора, що відповідатимуть умовам використання інструмента (слід брати до уваги всі складові робочого циклу, як-от час, коли інструмент вимкнено та коли він починає працювати на холостому ході під час запуску).

Вібрація

Загальна величина вібрації (векторна сума трьох напрямків) визначена згідно з EN62841-2-2:

Режим роботи: шліфування поверхні за допомогою звичайної бокової рукоятки

Модель	Розповсюдження вібрації (a _h): (м/с ²)	Похибка (К): (м/с ²)
DFR452	2,5 м/с ² або менше	1,5 м/с ²
DFR453		
DFR551		
DFR552		

ПРИМІТКА: Заявлене загальне значення вібрації було виміряно відповідно до стандартних методів тестування й може використовуватися для порівняння одного інструмента з іншим.

ПРИМІТКА: Заявлене загальне значення вібрації може також використовуватися для попереднього оцінювання впливу.

▲ПОПЕРЕДЖЕННЯ: Залежно від умов використання вібрація під час фактичної роботи електроінструмента може відрізнятися від заявленого значення вібрації; особливо сильно на це впливає тип деталі, що оброблюється.

▲ПОПЕРЕДЖЕННЯ: Забезпечте належні запобіжні заходи для захисту оператора, що відповідатимуть умовам використання інструмента (слід брати до уваги всі складові робочого циклу, як-от час, коли інструмент вимкнено та коли він починає працювати на холостому ході під час запуску).

Декларації відповідності

Тільки для країн Європи

Декларації відповідності наведено в Додатку А цієї інструкції з експлуатації.

ПОПЕРЕДЖЕННЯ ПРО ДОТРИМАННЯ ТЕХНІКИ БЕЗПЕКИ

Загальні застереження щодо техніки безпеки при роботі з електроінструментами

▲ПОПЕРЕДЖЕННЯ Уважно ознайомтеся з усіма попередженнями, інструкціями, рисунками й технічними характеристиками, які стосуються цього електроінструмента. Невиконання наведених далі інструкцій може призвести до ураження електричним струмом, пожежі й (або) тяжких травм.

Збережіть усі інструкції з техніки безпеки та експлуатації на майбутнє.

Термін «електроінструмент», зазначений у інструкції з техніки безпеки, стосується електроінструмента, який функціонує від електромережі (електроінструмент з кабелем живлення), або електроінструмента з живленням від батареї (безпроводний електроінструмент).

Попередження про небезпеку під час роботи з бездротовим шурупвертом

1. Тримайте електроприлад за ізольовані поверхні держака під час виконання дії, за якої кріпильний виріб може зачепити сховану проводку. Торкання кріпильною деталлю дроту під напругою може призвести до передавання напруги до оголених металевих частин інструмента та до ураження оператора електричним струмом.
2. Обв'язково забезпечте надійну опору. При виконанні робіт з інструментом на висоті переконайтеся, що внизу нікого немає.
3. Тримайте інструмент міцно.
4. Не наближайте руки до деталей, що обертаються.
5. Не торкайтеся свердла або оброблюваної деталі одразу після різання; вони можуть бути дуже гарячими, і це може призвести до опіку шкіри.
6. Оброблювану деталь обов'язково необхідно затискати в лещатах або подібному пристрої фіксації.
7. Переконайтеся у відсутності електричних кабелів, водопровідних і газових труб тощо, які можуть становити небезпеку в разі пошкодження їх інструментом.

ЗБЕРІГАЙТЕ ЦІ ВКАЗІВКИ.

▲ПОПЕРЕДЖЕННЯ: НІКОЛИ НЕ втрачайте пильності та не розслабляйтеся під час користування виробом (що можливо при частому користуванні); обов'язково строго дотримуйтеся відповідних правил безпеки.

НЕНАЛЕЖНЕ ВИКОРИСТАННЯ або недотримання правил техніки безпеки, викладених у цій інструкції з експлуатації, може призвести до серйозних травм.

Важливі інструкції з безпеки для касети з акумулятором

1. Перед тим як користуватися касетою з акумулятором, слід прочитати всі інструкції та застережні знаки щодо (1) зарядного пристрою акумулятора, (2) акумулятора та (3) виробів, що працюють від акумулятора.
2. Не розбирайте касету з акумулятором і не змінюйте її конструкцію. Це може призвести до пожежі, перегріву або вибуху.
3. Якщо період роботи дуже покоротшав, слід негайно припинити користування. Це може призвести до виникнення ризику перегріву, опіку та навіть вибуху.
4. У разі потрапляння електроліту в очі слід промити їх чистою водою та негайно звернутися до лікаря. Це може призвести до втрати зору.

5. Не закоротіть касету з акумулятором.
 - (1) Не слід торкатися клем будь яким струмопровідним матеріалом.
 - (2) Не слід зберігати касету з акумулятором у ємності з іншими металевими предметами, такими як цвяхи, монети тощо.
 - (3) Не залишайте касету з акумулятором під дощем, запобігайте контакту з водою.

Коротке замикання може призвести до появи значного струму, перегріву, можливих опіків та навіть виходу з ладу.
6. Не слід зберігати й використовувати інструмент і касету з акумулятором у місцях, де температура може сягнути чи перевищити 50 °C (122 °F).
7. Не слід спалювати касету з акумулятором, навіть якщо вона була неодноразово пошкоджена або повністю спрацьована. Касета з акумулятором може вибухнути у вогні.
8. Заборонено забивати цвяхи в касету з акумулятором, різати, ламати, кидати, впускати касету з акумулятором або вдаряти її твердим предметом. Це може призвести до пожежі, перегріву або вибуху.
9. Не слід використовувати пошкоджений акумулятор.
10. Літій-іонні акумулятори, що містяться в інструменті, мають відповідати вимогам законів про небезпечні товари. Під час транспортування за допомогою комерційних перевезень, наприклад із залученням третьої сторони та експедиторів, необхідно дотримуватись особливих вимог, вказаних на пакуванні й у маркуванні. Під час підготування позиції до відправлення необхідно проконсультуватись зі спеціалістом з небезпечних матеріалів. Крім того, слід виконувати більш докладні національні настанови, якщо такі є. Заклейте відкриті контакти стрічкою або заховайте їх і запакуйте акумулятор таким чином, щоб він не міг рухатися в пакуванні.

11. Для утилізації касети з акумулятором витягніть її з інструмента та утилізуйте безпечним способом. Дотримуйтеся норм місцевого законодавства щодо утилізації акумуляторів.
12. Використовуйте акумулятори лише з виробами, указаними компанією Makita. Установлення акумуляторів у невідповідні вироби може призвести до пожежі, надмірного нагрівання, вибуху чи витoku електроліту.
13. Якщо інструментом не користуватимуться протягом тривалого періоду часу, вийміть акумулятор з інструмента.
14. Під час і після використання касета з акумулятором може нагріватися, що може стати причиною опіків або низькотемпературних опіків. Будьте обережні під час поводження з гарячою касетою з акумулятором.
15. Не торкайтеся контактів інструмента відразу після використання, оскільки він може бути досить гарячим, щоб викликати опіки.
16. Не допускайте, щоб уламки, пил або земля прилипали до контактів, отворів і пазів на касеті з акумулятором. Це може призвести до перегріву, займання, вибуху та виходу з ладу інструмента або касети з акумулятором і спричинити опіки або травми.
17. Якщо інструмент не розраховано на використання поблизу високовольтних ліній електропередач, не використовуйте касету з акумулятором поблизу високовольтних ліній електропередач. Це може призвести до несправності, поломки інструмента або касети з акумулятором.
18. Тримайте акумулятор у недоступному для дітей місці.

ЗБЕРІГАЙТЕ ЦІ ВКАЗІВКИ.

▲ОБЕРЕЖНО: Використовуйте тільки акумулятори Makita. Використання акумуляторів, інших ніж оригінальні акумулятори Makita, або акумуляторів, конструкцію яких було змінено, може призвести до вибуху акумулятора і спричинити пожежу, травму або пошкодження. У зв'язку з цим також буде анульовано гарантію Makita на інструмент Makita і на зарядний пристрій.

Поради з забезпечення максимального строку експлуатації акумулятора

1. Касету з акумулятором слід заряджати до того, як він розрядиться повністю. Завжди слід зупиняти роботу інструмента та зарядити акумулятор, якщо ви помітили зменшення потужності інструмента.
2. Ніколи не слід заряджати повторно повністю заряджену касету з акумулятором. Перезарядження скорочує строк експлуатації акумулятора.
3. Заряджайте касету з акумулятором при кімнатній температурі 10°C - 40°C (50°F - 104°F). Перед тим як заряджати касету з акумулятором, слід зачекати, доки вона охолоне.
4. Коли касета з акумулятором не використовується, вийміть її з інструмента або зарядного пристрою.
5. Якщо касета з акумулятором не використовувалася тривалий час (понад шість місяців), її слід зарядити.

ІНСТРУКЦІЯ З ВИКОРИСТАННЯ

⚠ ОБЕРЕЖНО: Обов'язково переконайтеся, що прилад вимкнено, а касету з акумулятором знято, перед регулюванням або перевіркою функціонування інструмента.

Встановлення та зняття касети з акумулятором

⚠ ОБЕРЕЖНО: Завжди вимикайте інструмент перед встановленням або зняттям касети з акумулятором.

⚠ ОБЕРЕЖНО: Під час встановлення або зняття касети з акумулятором слід міцно тримати інструмент та касету з акумулятором. Якщо ви утримуватимете інструмент та касету з акумулятором недостатньо міцно, вони можуть вислизнути з рук, що може призвести до пошкодження інструмента та касети з акумулятором або може спричинити травми.

Щоб установити касету з акумулятором, слід сумістити виступ на касеті з акумулятором із пазом у корпусі й вставити касету на місце. Вставляйте її до кінця, щоб вона зафіксувалася з легким клацанням. Якщо ви бачите червоний індикатор, як показано на рисунку, її не зафіксовано повністю.

Щоб зняти касету з акумулятором, слід витягнути її з інструмента, натиснувши на кнопку в передній частині касети.

► **Рис.1:** 1. Червоний індикатор 2. Кнопка 3. Касета з акумулятором

⚠ ОБЕРЕЖНО: Завжди вставляйте касету з акумулятором повністю, щоб червоного індикатора не було видно. Якщо цього не зробити, касета може випадково випасти з інструмента та завдати травми вам або людям, що знаходяться поряд.

⚠ ОБЕРЕЖНО: Не встановлюйте касету з акумулятором із зусиллям. Якщо касета не вставляється легко, то це означає, що ви її неправильно вставляєте.

Система захисту інструмента/ акумулятора

Інструмент оснащено системою захисту інструмента/ акумулятора. Ця система автоматично вимикає живлення двигуна з метою збільшення терміну служби інструмента та акумулятора. Інструмент автоматично зупиняється під час роботи, якщо інструмент або акумулятор перебувають у зазначених нижче умовах.

Захист від перевантаження

Якщо інструмент або акумулятор використовується в умовах надмірного споживання струму, він автоматично зупиняється. У такому разі вимкніть інструмент і припиніть роботу, під час виконання якої інструмент зазнав перевантаження. Щоб перезапустити інструмент, увімкніть його знову.

Захист від перегрівання

Коли інструмент/акумулятор перегріється, інструмент зупиниться автоматично. У такому разі дозвольте інструменту/акумулятору охолонути, перш ніж знову увімкнути інструмент.

Захист від надмірного розрядження

Коли заряд акумулятора стає недостатнім для подальшої роботи, інструмент автоматично зупиняється. У такому випадку вийміть акумулятор з інструмента та зарядіть його.

Захист від інших неполадок

Система захисту також забезпечує захист від інших неполадок, які можуть призвести до пошкодження інструмента, і забезпечує автоматичне зупинення інструмента. У разі тимчасової зупинки або припинення роботи інструмента виконайте всі зазначені нижче дії для усунення причини зупинки.

1. Вимкніть і знову увімкніть інструмент, щоб перезапустити його.
2. Зарядіть акумулятор(-и) або замініть його(їх) зарядженим(-и).
3. Дайте інструменту й акумулятору(-ам) охолонути.

Якщо після відновлення вихідного стану системи захисту ситуація не зміниться, зверніться до місцевого сервісного центру Makita.

Сигнальний індикатор

Індикаторна лампа на перемикачі режиму натискання блимає червоним світлом, коли інструмент працює в зазначених нижче робочих умовах.

► **Рис.2:** 1. Індикаторна лампа

Статус лампи	Причини	Способи усунення
Швидко блимає (з інтервалом приблизно в одну третину секунди)	Акумулятор розряджається	Якомога швидше зарядіть акумулятор.
Блимає із затримкою (з інтервалом приблизно в одну секунду)	Перегрів	Дайте інструменту охолонути, перш ніж увімкнути його знову.

ПРИМІТКА: Попередження про надмірне розрядження може з'являтися залежно від стану акумулятора й умов експлуатації.

Відображення залишкового заряду акумулятора

Тільки для касет з акумулятором, які мають індикатори

Натисніть кнопку перевірки на касеті з акумулятором для відображення залишкового ресурсу акумулятора. Індикаторні лампи загоряться на кілька секунд.

► **Рис.3:** 1. Індикаторні лампи 2. Кнопка перевірки

Індикаторні лампи			Залишковий ресурс
Горить	Вимк.	Блимає	
■	□	▬	
■ ■ ■ ■			від 75 до 100%
■ ■ ■ □			від 50 до 75%
■ ■ □ □			від 25 до 50%
■ □ □ □			від 0 до 25%
▬ □ □ □			Зарядіть акумулятор.
■ ■ □ □			Можливо, акумулятор вийшов з ладу.
□ □ ■ ■			

ПРИМІТКА: Залежно від умов використання та температури оточуючого середовища показання можуть незначним чином відрізнятися від дійсного ресурсу.

ПРИМІТКА: Перша (дальня ліва) індикаторна лампа блимає під час роботи захисної системи акумулятора.

Налаштування під гвинти потрібної довжини

Для моделі DFR452 / DFR453

Цей інструмент має 4 настройки довжини гвинта з примусовою фіксацією. Зсуньте основу стопора, одночасно натискаючи на важелі зверху основи стопора, щоб значення потрібної довжини гвинта (зазначене на вказівнику) з'явилося в оглядовому вікні. У таблиці далі по тексту наведено докладні відомості про значення довжини гвинтів.

► **Рис.4:** 1. Основа стопора 2. Важіль 3. Плита 4. Корпус

Значення на вказівнику	Діапазони довжин гвинтів
20	20 мм (13/16")
25	25 мм – 28 мм (1" – 1-1/8")
32	28 мм – 35 мм (1-1/8" – 1-3/8")
41	35 мм – 41 мм (1-3/8" – 1-5/8")

Для моделі DFR551 / DFR552

Цей інструмент має 7 настройок довжини гвинта з примусовою фіксацією. Зсуньте основу стопора, одночасно натискаючи на важелі зверху основи стопора, щоб значення потрібної довжини гвинта (зазначене на вказівнику) з'явилося в оглядовому вікні. У таблиці далі по тексту наведено докладні відомості про значення довжини гвинтів.

► **Рис.5:** 1. Основа стопора 2. Важіль 3. Плита 4. Корпус

Значення на вказівнику	Діапазони довжин гвинтів
25	25 мм (1")
30	25 мм – 30 мм (1" – 1-3/16")
35	30 мм – 35 мм (1-3/16" – 1-3/8")
40	35 мм – 40 мм (1-3/8" – 1-9/16")
45	40 мм – 45 мм (1-9/16" – 1-3/4")
50	45 мм – 50 мм (1-3/4" – 2")
55	50 мм – 55 мм (2" – 2-3/16")

Регулювання глибини вкручування

Натисніть на передню поверхню основи стопора й опустіть пристрій подачі в кожусі до упору. Утримуючи його в цьому положенні, відрегулюйте за допомогою диска регулювання кінчик наконечника для вкручування так, щоб він виступав приблизно на 6 мм за передню поверхню основи стопора. Вкрутіть пробний гвинт. Якщо головка гвинта виступає над робочою поверхнею, прокрутіть диск регулювання в напрямку А; якщо головка гвинта глибоко ввійшла в поверхню, прокрутіть диск регулювання в напрямку В.

► **Рис.6:** 1. Приблизно 6 мм 2. Основа стопора 3. Пристрій подачі 4. Корпус 5. Диск регулювання

Дія вмикача

ПОПЕРЕДЖЕННЯ: Перед тим як вставляти касету з акумулятором в інструмент, обов'язково перевірте, чи курок вмикача спрацьовує належним чином та повертається у положення «ВИМК.», коли його відпускають.

Щоб запустити інструмент, натисніть курок вмикача. Для підвищення робочої частоти обертання інструмента натисніть курок вмикача сильніше. Відпустіть курок вмикача, щоб зупинити роботу. Для забезпечення безперервної роботи натисніть курок вмикача, потім натисніть кнопку блокування та відпустіть курок вмикача. Для зупинки інструмента, що працює в режимі безперервної роботи, до упору натисніть і відпустіть курок вмикача.

► **Рис.7:** 1. Курковий вмикач 2. Кнопка блокування

Дія вимикача зворотного ходу

⚠ ОБЕРЕЖНО: Перед початком роботи обов'язково перевіряйте напрям обертання.

⚠ ОБЕРЕЖНО: Перемикач реверсу можна використовувати тільки після повної зупинки інструмента. Зміна напрямку обертання до повної зупинки інструмента може призвести до його пошкодження.

⚠ ОБЕРЕЖНО: Коли інструмент не використовується, важіль перемикача реверсу повинен знаходитися в нейтральному положенні.

Цей інструмент обладнано перемикачем реверсу для зміни напрямку обертання. Для обертання за годинниковою стрілкою пересуньте важіль перемикача реверсу в положення А, проти годинникової стрілки — у положення В.

Коли важіль перемикача реверсу перебуває в нейтральному положенні, курок вмикача не можна натиснути.

► **Рис.8:** 1. Важіль перемикача реверсу

Режим натискання

У режимі натискання наконечник для викручування обертається, лише якщо притиснути основу стопора до поверхні вгвинчування, і тоді електродвигун інструмента на холостому ходу не вмикається, заощаджуючи заряд акумулятора.

Щоб вибрати режим натискання, трохи натисніть курок вмикача, потім відпустіть його й одразу натисніть кнопку вибору режиму. Після цього на перемикачі режиму натискання загориться індикаторна лампа.

► **Рис.9:** 1. Кнопка вибору режиму 2. Індикаторна лампа

ПРИМІТКА: Якщо курок вмикача заблоковано і з ним не виконується жодних дій, режим натискання автоматично вимкнеться через вісім годин. Для перезапуску інструмента повністю натисніть курок вмикача, щоб вимкнути кнопку блокування, а потім відпустіть курок вмикача й знову натисніть.

Функція запобігання раптовому перезапуску

Інструмент не запуститься навіть під час установлення касети з акумулятором за натиснутого курка вмикача.

Щоб запустити інструмент, спочатку відпустіть і знову натисніть курок вмикача.

КОМПЛЕКТУВАННЯ

⚠ ОБЕРЕЖНО: Обов'язково переконайтеся, що прилад вимкнено, а касету з акумулятором знято, перш ніж проводити будь-які роботи з інструментом.

Установлення та зняття наконечника для викручування

⚠ ОБЕРЕЖНО: Під час складання компонентів і пристосувань намагайтеся не торкатися гострих країв гвинтів.

⚠ ОБЕРЕЖНО: Обережно поводьтеся з приладами і пристосуваннями. Завжди міцно тримайте приладдя й пристосування під час установлення та зняття. Інакше приладдя та пристосування можуть вислизнути з рук і впасти.

⚠ ОБЕРЕЖНО: Під час установлення та зняття пристосування втримуйте кожух.

⚠ ОБЕРЕЖНО: Перед заміною наконечника завжди вимикайте та виймайте касету з акумулятором.

Установлення наконечника для викручування

1. Щоб установити наконечник для викручування, втисніть шпindel у корпус редуктора й, утримуючи його в цьому положенні, вставте наконечник в отвір шпинделя до упору. Потім відпустіть шпindel, щоб зафіксувати наконечник для викручування.

► **Рис.10:** 1. Наконечник для викручування 2. Шпindel 3. Корпус редуктора

2. Вставте кожух у корпус редуктора, міцно втримуючи його, доки кнопки розблокування з кожного боку кожуха не зафіксуються з легким клацанням.

► **Рис.11:** 1. Кожух 2. Кнопки розблокування

Зняття наконечника для викручування

1. Натисніть і втримуйте кнопки розблокування з кожного боку кожуха, а потім стягніть кожух.

► **Рис.12:** 1. Кнопки розблокування 2. Кожух

2. Щоб витягти наконечник для викручування, втисніть шпindel у корпус редуктора й, утримуючи його в цьому положенні, витягніть наконечник.

► **Рис.13:** 1. Наконечник для викручування 2. Шпindel 3. Корпус редуктора

Встановлення стрічки з гвинтами

⚠ ОБЕРЕЖНО: Перш ніж різати стрічку з гвинтами завжди вимикайте й знімайте касету з акумулятором.

Вставте стрічку з гвинтами через напрямну. Потім вставте його через коробку фідера, доки перший гвинт не досягне положення близького до положення вгвинчування.

► **Рис.14:** 1. Стрічка з гвинтами 2. Напрямна стрічки з гвинтами 3. Кожух 4. Напрямна завантаження гвинтів 5. Пристрій подачі

УВАГА: Переконайтеся, що перший гвинт устатовлено в другому отворі, що йде відразу за положенням загвинчування.

► **Рис.15:** 1. Перший гвинт 2. Положення загвинчування

Зняття стрічки з гвинтами

⚠ ОБЕРЕЖНО: Перш ніж знімати пристосування, завжди знімайте стрічку з гвинтами.

Щоб зняти стрічку з гвинтами, потягніть її вгору з пристрою подачі.

► **Рис.16**

Стрічку з гвинтами можна витягнути з пристрою подачі вниз, натиснувши на кнопку зворотного ходу на пристрої подачі.

► **Рис.17:** 1. Кнопка зворотного ходу 2. Пристрій подачі

Встановлення гака

⚠ ПОПЕРЕДЖЕННЯ: Використовуйте підвісний/монтажні елементи лише за призначенням, тобто для підвішування інструмента на ремінь для інструментів у перервах між роботами.

⚠ ПОПЕРЕДЖЕННЯ: Слідкуйте за тим, щоб не перевантажувати гачок; надмірне зусилля чи перевантаження можуть пошкодити інструмент і призвести до травмування.

⚠ ОБЕРЕЖНО: Під час устатовлення гачка надійно зафіксуйте його гвинтом. В іншому випадку гачок може від'єднатися від інструмента, що може призвести до травми.

⚠ ОБЕРЕЖНО: Перш ніж випустити інструмент із рук, переконайтеся в надійності підвішування. Недостатньо надійне підвішування чи підвішування в нестійкому положенні можуть призвести до падіння інструмента та травмування.

► **Рис.18:** 1. Паз 2. Гак 3. Гвинт

Гак зручно використовувати для тимчасового підвішування інструмента. Його можна встановлювати на будь-якому боці інструмента. Щоб встановити гак, вставте його в паз на корпусі інструмента з будь-якого боку та закріпіть за допомогою гвинта. Щоб зняти гак, відпустіть гвинт і витягніть його.

Використання отвору

⚠ ПОПЕРЕДЖЕННЯ: Не використовуйте отвір для підвішування в цілях, для яких він не призначений, як от для закріплення інструмента на значній висоті. У разі сильного навантаження на отвір він може пошкодитися, що може призвести до травмування людей поряд.

Використовуйте отвір для підвішування, що розташований у нижній задній частині інструмента, щоб підвішувати інструмент на стіну за допомогою шнура для підвішування чи схожих шнурів.

► **Рис.19:** 1. Отвір для підвішування

ЗАСТОСУВАННЯ

Операція вгвинчування

УВАГА: Перед роботою завжди перевіряйте наконечник для викручування на предмет зносу. Замініть зношений наконечник для викручування, інакше гвинти будуть погано вкручуватися.

УВАГА: Завжди тримайте інструмент строго перпендикулярно поверхні вгвинчування. Якщо тримати його під кутом, це може призвести до пошкодження головок гвинтів і зносу наконечника для викручування. Крім того, гвинти будуть закріплені ненадійно.

УВАГА: Завжди тримайте інструмент щільно притиснутим до поверхні вгвинчування до повного завершення процесу вкручування. Недотримання цієї вимоги може привести до того, що гвинти будуть вкручені ненадійно.

УВАГА: Будьте уважні й не вкручайте гвинти один в одного.

УВАГА: Не запускайте інструмент без гвинтів. Це призведе до пошкодження поверхні вгвинчування.

УВАГА: Не наносьте оливу або мастило на поверхню ковзання пристрою подачі.

Увімкніть інструмент, натиснувши на курок вмикача. Інструмент слід міцно тримати під прямим кутом до поверхні вгвинчування. Гвинт буде автоматично встановлений в положення вгвинчування та вгвинчений.

► **Рис.20**

Вкручування в режимі натискання

1. Трохи натисніть на курок вмикача й відпустіть. Потім одразу натисніть кнопку вибору режиму.

На перемикачі режиму натискання загориться індикаторна лампа, і режим натискання ввімкнеться.

► **Рис.21:** 1. Кнопка вибору режиму 2. Індикаторна лампа

2. Натисніть кнопку блокування й курок вмикача, а потім відпустіть курок вмикача.

► **Рис.22:** 1. Кнопка блокування 2. Курок вмикача

ПРИМІТКА: Якщо вибрано режим натискання й заблокковано курок вмикача, задля скорочення енергоспоживання електродвигун не буде обертатися без навантаження.

3. Притисніть інструмент до поверхні вгвинчування, тримаючи його строго перпендикулярно. Гвинт буде автоматично переведено в положення вкручування та вгвинчено на повній швидкості.
- **Рис.23**

Вгвинчування в кут.

⚠ОБЕРЕЖНО: Якщо відстань між гвинтом і стіною становить менше 15 мм або основа стопора торкається бічної стіни, можна пошкодити головки гвинтів і стерти наконечник для викручування. Крім того, це може призвести до поганого вкручування гвинтів і виходу інструмента з ладу.

Цей інструмент можна використовувати для вкручування гвинтів на відстані 15 мм від бічної стіни, як показано на рисунку.

- **Рис.24:** 1. Стіна 2. Основа стопора 3. 15 мм

Викручування гвинтів

⚠ОБЕРЕЖНО: Перед початком роботи обов'язково перевіряйте напрям обертання.

⚠ОБЕРЕЖНО: Перемикач реверсу можна використовувати тільки після повної зупинки інструмента. Зміна напрямку обертання до повної зупинки інструмента може призвести до його пошкодження.

Цей інструмент дає змогу легко змінювати напрям обертання наконечника для викручування: праворуч (за годинниковою стрілкою) для вкручування гвинта або ліворуч (проти годинникової стрілки) для викручування гвинта.

1. Втисніть важіль перемикача реверсу з боку В для ввімкнення режиму обертання проти годинникової стрілки.

- **Рис.25:** 1. Важіль перемикача реверсу

2. Натисніть і утримуйте кнопки розблокування з кожного боку кожуха, а потім стягніть кожух.

- **Рис.26:** 1. Кнопки розблокування 2. Кожух

3. Вставте наконечник для викручування в головку гвинта, який потрібно викрутити.

4. Тримайте інструмент строго перпендикулярно гвинту й натисніть курок вмикача, щоб почати операцію.

- **Рис.27:** 1. Наконечник для викручування
2. Головка гвинта 3. Курок вмикача

5. Після закінчення роботи встановіть кожух назад на корпус редуктора до фіксації.

ТЕХНІЧНЕ ОБСЛУГОВУВАННЯ

⚠ОБЕРЕЖНО: Перед здійсненням перевірки або обслуговування завжди перевіряйте, щоб інструмент був вимкнений, а касета з акумулятором була знята.

УВАГА: Ніколи не використовуйте газолін, бензин, розріджувач, спирт та подібні речовини. Їх використання може призвести до зміни кольору, деформації або появи тріщин.

Для забезпечення БЕЗПЕКИ та НАДІЙНОСТІ продукції, її ремонт, а також роботи з обслуговування або регулювання повинні виконуватись уповноваженими або заводськими сервісними центрами Makita із використанням запчастин виробництва компанії Makita.

Після використання

Регулярно протирайте інструмент сухою або трохи змоченою в мильній воді тканиною.

ДОДАТКОВЕ ПРИЛАДДЯ

⚠ОБЕРЕЖНО: Це додаткове та допоміжне обладнання рекомендовано використовувати з інструментом Makita, зазначеним у цій інструкції з експлуатації. Використання будь-якого іншого додаткового та допоміжного обладнання може становити небезпеку травмування. Використовуйте додаткове та допоміжне обладнання лише за призначенням.

У разі необхідності отримати допомогу в більш детальному ознайомленні з оснащенням звертайтеся до місцевого сервісного центру Makita.

- Гвинт для шпунтурки
- Свердло Phillips
- Прямокутна насадка
- Хрестова насадка
- Кожух
- Оригінальний акумулятор та зарядний пристрій Makita

ПРИМІТКА: Деякі елементи списку можуть входити до комплекту інструмента як стандартне приладдя. Вони можуть відрізнятися залежно від країни.

SPECIFICAȚII

Model:	DFR452	DFR453	DFR551	DFR552
Bandă de șuruburi	ø3,5 mm x 20 mm - ø4,2 mm x 41 mm		ø3,5 mm x 25 mm - ø4,2 mm x 55 mm	
Turație în gol	0 - 6.000 min ⁻¹	0 - 4.500 min ⁻¹	0 - 6.000 min ⁻¹	0 - 4.500 min ⁻¹
Lungime totală	360 mm		396 mm	
Tensiune nominală	18 V cc.			
Greutate netă	1,9 - 2,2 kg			

- Datorită programului nostru continuu de cercetare și dezvoltare, specificațiile pot fi modificate fără o notificare prealabilă.
- Specificațiile pot varia în funcție de țară.
- Greutatea poate diferi în funcție de accesoriu(ii), inclusiv cartușul acumulatorului. În tabel se prezintă combinația cea mai ușoară și cea mai grea, conform Procedurii EPTA 01/2014.

Cartușul acumulatorului și încărcătorul aplicabile

Cartușul acumulatorului	BL1815N / BL1820B / BL1830B / BL1840B / BL1850B / BL1860B
Încărcător	DC18RC / DC18RD / DC18RE / DC18SD / DC18SE / DC18SF / DC18SH / DC18WC

- Este posibil ca unele cartușe ale acumulatorilor și încărcătoare menționate mai sus să nu fie disponibile în funcție de regiunea dvs. de reședință.

⚠️ AVERTIZARE: Utilizați numai cartușele de acumulator și încărcătoarele enumerate mai sus. Utilizarea oricărui altor cartușe de acumulator și încărcătoare poate duce la rănire și/sau incendiu.

Destinația de utilizare

Mașina este destinată înșurubării în lemn, metal și plastic.

Zgomot

Nivelul de zgomot normal ponderat A determinat în conformitate cu EN62841-2-2:

Model	Nivel de presiune acustică (L _{pA}): (dB(A))	Marjă de eroare (K): (dB(A))
DFR452	78	3
DFR453	79	3
DFR551	77	3
DFR552	78	3

Nivelul de zgomot în timpul funcționării poate depăși 80 dB (A).

NOTĂ: Valoarea (valorile) totală(e) a (ale) emisiilor de zgomot declarate a(u) fost măsurată(e) în conformitate cu o metodă de test standard și poate (pot) fi utilizată(e) pentru compararea unei unelte cu alta.

NOTĂ: Valoarea (valorile) totală(e) a (ale) emisiilor de zgomot declarate poate (pot) fi, de asemenea, utilizată(e) într-o evaluare preliminară a expunerii.

⚠️ AVERTIZARE: Purtați echipament de protecție pentru urechi.

⚠️ AVERTIZARE: Emisiile de zgomot în timpul utilizării efective a uneltei electrice poate diferi de valoarea (valorile) nivelului declarat, în funcție de modul în care uneltea este utilizată, în special ce fel de piesă este prelucrată.

⚠️ AVERTIZARE: Asigurați-vă că identificați măsurile de siguranță pentru a proteja operatorul, acestea fiind bazate pe o estimare a expunerii în condiții reale de utilizare (luând în considerare toate părțile ciclului de operare, precum timpii în care uneltea a fost oprită, sau a funcționat în gol, pe lângă timpul de declanșare).

Vibrații

Valoarea totală a vibrațiilor (suma vectorilor tri-axiali) determinată conform EN62841-2-2:

Mod de lucru: rectificare plană cu mâner lateral normal

Model	Emisie de vibrații (a _h): (m/s ²)	Marjă de eroare (K): (m/s ²)
DFR452	2,5 m/s ² sau mai puțin	1,5 m/s ²
DFR453		
DFR551		
DFR552		

NOTĂ: Valoarea (valorile) totală(e) a (ale) nivelului de vibrații declarat a (au) fost măsurată(e) în conformitate cu o metodă de test standard și poate (pot) fi utilizată(e) pentru compararea unei unelte cu alta.

NOTĂ: Valoarea (valorile) totală(e) a (ale) nivelului de vibrații declarat poate (pot) fi, de asemenea, utilizată(e) într-o evaluare preliminară a expunerii.

⚠️ AVERTIZARE: Nivelul de vibrații în timpul utilizării efective a unelei electrice poate diferi de valoarea (valorile) nivelului declarat, în funcție de modul în care unealta este utilizată, în special ce fel de piesă este prelucrată.

⚠️ AVERTIZARE: Asigurați-vă că identificați măsurile de siguranță pentru a proteja operatorul, acestea fiind bazate pe o estimare a expunerii în condiții reale de utilizare (luând în considerare toate părțile ciclului de operare, precum timpii în care unealta a fost oprită, sau a funcționat în gol, pe lângă timpul de declanșare).

Declarații de conformitate

Numai pentru țările europene

Declarațiile de conformitate sunt incluse ca Anexa A la acest manual de instrucțiuni.

AVERTIZĂRI DE SIGURANȚĂ

Avertismente generale de siguranță pentru mașinile electrice

⚠️ AVERTIZARE Citiți toate avertizările privind siguranța, instrucțiunile, ilustrațiile și specificațiile furnizate cu această mașină electrică. Nerespectarea integrală a instrucțiunilor de mai jos poate provoca electrocutări, incendii și/sau accidente grave.

Păstrați toate avertismentele și instrucțiunile pentru consultări ulterioare.

Termenul „mașină electrică” din avertizări se referă la mașinile dumneavoastră electrice acționate de la rețea (prin cablu) sau cu acumulator (fără cablu).

Avertismente privind siguranța pentru mașina de înșurubat cu acumulator

1. **Țineți mașina electrică numai de suprafețele de prindere izolate atunci când efectuați o operațiune în care dispozitivul de fixare poate intra în contact cu fire ascunse.** Contactul organelor de asamblare cu un cablu aflat sub tensiune poate pune sub tensiune piesele metalice expuse ale mașinii electrice, conducând la electrocutarea operatorului.
2. **Păstrați-vă echilibrul.** Asigurați-vă că nu se află nicio persoană dedesubt atunci când folosiți mașina la înălțime.

3. **Țineți bine mașina.**
4. **Nu atingeți piesele în mișcare.**
5. **Nu atingeți capul de acționare sau piesa prelucrată imediat după executarea lucrării; acestea pot fi extrem de fierbinți și pot provoca arsuri ale pielii.**
6. **Piesa de prelucrat trebuie fixată întotdeauna cu o menhină sau cu un alt dispozitiv similar de fixare.**
7. **Asigurați-vă că nu există cabluri electrice, conducte de apă, conducte de gaz etc., care ar putea provoca un pericol în cazul în care ar fi deteriorate prin folosirea mașinii.**

PĂSTRAȚI ACESTE INSTRUCȚIUNI.

⚠️ AVERTIZARE: NU permiteți comodității și familiarizării cu produsul (obținute prin utilizare repetată) să înlocuiască respectarea strictă a normelor de securitate pentru acest produs.

FOLOSIREA INCORECTĂ sau nerespectarea normelor de securitate din acest manual de instrucțiuni poate provoca vătămări corporale grave.

Instrucțiuni importante privind siguranța pentru cartușul acumulatorului

1. **Înainte de a folosi cartușul acumulatorului, citiți toate instrucțiunile și atenționările de pe (1) încărcătorul acumulatorului, (2) acumulator și (3) produsul care folosește acumulatorul.**
2. **Nu dezasamblați și nu interveniți asupra cartușului acumulatorului.** Acest lucru poate cauza incendii, căldură excesivă sau explozii.
3. **Dacă timpul de funcționare s-a redus excesiv, întrerupeți imediat funcționarea.** Aceasta poate prezenta risc de supraîncălzire, posibile arsuri și chiar explozie.
4. **Dacă electrolitul pătrunde în ochi, clătiți bine ochii cu apă curată și consultați imediat un medic.** Există risc de orbire.
5. **Nu scurtcircuitați cartușul acumulatorului:**
 - (1) **Nu atingeți bornele cu niciun material conductor.**
 - (2) **Evitați depozitarea cartușului acumulatorului la un loc cu alte obiecte metalice cum ar fi cuie, monede etc.**
 - (3) **Nu expuneți cartușul acumulatorului la apă sau ploaie.**

Un scurtcircuit al acumulatorului poate provoca un flux puternic de curent electric, supraîncălzire, posibile arsuri și chiar defectarea mașinii.
6. **Nu depozitați și nu utilizați mașina și cartușul acumulatorului în locuri în care temperatura poate atinge sau depăși 50 °C (122 °F).**
7. **Nu incinerati cartușul acumulatorului chiar dacă acesta este grav deteriorat sau complet uzat.** Cartușul acumulatorului poate exploda în foc.

8. **Nu introduceți cuie în cartușul acumulatorului, nu îl tăiați, striviți, aruncați sau scăpați și nu îl loviți cu un obiect dur.** Astfel de acțiuni pot provoca incendii, căldură excesivă sau explozii.
9. **Nu utilizați un acumulator deteriorat.**
10. **Acumulatorii Li-Ion încorporați se supun cerințelor Legislației privind substanțele periculoase.**
 Pentru transporturi comerciale, efectuate de exemplu de către părți terțe, expeditori, trebuie respectate cerințele speciale de ambalare și etichetare.
 Pentru pregătirea articolului care urmează să fie expedit, este necesară consultarea unui expert în materiale periculoase. Vă rugăm să respectați, de asemenea, reglementările naționale, care pot fi mai detaliate.
 Izolați sau acoperiți contactele deschise și împachetați acumulatorul în așa fel încât să nu se poată mișca în ambalaj.

11. **Atunci când eliminați la deșeurii cartușul acumulatorului, scoateți-l din mașină și eliminați-l într-un loc sigur. Respectați normele naționale privind eliminarea la deșeurii a acumulatorului.**
12. **Utilizați acumulatoroarele numai cu produsele specificate de Makita.** Instalarea acumulatorilor în produse neconforme poate cauza incendii, căldură excesivă, explozii sau scurgeri de electrolit.
13. **Dacă mașina nu este utilizată o perioadă lungă de timp, acumulatorul trebuie scos din acesta.**
14. **În timpul utilizării și după aceea, cartușul acumulatorului se poate încălzi, ceea ce poate cauza arsuri sau arsuri la temperaturi scăzute. Fiți atenți la manipularea cartușelor de acumulator atunci când sunt fierbinți.**
15. **Nu atingeți borna mașinii imediat după utilizare, întrucât se poate încălzi foarte tare și poate provoca arsuri.**
16. **Nu lăsați să pătrundă așchii, praf sau pământ în borne, în orificii și în canelurile cartușului acumulatorului.** Acest lucru poate provoca încălzirea, aprinderea, explozia și defectarea mașinii sau a cartușului acumulatorului, cauzând arsuri sau vătămări corporale.
17. **Nu utilizați cartușul acumulatorului în apropierea liniilor electrice de înaltă tensiune, cu excepția cazului în care mașina suportă utilizarea în apropierea liniilor electrice de înaltă tensiune.** Acest lucru poate duce la funcționarea necorespunzătoare sau la defectarea mașinii sau a cartușului acumulatorului.
18. **Țineți acumulatorul la distanță de copii.**

PĂSTRAȚI ACESTE INSTRUCȚIUNI.

⚠ATENȚIE: Folosiți numai acumulatori Makita originali. Acumulatorii Makita care nu sunt originali și acumulatorii care au suferit modificări se pot aprinde, provocând incendii, leziuni corporale și daune. De asemenea, anulează garanția oferită de Makita pentru unealta și încărcătorul Makita.

Sfaturi pentru obținerea unei durate maxime de exploatare a acumulatorului

1. **Încărcați cartușul acumulatorului înainte de a se descărca complet.** Întrerupeți întotdeauna funcționarea mașinii și încărcați cartușul acumulatorului când observați o scădere a puterii mașinii.
2. **Nu reîncărcați niciodată un acumulator complet încărcat.** Supraîncărcarea va scurta durata de exploatare a acumulatorului.
3. **Încărcați cartușul acumulatorului la temperatura camerei, între 10 °C - 40 °C (50 °F - 104 °F).** Lăsați un acumulator fierbinte să se răcească înainte de a-l încărca.
4. **Atunci când nu utilizați cartușul acumulatorului, scoateți-l din mașină sau din încărcător.**
5. **Încărcați cartușul acumulatorului în cazul în care nu a fost utilizat pe o perioadă mai lungă (mai mult de șase luni).**

DESCRIERE FUNCȚIONALĂ

⚠ATENȚIE: Asigurați-vă întotdeauna că mașina este oprită și cartușul acumulatorului este scos înainte de a ajusta sau verifica funcționarea mașinii.

Instalarea sau scoaterea cartușului acumulatorului

⚠ATENȚIE: Opriți întotdeauna mașina înainte de montarea sau demontarea cartușului de acumulator.

⚠ATENȚIE: Țineți ferm mașina și cartușul acumulatorului la montarea sau demontarea cartușului. În cazul în care nu țineți ferm mașina și cartușul de acumulator, acestea vă pot aluneca din mâini, rezultând defectarea mașinii și cartușului de acumulator, precum și în accidentări personale.

Pentru a monta cartușul acumulatorului, aliniați limba de pe cartușul acumulatorului cu canelura din carcasă și introduceți-l în locaș. Introduceți-l complet, până când se înclichetează în locaș. Dacă vedeți indicatorul roșu, astfel cum se arată în imagine, acesta nu este blocat complet.

Pentru a scoate cartușul acumulatorului, glisați-l din mașină în timp ce glisați butonul de pe partea frontală a cartușului.

► Fig. 1: 1. Indicator roșu 2. Buton 3. Cartușul acumulatorului

⚠ATENȚIE: Instalați întotdeauna cartușul acumulatorului complet, până când indicatorul roșu nu mai este vizibil. În caz contrar, acesta poate cădea accidental din mașină provocând rănirea dumneavoastră sau a persoanelor din jur.

⚠ATENȚIE: Nu forțați cartușul acumulatorului la montare. Dacă acesta nu glisează ușor, înseamnă că a fost introdus incorect.

Sistem de protecție mașină/acumulator

Mașina este prevăzută cu un sistem de protecție mașină/acumulator. Acest sistem întrerupe automat alimentarea motorului pentru a extinde durata de funcționare a mașinii și acumulatorului. Mașina se va opri automat în timpul funcționării dacă mașina sau acumulatorul se află într-una din situațiile următoare:

Protecție la suprasarcină

Când mașina/acumulatorul este utilizat într-un mod care duce la un consum de curent anormal de ridicat, mașina se va opri automat. În această situație, opriți mașina și întrerupeți aplicația care a dus la suprasolicitarea mașinii. Apoi, reporniți mașina.

Protecție la supraîncălzire

Când mașina/acumulatorul se supraîncălzește, mașina se oprește automat. În această situație, lăsați mașina/acumulatorul să se răcească înainte de a reporni mașina.

Protecție la supradescărcare

Când capacitatea acumulatorului scade, unealta se oprește automat. În acest caz, scoateți acumulatorul din mașină și încărcați-l.

Măsurile de protecție împotriva altor cauze

Sistemul de protecție este, de asemenea, conceput pentru alte cauze care ar putea deteriora mașina și permite mașinii să se oprească automat. Parcurgeți toți pașii următori pentru a elimina cauzele, atunci când mașina a fost oprită temporar sau a fost scoasă din funcțiune.

1. Opriți mașina, apoi porniți-o din nou pentru a reporni.
2. Încărcați acumulatorul (acumulatorii) sau înlocuiți-l (înlocuiți-i) cu un acumulator (acumulatori) încărcat (încărcați).
3. Lăsați mașina și acumulatorul (acumulatorii) să se răcească.

Dacă nu se poate observa nicio îmbunătățire prin resetarea sistemului de protecție, contactați centrul local de service Makita.

Indicator de alertă

Lampa indicatoare de pe selectorul modului de înșurubare prin împingere emite o alertă cu lumini roșii intermitente atunci când mașina funcționează în următoarele condiții.

► **Fig.2:** 1. Lampă indicatoare

Starea lămpii	Cauze	Remedii
Iluminare intermitentă rapidă (intervale de aproximativ o treime de secundă)	Capacitatea acumulatorului scade	Încărcați acumulatorul cu prima ocazie.
Iluminare intermitentă întârziată (intervale de aproximativ o secundă)	Supraîncălzire	Lăsați mașina să se răcească înainte de a o reporni.

NOTĂ: Poate apărea o alertă privind descărcarea completă, în funcție de starea acumulatorului și de condițiile de funcționare.

Indicarea capacității rămase a acumulatorului

Numai pentru cartușe de acumulator cu indicator

Apăsați butonul de verificare de pe cartușul acumulatorului, astfel încât să se indice capacitățile rămase ale acumulatorului. Lămpile indicatorului vor lumina timp de câteva secunde.

► **Fig.3:** 1. Lămpi indicatoare 2. Buton de verificare

Lămpi indicatoare			Capacitate rămasă
Iluminat	Oprit	Iluminare intermitentă	
■	□	▧	între 75% și 100%
■	■	□	între 50% și 75%
■	□	□	între 25% și 50%
■	□	□	între 0% și 25%
▧	□	□	Încărcați acumulatorul.
■	■	□	Este posibil ca acumulatorul să fie defect.
□	□	■	

NOTĂ: În funcție de condițiile de utilizare și temperatura ambientală, indicația poate fi ușor diferită de capacitatea reală.

NOTĂ: Prima lampă indicatoare (extremitatea stângă) va lumina intermitent când sistemul de protecție a acumulatorului funcționează.

Setarea lungimilor dorite ale șuruburilor

Pentru modelul DFR452 / DFR453

Mașina este prevăzută cu 4 setări pentru lungimea șuruburilor de blocare forțată. Glisați baza opritorului în afară și înăuntru, apăsând în același timp pârghiile de pe suprafața superioară a bazei opritorului, astfel încât pe carcasă să apară numărul corespunzător lungimii dorite a șurubului (indicată pe etichetă). Consultați următorul tabel pentru detalii privind numerele alocate lungimilor șuruburilor dorite de dumneavoastră.

► **Fig.4:** 1. Baza opritorului 2. Pârghie 3. Placă 4. Carcasă

Numerele indicate pe etichetă	Intervalele de lungime a șurubului
20	20 mm (13/16")
25	25 mm - 28 mm (1" - 1-1/8")
32	28 mm - 35 mm (1-1/8" - 1-3/8")
41	35 mm - 41 mm (1-3/8" - 1-5/8")

Pentru modelul DFR551 / DFR552

Mașina este prevăzută cu 7 setări pentru lungimea șuruburilor de blocare forțată. Glsați baza opritorului în afară și înăuntru, apăsând în același timp pârghiile de pe suprafața superioară a bazei opritorului, astfel încât pe carcasă să apară numărul corespunzător lungimii dorite a șurubului (indicată pe etichetă). Consultați următorul tabel pentru detalii privind numerele alocate lungimilor șuruburilor dorite de dumneavoastră.

► **Fig.5:** 1. Baza opritorului 2. Pârghie 3. Placă 4. Carcasă

Numererele indicate pe etichetă	Intervalele de lungime a șurubului
25	25 mm (1")
30	25 mm - 30 mm (1" - 1-3/16")
35	30 mm - 35 mm (1-3/16" - 1-3/8")
40	35 mm - 40 mm (1-3/8" - 1-9/16")
45	40 mm - 45 mm (1-9/16" - 1-3/4")
50	45 mm - 50 mm (1-3/4" - 2")
55	50 mm - 55 mm (2" - 2-3/16")

Reglarea adâncimii de înșurubare

Apăsați partea frontală a bazei opritorului și împingeți în jos până la capăt caseta alimentatoare în carcasă. În timp ce o mențineți în această poziție, rotiți rondela de reglare astfel încât vârful capului de acționare să iasă în afară cu aproximativ 6 mm față de partea frontală a bazei opritorului.

Introduceți un șurub de probă. În cazul în care capul șurubului rămâne deasupra suprafeței piesei de prelucrat, rotiți rondela de reglare în direcția A; în cazul în care capul șurubului se află sub suprafață, rotiți rondela de reglare în direcția B.

► **Fig.6:** 1. Aproximativ 6 mm 2. Baza opritorului 3. Casetă alimentatoare 4. Carcasă 5. Rondela de reglare

Acționarea întrerupătorului

⚠️ AVERTIZARE: Înainte de a introduce cartușul acumulatorului în mașină, verificați întotdeauna dacă butonul declanșator funcționează corect și revine în poziția „OFF” (oprit) când este eliberat.

Pentru a porni mașina, trageți butonul declanșator. Viteza mașinii poate fi crescută prin creșterea forței de apăsare pe butonul declanșator. Eliberați butonul declanșator pentru a opri mașina.

Pentru funcționare continuă, trageți butonul declanșator, apoi apăsați butonul de blocare și eliberați butonul declanșator. Pentru a opri mașina din poziția blocată, trageți complet butonul declanșator și apoi eliberați-l.

► **Fig.7:** 1. Declanșator întrerupător 2. Buton de blocare

Funcționarea inversorului

⚠️ ATENȚIE: Verificați întotdeauna sensul de rotație înainte de utilizare.

⚠️ ATENȚIE: Folosiți inversorul numai după ce mașina s-a oprit complet. Schimbarea sensului de rotație înainte de oprirea mașinii poate avaria mașina.

⚠️ ATENȚIE: Atunci când nu folosiți mașina, deplasați întotdeauna pârghia inversorului în poziția neutră.

Această mașină dispune de un inversor pentru schimbarea sensului de rotație. Apăsați pârghia inversorului în poziția A pentru rotire în sens orar sau în poziția B pentru rotire în sens antiorar.

Când pârghia inversorului se află în poziție neutră, butonul declanșator nu poate fi apăsat.

► **Fig.8:** 1. Levier de inversor

Modul de înșurubare prin împingere

În modul de înșurubare prin împingere, capul de acționare se rotește doar prin exercitarea unei presiuni asupra suprafeței de înșurubare cu baza opritorului, permițând mașinii să oprească alimentarea motorului pentru a economisi energia acumulatorului în timpul funcționării în gol.

Pentru a selecta modul de înșurubare prin împingere, trageți ușor butonul declanșator, apoi eliberați-l și apăsați rapid butonul de selectare a modurilor. Lampa indicatoare de pe selectorul modului de înșurubare prin împingere se va aprinde.

► **Fig.9:** 1. Buton de selectare a modurilor 2. Lampă indicatoare

NOTĂ: Modul de înșurubare prin împingere se va dezactiva automat la opt ore după ce butonul declanșator a fost blocat și nu s-a mai efectuat nicio operație de comutare. Pentru a reporni mașina, trageți complet butonul declanșator pentru a elibera butonul de blocare și trageți din nou butonul declanșator.

Funcție de prevenire a repornirii accidentale

Chiar dacă montați cartușul acumulatorului în timp ce trageți butonul declanșator, mașina nu pornește.

Pentru a porni mașina, mai întâi eliberați butonul declanșator și apoi trageți butonul declanșator.

MONTARE

⚠️ATENȚIE: Asigurați-vă întotdeauna că mașina este oprită și cartușul acumulatorului este scos înainte de a executa orice lucrări la mașină.

Instalarea și dezinstalarea capului de acționare

⚠️ATENȚIE: Când reasamblați componentele și piesele auxiliare, aveți grijă să nu atingeți muchiile ascuțite ale șuruburilor.

⚠️ATENȚIE: Manevrați cu atenție accesoriile și piesele auxiliare. Asigurați-vă întotdeauna că țineți bine corpul accesoriilor și al pieselor auxiliare la instalare și dezinstalare. În caz contrar, accesoriile și piesele auxiliare vă pot aluneca din mâini și pot cădea.

⚠️ATENȚIE: Țineți carcasa atunci când instalați sau dezinstalați accesoriile.

⚠️ATENȚIE: Opriti și îndepărtați întotdeauna cartușul acumulatorului atunci când schimbați capul.

Instalarea capului de acționare

1. Pentru a instala un cap de acționare, introduceți-l până la capăt în orificiul axului, apăsând și menținând apăsat axul în carcasa angrenajului. Apoi, eliberați axul pentru a fixa capul de acționare.

► **Fig.10:** 1. Cap de acționare 2. Ax 3. Carcasa angrenajului

2. Împingeți carcasa în carcasa angrenajului, ținând bine corpul de corpul carcasei, până când butoanele de eliberare de pe fiecare parte a carcasei se înclichetează în poziție.

► **Fig.11:** 1. Carcasă 2. Butoane de eliberare

Dezinstalarea capului de acționare

1. Apăsăți și mențineți apăsat butoanele de eliberare de pe fiecare parte a carcasei, apoi scoateți carcasa.

► **Fig.12:** 1. Butoane de eliberare 2. Carcasă

2. Pentru a demonta capul de acționare, trageți-l în afară în timp ce apăsați și mențineți apăsat axul în carcasa angrenajului.

► **Fig.13:** 1. Cap de acționare 2. Ax 3. Carcasa angrenajului

Instalarea benzii de șuruburi

⚠️ATENȚIE: Opriti și îndepărtați întotdeauna cartușul acumulatorului atunci când tăiați banda de șuruburi.

Introduceți banda de șuruburi prin ghidajul șuruburilor. Apoi introduceți-o prin caseta alimentatoare până când primul șurub ajunge în poziția de lângă poziția de înșurubare.

► **Fig.14:** 1. Bandă de șuruburi 2. Ghidajul benzii de șuruburi 3. Carcasă 4. Ghidajul încărcării șuruburilor 5. Casetă alimentatoare

NOTĂ: Asigurați-vă că ați poziționat primul șurub pe al doilea rând, lângă poziția de înșurubare.

► **Fig.15:** 1. Primul șurub 2. Poziție de înșurubare

Scoaterea benzii de șuruburi

⚠️ATENȚIE: Scoateți întotdeauna banda de șuruburi atunci când scoateți accesoriul.

Pentru a scoate banda de șuruburi, trageți-o în sus din caseta alimentatoare.

► **Fig.16**

Banda de șuruburi poate fi trasă în jos din caseta alimentatoare apăsând butonul de inversare de pe caseta alimentatoare.

► **Fig.17:** 1. Buton de inversare 2. Casetă alimentatoare

Instalarea cârligului

⚠️AVERTIZARE: Utilizați piesele de suspendare/montare numai în scopul prevăzut; de exemplu, pentru suspendarea mașinii de o centură pentru mașină între întrebuințări sau între intervalele de lucru.

⚠️AVERTIZARE: Aveți grijă să nu supraîncărcați cârligul, deoarece prea multă forță sau o sarcină excesivă neregulată poate deteriora mașina, cauzând vătămări corporale.

⚠️ATENȚIE: Când instalați cârligul, strângeți-l întotdeauna ferm cu șurubelnița. În caz contrar, se poate desprinde de mașină și vă poate răni.

⚠️ATENȚIE: Asigurați-vă că ați suspendat bine mașina înainte de a-i da drumul. O fixare insuficientă sau dezechilibrată în cârlig poate provoca căderea și puteți fi rănit.

► **Fig.18:** 1. Canelură 2. Cârlig 3. Șurub

Cârligul este util pentru suspendarea temporară a mașinii. Acesta poate fi instalat pe oricare latură a mașinii. Pentru a instala cârligul, introduceți-l într-o canelură din carcasa mașinii de pe oricare latură și fixați-l cu un șurub. Pentru demontare, slăbiți șurubul și apoi scoateți-l.

Utilizarea orificiului

⚠️ AVERTIZARE: Nu utilizați niciodată orificiul de suspendare în alte scopuri decât destinația de utilizare, de exemplu, pentru agățarea mașinii în locuri înalte. Aplicarea tensiunii asupra unui orificiu suprasolicitat poate deteriora orificiul, ceea ce poate produce răni pentru dvs. sau pentru persoanele din jurul sau de dedesubtul dvs.

Utilizați orificiul de suspendare din partea de jos spate a mașinii pentru a suspenda mașina pe un perete, utilizând un cordon sau corzi similare.

► Fig.19: 1. Orificiu de suspendare

FUNCȚIONARE

Operația de înșurubare

NOTĂ: Înaintea operațiunilor de înșurubare, verificați întotdeauna cu atenție capul de acționare pentru a identifica eventualele urme de uzură. Înlocuiți capul de acționare uzat; în caz contrar, fixarea poate fi necorespunzătoare.

NOTĂ: Țineți întotdeauna mașina în unghi drept față de suprafața de înșurubare. Dacă o țineți în alt unghi, capurile șuruburilor se pot deteriora, iar capul de acționare se poate uza. Acest lucru poate cauza și o fixare necorespunzătoare.

NOTĂ: Țineți întotdeauna mașina bine fixată pe suprafața de înșurubare, până la finalizarea înșurubării. În caz contrar, șuruburile ar putea să nu fie strânse suficient.

NOTĂ: Aveți grijă să nu înșurubați un șurub într-un alt șurub deja înșurubat.

NOTĂ: Nu utilizați mașina fără șuruburi. Acest lucru va deteriora suprafața de înșurubare.

NOTĂ: Nu aplicați ulei sau vaselină pe suprafața de gisare a casetei alimentatoare.

Porniți mașina prin acționarea butonului declanșator. Țineți mașina perpendicular și ferm pe suprafața de înșurubare. Un șurub va fi adus automat în poziția de înșurubare și va fi înșurubat.

► Fig.20

Operațiunea de înșurubare în modul de înșurubare prin împingere

1. Trageți ușor butonul declanșator și eliberați-l. Apoi, apăsați rapid butonul de selectare a modurilor.

Lampa indicatoare de pe selectorul modului de înșurubare prin împingere se aprinde, iar modul de înșurubare prin împingere se activează.

► Fig.21: 1. Buton de selectare a modurilor 2. Lampă indicatoare

2. Apăsați butonul de blocare trăgând în același timp butonul declanșator, iar apoi eliberați butonul declanșator.

► Fig.22: 1. Buton de blocare 2. Buton declanșator

NOTĂ: La selectarea modului de înșurubare prin împingere și la blocarea declanșatorului, motorul nu se rotește în gol, pentru a reduce la minimum consumul de energie.

3. Țineți unealta în unghi drept pe suprafața de înșurubare și aplicați mai multă presiune asupra mașinii.

Șurubul va fi îndreptat automat în poziția de înșurubare și va fi înșurubat la viteză maximă.

► Fig.23

Înșurubarea în colțuri

⚠️ ATENȚIE: Înșurubarea într-o poziție mai apropiată de 15 mm față de perete sau înșurubarea cu baza opritorului în contact cu peretele poate cauza deteriorarea capurilor șuruburilor și uzura capului de acționare. Acest lucru poate cauza, de asemenea, o fixare necorespunzătoare și defectarea mașinii.

Această mașină poate fi folosită pentru înșurubat într-o poziție la distanță de 15 mm față de perete, astfel cum se arată în figură.

► Fig.24: 1. Perete 2. Baza opritorului 3. 15 mm

Operațiunea de deșurubare

⚠️ ATENȚIE: Verificați întotdeauna sensul de rotație înainte de utilizare.

⚠️ ATENȚIE: Folosiți inversorul numai după ce mașina s-a oprit complet. Schimbarea sensului de rotație înainte de oprirea mașinii poate avaria mașina.

Mașina vă permite să schimbați cu ușurință direcția rotației capului de acționare, fie către dreapta (în sens orar), pentru a strânge un șurub, fie către stânga (în sens antiorar), pentru a slăbi un șurub.

1. Apăsați pârghia de inversor din partea B pentru o rotație în sens antiorar.

► Fig.25: 1. Pârghie de inversor

2. Apăsați și mențineți apăsată butoanele de eliberare de pe fiecare parte a carcasei, apoi scoateți carcasa.

► Fig.26: 1. Butoane de eliberare 2. Carcasă

3. Poziționați vârful capului de acționare în capul șurubului care trebuie slăbit.

4. Țineți bine mașina pe șurub și apăsați butonul declanșator pentru a porni.

► Fig.27: 1. Cap de acționare 2. Cap șurub 3. Buton declanșator

5. După finalizarea operațiunii, poziționați din nou carcasa în carcasa angrenajului, până când se fixează în poziție.

ÎNTREȚINERE

⚠️ ATENȚIE: Asigurați-vă întotdeauna că mașina este oprită și cartușul acumulatorului scos înainte de a executa lucrările de inspecție și întreținere.

NOTĂ: Nu utilizați niciodată gazolină, benzină, diluant, alcool sau alte substanțe asemănătoare. În caz contrar, pot rezulta decolorări, deformări sau fisuri.

Pentru a menține SIGURANȚA și FIABILITATEA produsului, reparațiile și orice alte lucrări de întreținere sau reglare trebuie executate de centre de service Makita autorizate sau proprii, folosind întotdeauna piese de schimb Makita.

După utilizare

Stergeți mașina cu o cârpă uscată sau cu o cârpă ușor umezită în apă cu săpun, la intervale regulate.

ACCESORII OPȚIONALE

⚠️ ATENȚIE: Folosiți accesoriile sau piesele auxiliare recomandate pentru mașina dumneavoastră Makita în acest manual. Utilizarea oricăror alte accesorii sau piese auxiliare poate prezenta risc de vătămare corporală. Utilizați accesoriile și piesele auxiliare numai în scopul destinat.

Dacă aveți nevoie de asistență sau de mai multe detalii referitoare la aceste accesorii, adresați-vă centrului local de service Makita.

- Bandă de șuruburi pentru plăci aglomerate (Spax)
- Cap de înșurubat Phillips
- Cap de înșurubare pătrat
- Cap de înșurubare Pozidriv
- Carcasă
- Acumulator și încărcător original Makita

NOTĂ: Unele articole din listă pot fi incluse ca accesorii standard în ambalajul de scule. Acestea pot diferi în funcție de țară.

TECHNISCHE DATEN

Modell:	DFR452	DFR453	DFR551	DFR552
Schraubengurt	ø3,5 mm x 20 mm - ø4,2 mm x 41 mm		ø3,5 mm x 25 mm - ø4,2 mm x 55 mm	
Leerlaufdrehzahl	0 - 6.000 min ⁻¹	0 - 4.500 min ⁻¹	0 - 6.000 min ⁻¹	0 - 4.500 min ⁻¹
Gesamtlänge	360 mm		396 mm	
Nennspannung	Gleichstrom 18 V			
Nettogewicht	1,9 - 2,2 kg			

- Wir behalten uns vor, Änderungen der technischen Daten im Zuge der Entwicklung und des technischen Fortschritts ohne vorherige Ankündigung vorzunehmen.
- Die technischen Daten können von Land zu Land unterschiedlich sein.
- Das Gewicht kann abhängig von dem Aufsatz (den Aufsätzen), einschließlich des Akkus, unterschiedlich sein. Die leichteste und die schwerste Kombination, gemäß dem EPTA-Verfahren 01/2014, sind in der Tabelle angegeben.

Zutreffende Akkus und Ladegeräte

Akku	BL1815N / BL1820B / BL1830B / BL1840B / BL1850B / BL1860B
Ladegerät	DC18RC / DC18RD / DC18RE / DC18SD / DC18SE / DC18SF / DC18SH / DC18WC

- Einige der oben aufgelisteten Akkus und Ladegeräte sind je nach Ihrem Wohngebiet eventuell nicht erhältlich.

⚠️ WARNUNG: Verwenden Sie nur die oben aufgeführten Akkus und Ladegeräte. Bei Verwendung irgendwelcher anderer Akkus und Ladegeräte besteht Verletzungs- und/oder Brandgefahr.

Vorgesehene Verwendung

Das Werkzeug ist für das Eindrehen von Schrauben in Holz, Metall und Kunststoff vorgesehen.

Geräusch

Typischer A-bewerteter Geräuschpegel ermittelt gemäß EN62841-2-2:

Modell	Schalldruckpegel (L _{pA}): (dB (A))	Messunsicherheit (K): (dB (A))
DFR452	78	3
DFR453	79	3
DFR551	77	3
DFR552	78	3

Der Geräuschpegel kann während des Betriebs 80 dB (A) überschreiten.

HINWEIS: Der (Die) angegebene(n) Schallemissionswert(e) wurde(n) im Einklang mit der Standardprüfmethode gemessen und kann (können) für den Vergleich zwischen Werkzeugen herangezogen werden.

HINWEIS: Der (Die) angegebene(n) Schallemissionswert(e) kann (können) auch für eine Vorbewertung des Gefährdungsgrads verwendet werden.

⚠️ WARNUNG: Einen Gehörschutz tragen.

⚠️ WARNUNG: Die Schallemission während der tatsächlichen Benutzung des Elektrowerkzeugs kann je nach der Benutzungsweise des Werkzeugs, und speziell je nach der Art des bearbeiteten Werkstücks, von dem (den) angegebenen Wert(en) abweichen.

⚠️ WARNUNG: Identifizieren Sie Sicherheitsmaßnahmen zum Schutz des Benutzers anhand einer Schätzung des Gefährdungsgrads unter den tatsächlichen Benutzungsbedingungen (unter Berücksichtigung aller Phasen des Arbeitszyklus, wie z. B. Ausschalt- und Leerlaufzeiten des Werkzeugs zusätzlich zur Betriebszeit).

Schwingungen

Schwingungsgesamtwert (Drei-Achsen-Vektorsumme) ermittelt gemäß EN62841-2-2:

Arbeitsmodus: Oberflächenschleifen mit normalem Seitengriff

Modell	Vibrationsemission (a _h): (m/s ²)	Messunsicherheit (K): (m/s ²)
DFR452	2,5 m/s ² oder weniger	1,5 m/s ²
DFR453		
DFR551		
DFR552		

HINWEIS: Der (Die) angegebene(n)

Vibrationsgesamtwert(e) wurde(n) im Einklang mit der Standardprüfmethode gemessen und kann (können) für den Vergleich zwischen Werkzeugen herangezogen werden.

HINWEIS: Der (Die) angegebene(n)

Vibrationsgesamtwert(e) kann (können) auch für eine Vorbereitung des Gefährdungsgrads verwendet werden.

⚠️ WARNUNG: Die Vibrationsemission während der tatsächlichen Benutzung des Elektrowerkzeugs kann je nach der Benutzungsweise des Werkzeugs, und speziell je nach der Art des bearbeiteten Werkstücks, von dem (den) angegebenen Emissionswert(en) abweichen.

⚠️ WARNUNG: Identifizieren Sie Sicherheitsmaßnahmen zum Schutz des Benutzers anhand einer Schätzung des Gefährdungsgrads unter den tatsächlichen Benutzungsbedingungen (unter Berücksichtigung aller Phasen des Arbeitszyklus, wie z. B. Ausschalt- und Leerlaufzeiten des Werkzeugs zusätzlich zur Betriebszeit).

Konformitätserklärungen

Nur für europäische Länder

Die Konformitätserklärungen sind in Anhang A dieser Betriebsanleitung enthalten.

SICHERHEITSWARNUNGEN

Allgemeine Sicherheitswarnungen für Elektrowerkzeuge

⚠️ WARNUNG Lesen Sie alle Sicherheitshinweise, Anweisungen, Abbildungen und Spezifikationen, die diesem Elektrowerkzeug beiliegen. Eine Missachtung der unten aufgeführten Anweisungen kann zu einem elektrischen Schlag, Brand und/oder schweren Verletzungen führen.

Bewahren Sie alle Warnungen und Anweisungen für spätere Bezugnahme auf.

Der Ausdruck „Elektrowerkzeug“ in den Warnhinweisen bezieht sich auf Ihr mit Netzstrom (mit Kabel) oder Akku (ohne Kabel) betriebenes Elektrowerkzeug.

Sicherheitswarnungen für Akku-Schrauber

1. **Halten Sie das Elektrowerkzeug nur an den isolierten Griffflächen, wenn Sie Arbeiten ausführen, bei denen die Gefahr besteht, dass das Befestigungselement verborgene Kabel kontaktiert.** Bei Kontakt mit einem Strom führenden Kabel können die freiliegenden Metallteile des Elektrowerkzeugs ebenfalls Strom führend werden, so dass der Benutzer einen elektrischen Schlag erleiden kann.
2. **Achten Sie stets auf sicheren Stand. Vergewissern Sie sich bei Einsatz des Werkzeugs an hochgelegenen Arbeitsplätzen, dass sich keine Personen darunter aufhalten.**
3. **Halten Sie das Werkzeug mit festem Griff.**
4. **Halten Sie Ihre Hände von rotierenden Teilen fern.**
5. **Vermeiden Sie eine Berührung des Einsatzes oder des Werkstücks unmittelbar nach der Bearbeitung, weil die Teile noch sehr heiß sind und Hautverbrennungen verursachen können.**
6. **Spannen Sie Werkstücke stets in einen Schraubstock oder eine ähnliche Aufspannvorrichtung ein.**
7. **Vergewissern Sie sich, dass keine Stromkabel, Wasserrohre, Gasrohre usw. vorhanden sind, die bei Beschädigung durch den Einsatz des Werkzeugs eine Gefahr darstellen können.**

DIESE ANWEISUNGEN AUFBEWAHREN.

⚠️ WARNUNG: Lassen Sie sich NICHT durch Bequemlichkeit oder Vertrautheit mit dem Produkt (durch wiederholten Gebrauch erworben) von der strikten Einhaltung der Sicherheitsregeln für das vorliegende Produkt abhalten.

MISSBRAUCH oder Missachtung der Sicherheitsvorschriften in dieser Anleitung können schwere Verletzungen verursachen.

Wichtige Sicherheitsanweisungen für Akku

1. **Lesen Sie vor der Benutzung des Akkus alle Anweisungen und Warnhinweise, die an (1) Ladegerät, (2) Akku und (3) Akkuwerkzeug angebracht sind.**
2. **Unterlassen Sie Zerlegen oder Manipulieren des Akkus.** Es kann sonst zu einem Brand, übermäßiger Hitzeentwicklung oder einer Explosion kommen.
3. **Falls die Betriebszeit beträchtlich kürzer geworden ist, stellen Sie den Betrieb sofort ein.** Anderenfalls besteht die Gefahr von Überhitzung, möglichen Verbrennungen und sogar einer Explosion.
4. **Falls Elektrolyt in Ihre Augen gelangt, waschen Sie sie mit sauberem Wasser aus, und begeben Sie sich unverzüglich in ärztliche Behandlung.** Anderenfalls können Sie Ihre Sehkraft verlieren.

5. **Der Akku darf nicht kurzgeschlossen werden:**
 - (1) Die Kontakte dürfen nicht mit leitfähigem Material berührt werden.
 - (2) Lagern Sie den Akku nicht in einem Behälter zusammen mit anderen Metallgegenständen, wie z. B. Nägel, Münzen usw.
 - (3) Setzen Sie den Akku weder Wasser noch Regen aus.
Ein Kurzschluss des Akkus verursacht starken Stromfluss, der Überhitzung, mögliche Verbrennungen und einen Defekt zur Folge haben kann.
6. **Lagern und benutzen Sie das Werkzeug und den Akku nicht an Orten, an denen die Temperatur 50 °C erreichen oder überschreiten kann.**
7. **Versuchen Sie niemals, den Akku zu verbrennen, selbst wenn er stark beschädigt oder vollkommen verbraucht ist. Der Akku kann im Feuer explodieren.**
8. **Unterlassen Sie Nageln, Schneiden, Zerquetschen, Werfen, Fallenlassen des Akkus oder Schlagen des Akkus mit einem harten Gegenstand.** Eine solche Handlung kann zu einem Brand, übermäßiger Hitzeentwicklung oder einer Explosion führen.
9. **Benutzen Sie keine beschädigten Akkus.**
10. **Die enthaltenen Lithium-Ionen-Akkus unterliegen den Anforderungen der Gefahrgut-Gesetzgebung.**
Für kommerzielle Transporte, z. B. durch Dritte oder Spediteure, müssen besondere Anforderungen zu Verpackung und Etikettierung beachtet werden.
Zur Vorbereitung des zu transportierenden Artikels ist eine Beratung durch einen Experten für Gefahrgut erforderlich. Bitte beachten Sie möglicherweise ausführlichere nationale Vorschriften. Überkleben oder verdecken Sie offene Kontakte, und verpacken Sie den Akku so, dass er sich in der Verpackung nicht umher bewegen kann.
11. **Entfernen Sie den Akku zum Entsorgen vom Werkzeug, und entsorgen Sie ihn an einem sicheren Ort. Befolgen Sie die örtlichen Vorschriften bezüglich der Entsorgung von Akkus.**
12. **Verwenden Sie die Akkus nur mit den von Makita angegebenen Produkten.** Das Einsetzen der Akkus in nicht konforme Produkte kann zu einem Brand, übermäßiger Hitzebildung, einer Explosion oder Auslaufen von Elektrolyt führen.
13. **Soll das Werkzeug längere Zeit nicht benutzt werden, muss der Akku vom Werkzeug entfernt werden.**
14. **Bei und nach dem Gebrauch kann der Akku heiß werden, was Verbrennungen oder Niedertemperaturverbrennungen verursachen kann. Beachten Sie die Handhabung von heißen Akkus.**

15. **Berühren Sie nicht den Anschlusskontakt des Werkzeugs unmittelbar nach dem Gebrauch, da er heiß genug werden kann, um Verbrennungen zu verursachen.**
16. **Achten Sie darauf, dass sich keine Späne, Staub oder Schmutz in den Anschlusskontakten, Löchern und Nuten des Akkus absetzen.** Es könnte sonst zu Erhitzung, Brandauslösung, Bersten und Funktionsstörungen des Werkzeugs oder des Akkus kommen, was zu Verbrennungen oder Personenschäden führen kann.
17. **Wenn das Werkzeug den Einsatz in der Nähe einer Hochspannungs-Stromleitung nicht unterstützt, benutzen Sie den Akku nicht in der Nähe einer Hochspannungs-Stromleitung.** Dies kann zu einer Funktionsstörung oder Betriebsstörung des Werkzeugs oder des Akkus führen.
18. **Halten Sie die Batterie von Kindern fern.**

DIESE ANWEISUNGEN AUFBEWAHREN.

⚠ VORSICHT: Verwenden Sie nur Original-Makita-Akkus. Die Verwendung von Nicht-Original-Makita-Akkus oder von Akkus, die abgeändert worden sind, kann zum Bersten des Akkus und daraus resultierenden Bränden, Personenschäden und Beschädigung führen. Außerdem wird dadurch die Makita-Garantie für das Makita-Werkzeug und -Ladegerät ungültig.

Hinweise zur Aufrechterhaltung der maximalen Akku-Nutzungsdauer

1. **Laden Sie den Akku, bevor er vollkommen erschöpft ist. Schalten Sie das Werkzeug stets aus, und laden Sie den Akku, wenn Sie ein Nachlassen der Werkzeugeistung feststellen.**
2. **Unterlassen Sie erneutes Laden eines voll aufgeladenen Akkus. Überladen führt zu einer Verkürzung der Nutzungsdauer des Akkus.**
3. **Laden Sie den Akku bei Raumtemperatur zwischen 10 – 40 °C. Lassen Sie einen heißen Akku abkühlen, bevor Sie ihn laden.**
4. **Wenn Sie den Akku nicht benutzen, nehmen Sie ihn vom Werkzeug oder Ladegerät ab.**
5. **Der Akku muss geladen werden, wenn er lange Zeit (länger als sechs Monate) nicht benutzt wird.**

FUNKTIONSBE- SCHREIBUNG

⚠ VORSICHT: Vergewissern Sie sich vor der Durchführung von Einstellungen oder Funktionsprüfungen des Werkzeugs stets, dass das Werkzeug ausgeschaltet und der Akku abgenommen ist.

Anbringen und Abnehmen des Akkus

⚠ VORSICHT: Schalten Sie das Werkzeug stets aus, bevor Sie den Akku anbringen oder abnehmen.

⚠ VORSICHT: Halten Sie das Werkzeug und den Akku beim Anbringen oder Abnehmen des Akkus sicher fest. Wenn Sie das Werkzeug und den Akku nicht sicher festhalten, können sie Ihnen aus der Hand rutschen, was zu einer Beschädigung des Werkzeugs und des Akkus und zu Körperverletzungen führen kann.

Richten Sie zum Anbringen des Akkus dessen Führungsfeder auf die Nut im Gehäuse aus, und schieben Sie den Akku hinein. Schieben Sie ihn vollständig ein, bis er mit einem leisen Klicken einrastet. Wenn Sie die rote Anzeige sehen können, wie in der Abbildung gezeigt, ist der Akku nicht vollständig verriegelt.

Ziehen Sie den Akku zum Abnehmen vom Werkzeug ab, während Sie den Knopf an der Vorderseite des Akkus verschieben.

► **Abb. 1:** 1. Rote Anzeige 2. Knopf 3. Akku

⚠ VORSICHT: Schieben Sie den Akku stets bis zum Anschlag ein, bis die rote Anzeige nicht mehr sichtbar ist. Anderenfalls kann er aus dem Werkzeug herausfallen und Sie oder umstehende Personen verletzen.

⚠ VORSICHT: Unterlassen Sie Gewaltanwendung beim Anbringen des Akkus. Falls der Akku nicht reibungslos hineingleitet, ist er nicht richtig ausgerichtet.

Werkzeug/Akku-Schutzsystem

Das Werkzeug ist mit einem Werkzeug/Akku-Schutzsystem ausgestattet. Dieses System schaltet die Stromversorgung des Motors automatisch ab, um die Lebensdauer von Werkzeug und Akku zu verlängern. Das Werkzeug bleibt während des Betriebs automatisch stehen, wenn das Werkzeug oder der Akku einer der folgenden Bedingungen unterliegt:

Überlastschutz

Wird das Werkzeug/der Akku auf eine Weise benutzt, die eine ungewöhnlich hohe Stromaufnahme bewirkt, bleibt das Werkzeug automatisch stehen. Schalten Sie in dieser Situation das Werkzeug aus, und brechen Sie die Arbeit ab, die eine Überlastung des Werkzeugs verursacht hat. Schalten Sie dann das Werkzeug wieder ein, um es neu zu starten.

Überhitzungsschutz

Wenn das Werkzeug/der Akku überhitzt wird, bleibt das Werkzeug automatisch stehen. Lassen Sie das Werkzeug/den Akku in dieser Situation abkühlen, bevor Sie das Werkzeug wieder einschalten.

Überentladungsschutz

Wenn die Akkukapazität unzureichend wird, bleibt das Werkzeug automatisch stehen. Nehmen Sie in diesem Fall den Akku vom Werkzeug ab, und laden Sie ihn auf.

Schutz gegen andere Ursachen

Das Schutzsystem ist auch für andere Ursachen ausgelegt, die eine Beschädigung des Werkzeugs bewirken könnten, und ermöglicht automatisches Anhalten des Werkzeugs. Führen Sie alle folgenden Schritte aus, um die Ursachen zu beseitigen, wenn das Werkzeug zu einem vorübergehenden Stillstand oder Betriebsstopp gekommen ist.

1. Schalten Sie das Werkzeug aus und wieder ein, um es neu zu starten.
2. Laden Sie den/die Akku(s) auf, oder tauschen Sie ihn/sie gegen einen aufgeladenen Akku/aufgeladene Akkus aus.
3. Lassen Sie das Werkzeug und den/die Akku(s) abkühlen.

Falls die Wiederherstellung des Schutzsystems keine Besserung bringt, wenden Sie sich an Ihre lokale Makita-Kundendienststelle.

Warnanzeige

Die Anzeigelampe am Push-Drive-Modus-Wahlschalter löst mit rot blinkenden Leuchten einen Alarm aus, wenn das Werkzeug unter den folgenden Betriebsbedingungen arbeitet.

► **Abb. 2:** 1. Anzeigelampe

Lampenstatus	Ursachen	Abhilfemaßnahmen
Schnelles Blinken (ca. Drittel-Sekunden-Intervalle)	Akku wird schwach	Laden Sie den Akku bei nächster Gelegenheit auf.
Verzögertes Blinken (ca. Ein-Sekunden-Intervalle)	Überhitzt	Lassen Sie das Werkzeug abkühlen, bevor Sie es wieder einschalten.

HINWEIS: Je nach Akkustatus und Betriebsbedingungen kann eine Tiefentladungswarnung erscheinen.

Anzeigen der Akku-Restkapazität

Nur für Akkus mit Anzeige

Drücken Sie die Prüftaste am Akku, um die Akku-Restkapazität anzuzeigen. Die Anzeigelampen leuchten wenige Sekunden lang auf.

► **Abb.3:** 1. Anzeigelampen 2. Prüftaste

Anzeigelampen			Restkapazität
Erleuchtet	Aus	Blinkend	
			75% bis 100%
			50% bis 75%
			25% bis 50%
			0% bis 25%
			Den Akku aufladen.
			Möglicherweise liegt eine Funktionsstörung im Akku vor.

HINWEIS: Abhängig von den Benutzungsbedingungen und der Umgebungstemperatur kann die Anzeige geringfügig von der tatsächlichen Kapazität abweichen.

HINWEIS: Die erste (äußerste linke) Anzeigelampe blinkt, wenn das Akku-Schutzsystem aktiv ist.

Einstellung für gewünschte Schraubenlängen

Für Modell DFR452 / DFR453

Das Werkzeug bietet 4 Einstellungen für formschlüssige Schraubenlängen. Schieben Sie den Tiefenanschlag heraus und hinein, und drücken Sie dabei die Hebel auf der Oberseite des Tiefenanschlags, so dass die Nummer für die gewünschte Schraubenlänge (auf dem Etikett angegeben) im Lesefenster erscheint. In der folgenden Tabelle finden Sie die Nummern, die Ihren gewünschten Schraubenlängen zugeordnet sind.

► **Abb.4:** 1. Tiefenanschlag 2. Hebel
3. Tiefeneinstellskala 4. Gehäuse

Auf dem Etikett angegebene Nummern	Schraubenlängenbereiche
20	20 mm (13/16")
25	25 mm - 28 mm (1" - 1-1/8")
32	28 mm - 35 mm (1-1/8" - 1-3/8")
41	35 mm - 41 mm (1-3/8" - 1-5/8")

Für Modell DFR551 / DFR552

Das Werkzeug bietet 7 Einstellungen für formschlüssige Schraubenlängen. Schieben Sie den Tiefenanschlag heraus und hinein, und drücken Sie dabei die Hebel auf der Oberseite des Tiefenanschlags, so dass die Nummer für die gewünschte Schraubenlänge (auf dem Etikett angegeben) im Lesefenster erscheint. In der folgenden Tabelle finden Sie die Nummern, die Ihren gewünschten Schraubenlängen zugeordnet sind.

► **Abb.5:** 1. Tiefenanschlag 2. Hebel
3. Tiefeneinstellskala 4. Gehäuse

Auf dem Etikett angegebene Nummern	Schraubenlängenbereiche
25	25 mm (1")
30	25 mm - 30 mm (1" - 1-3/16")
35	30 mm - 35 mm (1-3/16" - 1-3/8")
40	35 mm - 40 mm (1-3/8" - 1-9/16")
45	40 mm - 45 mm (1-9/16" - 1-3/4")
50	45 mm - 50 mm (1-3/4" - 2")
55	50 mm - 55 mm (2" - 2-3/16")

Einstellen der Eintreibtiefen

Drücken Sie die Vorderseite des Tiefenanschlags, und halten Sie den Zuführkasten bis zum Anschlag nach unten in das Gehäuse. Halten Sie ihn in dieser Position, und drehen Sie das Einstellrad so, dass die Spitze des Treiberbits ca. 6 mm aus der Vorderseite des Tiefenanschlags herauskommt.

Treiben Sie eine Probeschraube ein. Wenn der Schraubenkopf über der Werkstückoberfläche steht, drehen Sie das Einstellrad in Richtung A; wenn der Schraubenkopf unter der Oberfläche sitzt, drehen Sie das Einstellrad in Richtung B.

► **Abb.6:** 1. Ca. 6 mm 2. Tiefenanschlag
3. Zuführkasten 4. Gehäuse 5. Einstellrad

Einschalten

⚠️ WARNUNG: Vergewissern Sie sich vor dem Einsetzen des Akkus in das Werkzeug stets, dass der Ein-Aus-Schalter ordnungsgemäß funktioniert und beim Loslassen in die AUS-Stellung zurückkehrt.

Zum Starten des Werkzeugs betätigen Sie den Auslöseschalter. Die Werkzeugdrehzahl erhöht sich durch verstärkte Druckausübung auf den Auslöseschalter. Zum Anhalten lassen Sie den Auslöseschalter los.

Für Dauerbetrieb betätigen Sie den Auslöseschalter, drücken den Sperrknopf hinein, und lassen dann den Auslöseschalter los. Zum Ausrasten der Sperre betätigen Sie den Auslöseschalter bis zum Anschlag und lassen ihn dann los.

► **Abb.7:** 1. Griffschalter 2. Sperrknopf

Umschalten der Drehrichtung

⚠ VORSICHT: Prüfen Sie stets die Drehrichtung, bevor Sie mit der Arbeit beginnen.

⚠ VORSICHT: Betätigen Sie den Drehrichtungsumschalter erst, nachdem das Werkzeug völlig zum Stillstand gekommen ist. Durch Umschalten der Drehrichtung bei noch laufendem Werkzeug kann das Werkzeug beschädigt werden.

⚠ VORSICHT: Stellen Sie den Drehrichtungsumschalthebel stets auf die Neutralstellung, wenn Sie das Werkzeug nicht benutzen.

Dieses Werkzeug besitzt einen Drehrichtungsumschalter. Drücken Sie auf die Seite A des Drehrichtungsumschalthebels für Rechtsdrehung, und auf die Seite B für Linksdrehung. In der Neutralstellung des Drehrichtungsumschalthebels ist der Ein-Aus-Schalter verriegelt.

► **Abb.8:** 1. Umschalthebel der Drehrichtung

Push-Drive-Modus

Im Push-Drive-Modus dreht sich das Treiberbit nur durch Druckausübung auf die Eintreibfläche mit dem Tiefenanschlag, wodurch das Werkzeug im Leerlauf die Stromzufuhr zum Motor unterbrechen kann, um Akkustrom zu sparen.

Um den Push-Drive-Modus auszuwählen, ziehen Sie den Auslöseschalter leicht an, lassen Sie ihn dann los, und drücken Sie schnell die Moduswahl Taste. Die Anzeigelampe am Push-Drive-Modus-Wahlschalter leuchtet dann auf.

► **Abb.9:** 1. Moduswahl Taste 2. Anzeigelampe

HINWEIS: Der Push-Drive-Modus wird nach acht Stunden automatisch deaktiviert, wenn der Auslöseschalter eingerastet ist und keine weitere Schalterbetätigung erfolgt. Um das Werkzeug wieder zu starten, betätigen Sie den Auslöseschalter bis zum Anschlag, um den Sperrknopf auszurasten, und betätigen Sie den Auslöseschalter erneut.

Funktion zur Verhütung eines versehentlichen Wiederanlaufs

Das Werkzeug startet nicht, selbst wenn Sie den Akku bei betätigtem Auslöseschalter einsetzen. Zum Starten des Werkzeugs lassen Sie den Auslöseschalter zunächst los, bevor Sie ihn betätigen.

MONTAGE

⚠ VORSICHT: Vergewissern Sie sich vor der Ausführung von Arbeiten am Werkzeug stets, dass das Werkzeug ausgeschaltet und der Akku abgenommen ist.

Montieren und Demontieren des Treiberbits

⚠ VORSICHT: Achten Sie beim Zusammenbau der Komponenten und Anbauteile darauf, die scharfen Kanten der Schrauben nicht zu berühren.

⚠ VORSICHT: Behandeln Sie Zubehör und Aufsätze mit Sorgfalt. Achten Sie beim Installieren und Entfernen von Zubehör und Aufsätzen stets darauf, das Gehäuse fest zu halten. Anderenfalls können Ihnen die Zubehörteile und Aufsätze aus den Händen gleiten und herunterfallen.

⚠ VORSICHT: Halten Sie das Gehäuse beim Installieren und Entfernen von Aufsätzen fest.

⚠ VORSICHT: Schalten Sie beim Wechseln des Einsatzes immer den Schalter aus und entfernen Sie den Akku.

Montieren des Treiberbits

1. Um ein Treiberbit zu installieren, setzen Sie es bis zum Anschlag in die Spindelbohrung ein, während Sie die Spindel in das Antriebsgehäuse schieben und halten. Lassen Sie dann die Spindel los, um das Treiberbit zu sichern.

► **Abb.10:** 1. Treiberbit 2. Spindel 3. Antriebsgehäuse

2. Schieben Sie das Gehäuse in das Antriebsgehäuse und halten Sie dabei den Gehäusekörper fest, bis die Entriegelungstasten auf jeder Seite des Gehäuses mit einem leichten Klicken einrasten.

► **Abb.11:** 1. Gehäuse 2. Entriegelungstasten

Entfernen des Treiberbits

1. Halten Sie die Entriegelungstasten auf beiden Seiten des Gehäuses gedrückt, und ziehen Sie dann das Gehäuse auseinander.

► **Abb.12:** 1. Entriegelungstasten 2. Gehäuse

2. Um das Treiberbit zu entfernen, ziehen Sie es ab, während Sie die Spindel in das Antriebsgehäuse drücken und halten.

► **Abb.13:** 1. Treiberbit 2. Spindel 3. Antriebsgehäuse

Montage des Schraubengurts

⚠ VORSICHT: Schalten Sie beim Schneiden des Schraubengurts immer den Schalter aus und entfernen Sie den Akku.

Führen Sie den Schraubengurt durch die Schraubenführung ein. Schieben Sie ihn dann so weit durch die Magazinkammer, bis sich die erste Schraube in Einschraubposition befindet.

- **Abb.14:** 1. Schraubengurt 2. Schraubengurtführung
3. Gehäuse 4. Schraubenladeführung
5. Zuführkasten

ANMERKUNG: Achten Sie darauf, die erste Schraube in die zweite Reihe neben der Eintreibposition einzusetzen.

- **Abb.15:** 1. Erste Schraube 2. Schraubposition

Entfernen des Schraubengurts

⚠ VORSICHT: Entfernen Sie immer den Schraubengurt, bevor Sie den Aufsatz entfernen.

Um den Schraubengurt zu entfernen, ziehen Sie ihn nach oben aus dem Zuführkasten heraus.

- **Abb.16**

Der Schraubengurt kann nach unten aus dem Zuführkasten herausgezogen werden, während die Umschalttaste am Zuführkasten gedrückt wird.

- **Abb.17:** 1. Umschalttaste 2. Zuführkasten

Montieren des Aufhängers

⚠ WARNUNG: Verwenden Sie die Aufhänge-/Montage Teile nur für den bestimmungsgemäßen Gebrauch, z. B. zum Aufhängen des Werkzeugs an einem Werkzeuggürtel zwischen Arbeitseinsätzen oder Arbeitsintervallen.

⚠ WARNUNG: Achten Sie darauf, den Aufhänger nicht zu überlasten, da zu viel Kraft oder unregelmäßige Überlastungen Beschädigungen am Werkzeug verursachen können, die zu Verletzungen führen können.

⚠ VORSICHT: Wenn Sie den Aufhänger anbringen, sichern Sie ihn immer einwandfrei mit der Schraube. Anderenfalls kann sich der Aufhänger vom Werkzeug lösen und Personenschaden verursachen.

⚠ VORSICHT: Achten Sie darauf, dass Sie das Werkzeug sicher aufhängen, bevor Sie den Griff loslassen. Unzureichendes oder unausgewogenes Einhängen kann ein Herunterfallen verursachen, und Sie können sich verletzen.

- **Abb.18:** 1. Führungsnut 2. Aufhänger 3. Schraube

Der Aufhänger ist praktisch, um das Werkzeug vorübergehend aufzuhängen. Der Aufhänger kann auf beiden Seiten des Werkzeugs angebracht werden. Um den Aufhänger anzubringen, führen Sie ihn in die Nut entweder auf der linken oder rechten Seite des Werkzeuggehäuses ein, und sichern Sie ihn dann mit einer Schraube. Um den Aufhänger zu entfernen, lösen Sie die Schraube, und nehmen Sie dann den Aufhänger heraus.

Verwendung der Öse

⚠ WARNUNG: Verwenden Sie die Aufhängeöse niemals für einen unbeabsichtigten Zweck, z. B. zum Anbinden des Werkzeugs an einer hoch gelegenen Position. Die Lagerbelastung in einer stark belasteten Öse kann Beschädigungen an der Öse verursachen, die zu Verletzungen bei Ihnen oder Personen in Ihrer Umgebung oder unterhalb von Ihnen führen können.

Verwenden Sie die Aufhängeöse an der unteren Rückseite des Werkzeugs, um das Werkzeug unter Verwendung eines Aufhängekabels oder ähnlicher Schnüre an eine Wand zu hängen.

- **Abb.19:** 1. Aufhängeöse

ARBEIT

Schraubetrieb

ANMERKUNG: Überprüfen Sie das Treiberbit vor Schraubarbeiten immer sorgfältig auf Verschleiß. Ersetzen Sie ein verschlissenes Treiberbit, anderenfalls kann es zu mangelhafter Befestigung kommen.

ANMERKUNG: Halten Sie das Werkzeug stets rechtwinklig zur Eintreibfläche. Wird es schräg gehalten, können die Schraubenköpfe beschädigt werden, und es kann Verschleiß des Treiberbits verursacht werden. Dies kann auch zu mangelhafter Befestigung führen.

ANMERKUNG: Halten Sie das Werkzeug stets fest gegen die Eintreibfläche gedrückt, bis der Eintreibvorgang abgeschlossen ist. Anderenfalls kann es zu unzureichender Befestigung von Schrauben kommen.

ANMERKUNG: Achten Sie darauf, dass Sie keine Schraube auf eine bereits eingetriebene andere Schraube eintreiben.

ANMERKUNG: Betreiben Sie das Werkzeug nicht ohne Schrauben. Dadurch wird die Eintreibfläche beschädigt.

ANMERKUNG: Tragen Sie kein Öl oder Schmierfett auf die Gleitfläche des Zuführkastens auf.

Schalten Sie das Werkzeug ein, indem Sie den Auslöseschalter betätigen. Halten Sie das Werkzeug fest und gerade zum Werkstück. Die Schraube wird dann automatisch zur Einschraubposition transportiert und in das Werkstück geschraubt.

- **Abb.20**

Eintreibbetrieb im Push-Drive-Modus

1. Ziehen Sie den Auslöseschalter leicht an, und lassen Sie ihn wieder los. Drücken Sie dann schnell die Moduswahltaaste.

Die Anzeigelampe am Push-Drive-Modus-Wahlschalter leuchtet auf, und der Push-Drive-Modus wird aktiviert.

► **Abb.21:** 1. Moduswahltaaste 2. Anzeigelampe

2. Drücken Sie den Sperrknopf hinein, während Sie den Auslöseschalter betätigen, und lassen Sie dann den Auslöseschalter los.

► **Abb.22:** 1. Sperrknopf 2. Auslöseschalter

HINWEIS: Während der Auswahl des Push-Drive-Modus und der Verriegelung des Auslösers dreht sich der Motor im Leerlauf nicht, um den Stromverbrauch zu minimieren.

3. Halten Sie das Werkzeug rechtwinklig zur Eintreibfläche, und üben Sie Vorwärtsdruck auf das Werkzeug aus.

Die Schraube wird automatisch zur Eintreibposition befördert und mit voller Drehzahl eingetrieben.

► **Abb.23**

Schrauben in Ecken

VORSICHT: Das Eintreiben an einer Position, die näher als 15 mm an der Wand ist, oder das Eintreiben mit dem Tiefenanschlag in Kontakt mit der Wand kann die Schraubenköpfe beschädigen und Verschleiß am Treiberbit verursachen. Dies kann auch zu mangelhafter Befestigung von Schrauben und einer Funktionsstörung des Werkzeugs führen.

Dieses Werkzeug kann zum Eintreiben an einer Position 15 mm von der Wand entfernt verwendet werden, wie in der Abbildung gezeigt.

► **Abb.24:** 1. Wand 2. Tiefenanschlag 3. 15 mm

Lösebetrieb

VORSICHT: Prüfen Sie stets die Drehrichtung, bevor Sie mit der Arbeit beginnen.

VORSICHT: Betätigen Sie den Drehrichtungsumschalter erst, nachdem das Werkzeug völlig zum Stillstand gekommen ist. Durch Umschalten der Drehrichtung bei noch laufendem Werkzeug kann das Werkzeug beschädigt werden.

Mit dem Werkzeug können Sie die Drehrichtung des Treiberbits ganz einfach ändern, entweder nach rechts (im Uhrzeigersinn), um eine Schraube anzuziehen, oder nach links (gegen den Uhrzeigersinn), um eine Schraube zu lösen.

1. Drücken Sie den Drehrichtungsumschalthebel für Drehung gegen den Uhrzeigersinn auf der Seite B hinein.

► **Abb.25:** 1. Drehrichtungsumschalthebel

2. Halten Sie die Entriegelungstasten auf beiden Seiten des Gehäuses gedrückt, und ziehen Sie dann das Gehäuse auseinander.

► **Abb.26:** 1. Entriegelungstasten 2. Gehäuse

3. Führen Sie die Spitze des Treiberbits in den Kopf der zu lösenden Schraube ein.

4. Halten Sie das Werkzeug fest gegen die Schraube gedrückt, und drücken Sie den Auslöseschalter, um den Vorgang zu starten.

► **Abb.27:** 1. Treiberbit 2. Schraubenkopf
3. Auslöseschalter

5. Setzen Sie das Gehäuse nach Abschluss des Vorgangs wieder auf das Antriebsgehäuse, bis es einrastet.

WARTUNG

VORSICHT: Vergewissern Sie sich vor der Durchführung von Inspektions- oder Wartungsarbeiten stets, dass das Werkzeug ausgeschaltet und der Akku abgenommen ist.

ANMERKUNG: Verwenden Sie auf keinen Fall Benzin, Waschbenzin, Verdünner, Alkohol oder dergleichen. Solche Mittel können Verfärbung, Verformung oder Rissbildung verursachen.

Um die SICHERHEIT und ZUVERLÄSSIGKEIT dieses Produkts zu gewährleisten, sollten Reparaturen und andere Wartungs- oder Einstellarbeiten nur von Makita-Vertragswerkstätten oder Makita-Kundendienstzentren unter ausschließlicher Verwendung von Makita-Originalersatzteilen ausgeführt werden.

Nach der Benutzung

Wischen Sie das Werkzeug in regelmäßigen Abständen mit einem trockenen oder leicht mit Seifenwasser angefeuchteten Tuch ab.

SONDERZUBEHÖR

VORSICHT: Die folgenden Zubehörteile oder Vorrichtungen werden für den Einsatz mit dem in dieser Anleitung beschriebenen Makita-Werkzeug empfohlen. Die Verwendung anderer Zubehörteile oder Vorrichtungen kann eine Verletzungsgefahr darstellen. Verwenden Sie Zubehörteile oder Vorrichtungen nur für ihren vorgesehenen Zweck.

Wenn Sie weitere Einzelheiten bezüglich dieser Zubehörteile benötigen, wenden Sie sich bitte an Ihre Makita-Kundendienststelle.

- Trockenbau-Schraubengurt
- Phillips-Einsatz
- Vierkantbit
- Pozidriv-Bit
- Gehäuse
- Original-Makita-Akku und -Ladegerät

HINWEIS: Manche Teile in der Liste können als Standardzubehör im Werkzeugsatz enthalten sein. Sie können von Land zu Land unterschiedlich sein.

Makita Europe N.V.

Jan-Baptist Vinkstraat 2, 3070 Kortenberg, Belgium

Makita Corporation

3-11-8, Sumiyoshi-cho, Anjo, Aichi 446-8502 Japan

www.makita.com



885A60-970 EN, PL, HU, SK, CS, UK, RO, DE 20231213
