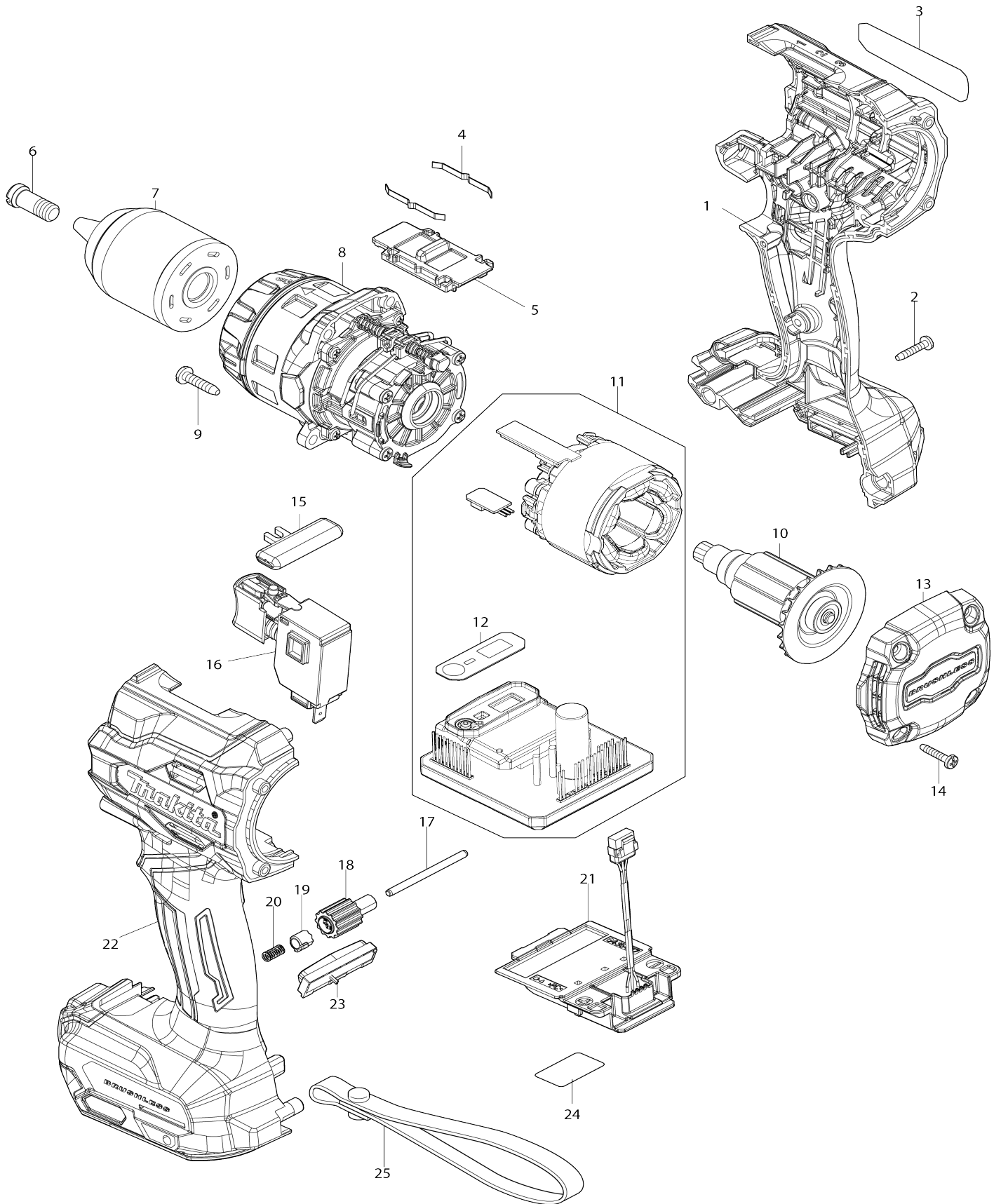


# Model No.DF003G CORDLESS DRIVER DRILL



**Model No.DF003G CORDLESS DRIVER DRILL**

Item No.	Parts No.	Description	Interchangeability	Q'ty	New/Old	Note1	Note2
001	1831V5-6	Housing set		1			
C10	263005-3	Rubber pin 6		2			
C20	422569-8	Sponge sheet		2			
C30	252126-6	Hex. lock nut M4-7		2			
001		INC. 22					
002	266130-9	Binding head tapping screw 3X16		7			
003	8151Y0-6	Name plate DF003G		1			
004	232220-0	Leaf spring		2			
005	162E02-5	SPEED CHANGE LEVER COMPLETE		1			
006	265E30-0	- COUNTERSUNK HEAD SCREW M8X22		1			
007	763269-4	KEYLESS DRILL CHUCK 13		1			
008	122J19-0	GEAR ASSEMBLY		1			
009	266326-2	Binding head tapping screw 4X18		4			
010	619907-5	ROTOR		1			
011	529D23-8	Stator assembly 36V		1			
011		INC. 12					
012	8091G8-4	Switch label		1			
013	4132W4-0	REAR COVER		1			
014	266130-9	Binding head tapping screw 3X16		4			
015	419041-9	F/R change lever		1			
016	650710-5	Switch C3JW-4B		1			
017	256949-4	Rod 3		1			
018	140R76-4	Dial complete		1			
019	313288-6	Dial cam		1			
020	232597-3	Compression spring 3		1			
021	632W77-1	TERMINAL UNIT		1			
022	1831V5-6	Housing set		1			
C10	263005-3	Rubber pin 6		2			
C20	422569-8	Sponge sheet		2			
C30	252126-6	Hex. lock nut M4-7		2			
022		INC. 1					
023	620R06-6	LED CIRCUIT		1			
024	8151Y2-2	Serial No. label DF003G		1			
A01	122J21-3	GRIP ASSEMBLY		1			
A02	251314-2	Truss head screw M4X12		2			
A03	346317-0	Hook		1			
A04	452947-8	Bit holder		1			
A05	784637-8	Phillips slotted bit 2-45		2			
A06B	821551-8	Connector plastic case (type 3)		1			
C10	453974-8	Latch		4			
A07B	836548-4	Inner tray		1			
A08B	412393-7	Battery cover		2			
A09B	***DC40RA	DC40RA FAST CHARGER		1			
A09B		COMPO-PARTS					

A10B	1910N6-8	Battery BL4040F set		2			
F02	1917P9-8	DRILL STAND SET		1			
F03	1917P9-8	DRILL STAND SET		1			

Please state Parts No. when your order.

Print Date 10/20/2025